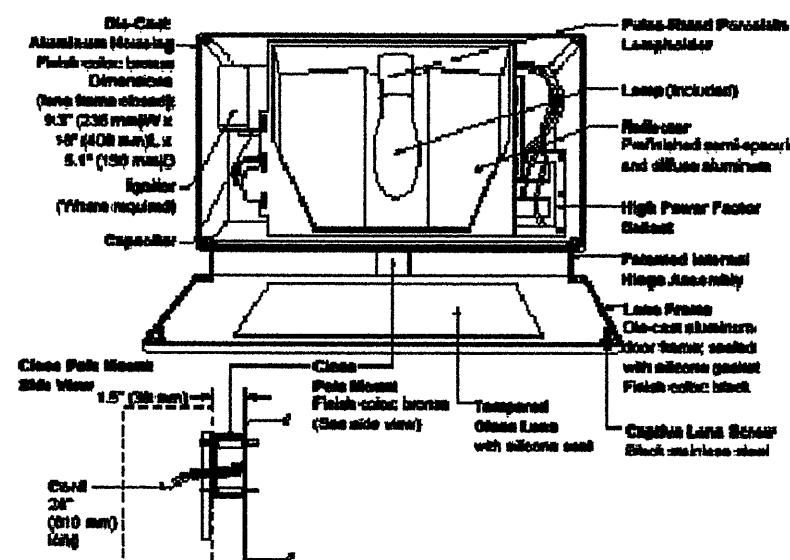


1-1/2" GLOBE POLE MOUNT
RECTANGULAR PARKING/ROADWAY FLOOD

LPR1
SERIES



Notes
Type SA
LPR1417-M

TYPE #	MATERIAL	CATALOG #	(C) VOLTAGE SURFACE FEET	(D) OPTICS (factory-installed)
FINISH				
-1/2" Finish				
-1/2" Tamperproof Lens Finishes				
-1/2" Butte Photocell				
-SP External Photocell (see 480V)				
Specify (4) Shock Voltage - See Voltage Rating				
ACCESSORIES				
LS-4 Polycarbonate Vandal Shield (not for use with fixtures in upright position)				
SM-4 Backlight Shield				
SPS-1 Tamperproof Screwdriver				
WB-4 Wire Guard				

GENERAL DESCRIPTION
Parking lot and roadway luminaire for HID lamp, totally enclosed. Supplied with 182 Type III asymmetric distribution pattern. Housing is seamless, die-cast aluminum. Mounting consists of a 1.5" (38 mm) long extruded aluminum arm. The arm is held in place with two 3/8" (9.5 mm) mounting rods fastened to a steel backing plate inside the pole, and by two nuts inside the fixture housing. Mounting rods are provided with sealing washers to prevent water leakage. Lens assembly consists of rigid aluminum frame and high-impact clear-tempered glass.

ELECTRICAL
Fixture includes clear, medium-base lamp. Polysulfone porcelain enclosed, 400-rated screw-type lampholder. Lamp ignitor included where required. All ballast assemblies are high-power factor and use the following circuit types:
Resistor (27V PSMH)
150W PSMH
Resistor
120V: 35 - 150W HPS
HX - High Reactance
50 - 100W MH; 50 - 150W HPS
CWA - Constant Voltage Autotransformer
125 & 150W PSMH; 175W MH

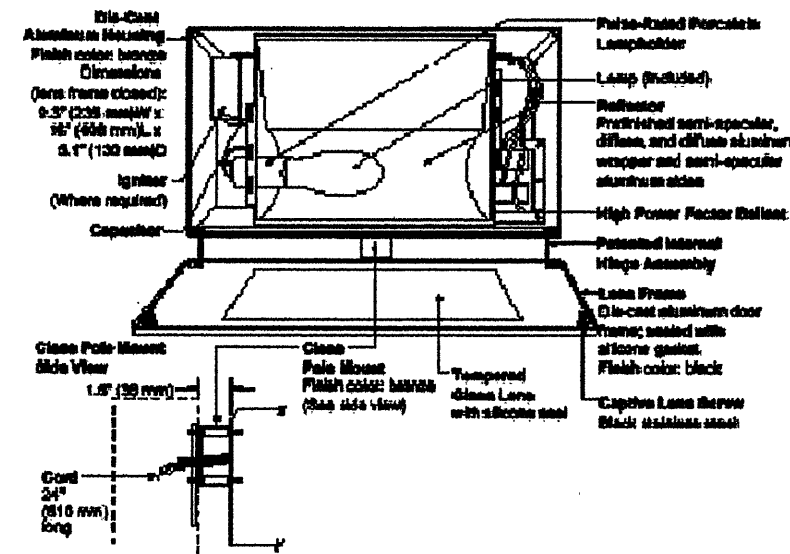
FINISH
Exclusive DeltaQuartz® finish features an E-coat epoxy primer with medium bronze ultra-durable powder topcoat, providing excellent resistance to corrosion, ultraviolet degradation and abrasion. The finish is covered by our seven-year limited warranty.

PATENT
US 4,688,728

9261 Washington Avenue Racine, Wisconsin 53406-3772 USA PHONE (262) 896-1900 FAX (262) 894-3300
© Road Lighting Inc. Printed in USA www.roadlighting.com 1991-2009

1-1/2" GLOBE POLE MOUNT
RECTANGULAR AREA CUTOFF FLOOD

LAC1
SERIES



Notes
Type SA1
LAC1417-M

TYPE #	MATERIAL	CATALOG #	(C) VOLTAGE SURFACE FEET	(D) OPTICS (factory-installed)
FINISH				
-1/2" Finish				
-1/2" Tamperproof Lens Finishes				
-1/2" Butte Photocell				
-SP External Photocell (see 480V)				
Specify (4) Shock Voltage - See Voltage Rating				
ACCESSORIES				
LS-4 Polycarbonate Vandal Shield (not for use with fixtures in upright position)				
SM-4 Backlight Shield				
SPS-1 Tamperproof Screwdriver				
WB-4 Wire Guard				

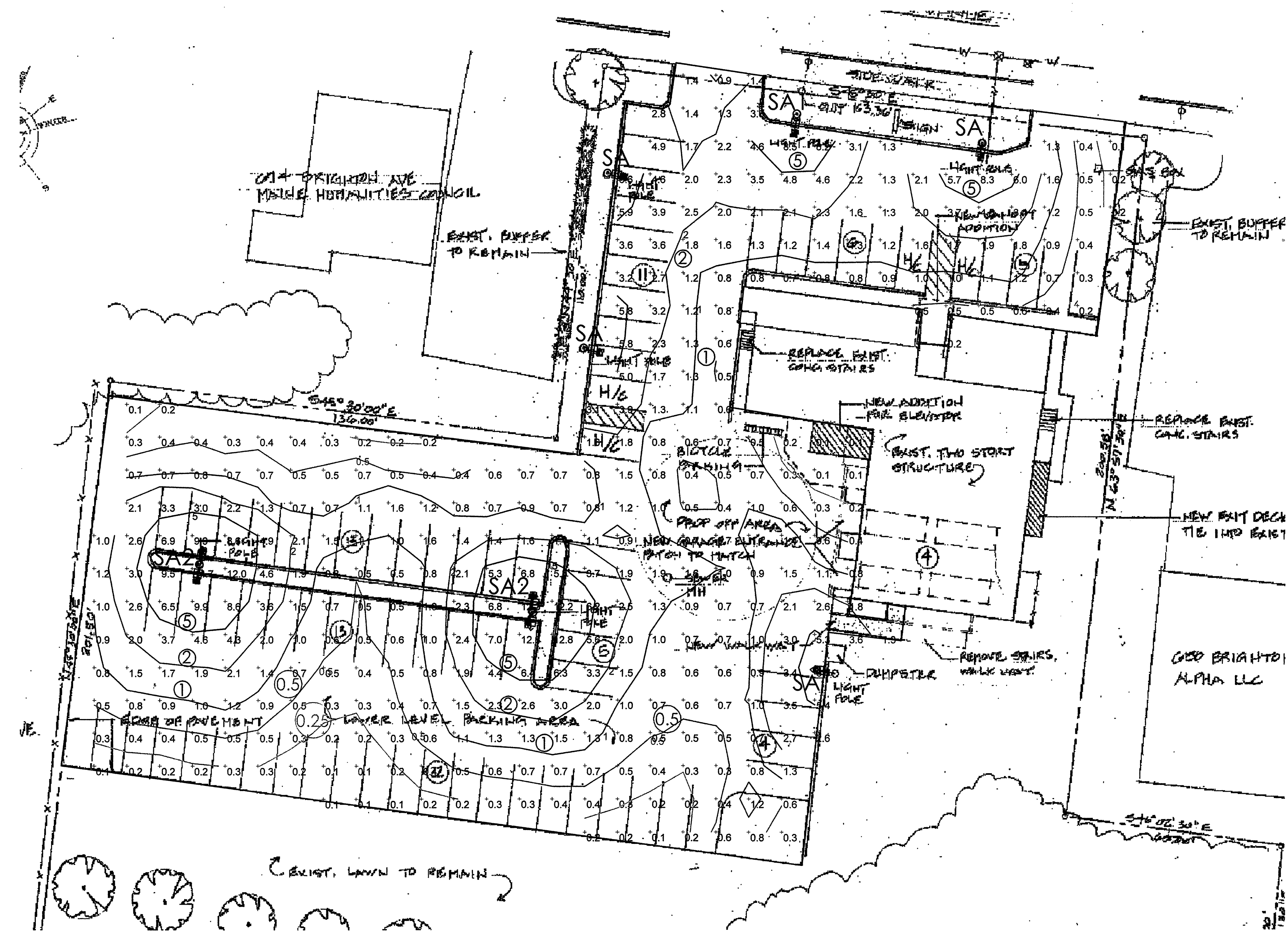
GENERAL DESCRIPTION
60° forward throw sharp cutoff luminaire for HID lamp, totally enclosed. Housing is seamless, die-cast aluminum. Mounting consists of a 1.5" (38 mm) wide by 2.5" (64 mm) high by 1.5" (38 mm) long extruded aluminum arm. The arm is held in place with two 3/8" (9.5 mm) mounting rods fastened to a steel backing plate inside the pole, and by two nuts inside the fixture housing. Mounting rods are provided with sealing washers to prevent water leakage. Lens assembly consists of rigid aluminum frame and high-impact clear-tempered glass, with gasketed lens frame.

ELECTRICAL
Fixture includes clear, medium-base lamp. Polysulfone porcelain enclosed, 400-rated screw-type lampholder with quick disconnect. 150°C temperature epoxy wire resistor. Lamp ignitor included where required. All ballast assemblies are high-power factor and use the following circuit types:
Resistor (27V PSMH)
150W PSMH
Resistor
120V: 35 - 150W HPS
HX - High Reactance
50 - 100W MH; 50 - 150W HPS
CWA - Constant Voltage Autotransformer
125 & 150W PSMH; 175W MH

FINISH
Exclusive DeltaQuartz® finish features an E-coat epoxy primer with medium bronze ultra-durable powder topcoat, providing excellent resistance to corrosion, ultraviolet degradation and abrasion. The finish is covered by our seven-year limited warranty.

PATENT
US 4,688,728

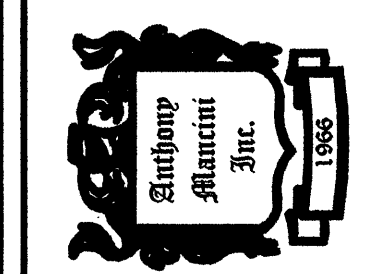
9261 Washington Avenue Racine, Wisconsin 53406-3772 USA PHONE (262) 896-1900 FAX (262) 894-3300
© Road Lighting Inc. Printed in USA www.roadlighting.com 1991-2009



Hutchins Funeral Home				
QUANTITY	TYPE	MANUFACTURE/CAT. NUMBER	DESCRIPTION	LAMPS
3	SA	RUUD LPR1417-M/PS4S17C1BZ	175W MH ROADWAY FLOOD/17' POLE - SINGLE HEAD	175 MH
2	SA1	RUUD LAC1417-M/PS4S17C1BZ	175W MH CUTOFF FLOOD/17' POLE - SINGLE HEAD	175 MH
2	SA2	RUUD LAC1417-M & LPR1417-M/PS4S17C2BZ	175W MH CUTOFF FLOOD/17' POLE - TWIN at 180°	175 MH

PHOTOMETRIC STATISTICS				
DESCRIPTION	AVG.	MIN.	MAX.	MAX/MIN
CALCULATION ZONE #1	1.21 FC	0.3 FC	5.0 FC	20.0:1

Anthony Mancini, Inc.
179 SHERIDAN ST.
PORTLAND, ME 04101
P: (207) 774-5829 F: (207) 772-1686
E: info@mancinielectrics.com
"We appreciate Your Business."



NO.	DATE	DESCRIPTION

PROJECT NAME & ADDRESS:
Hutchins Funeral Home
660 Brighton Ave
Portland, Maine

SHEET NAME:
Photometric Layout
Checked By: G. MANCINI
Drawn By: A. AMES
Date: 09.18.2009
Scale:

SHEET:
E1

September 18, 2009
Building Permit Submission
Review and Approval
NOT FOR CONSTRUCTION