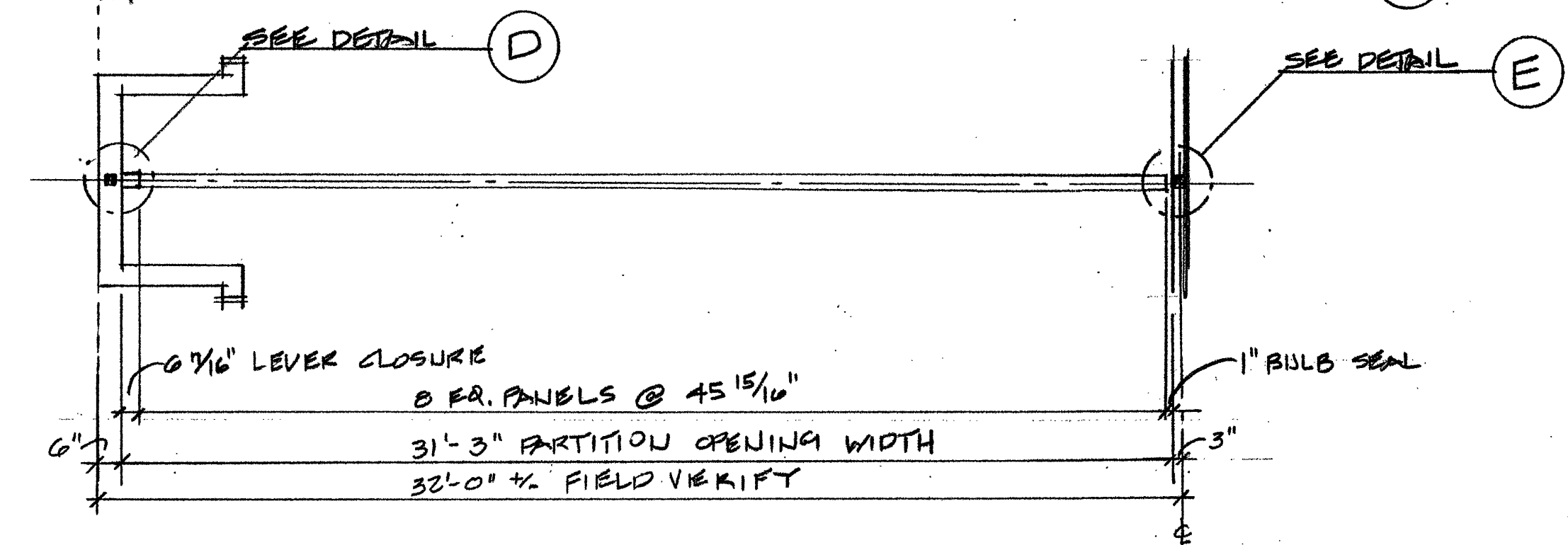
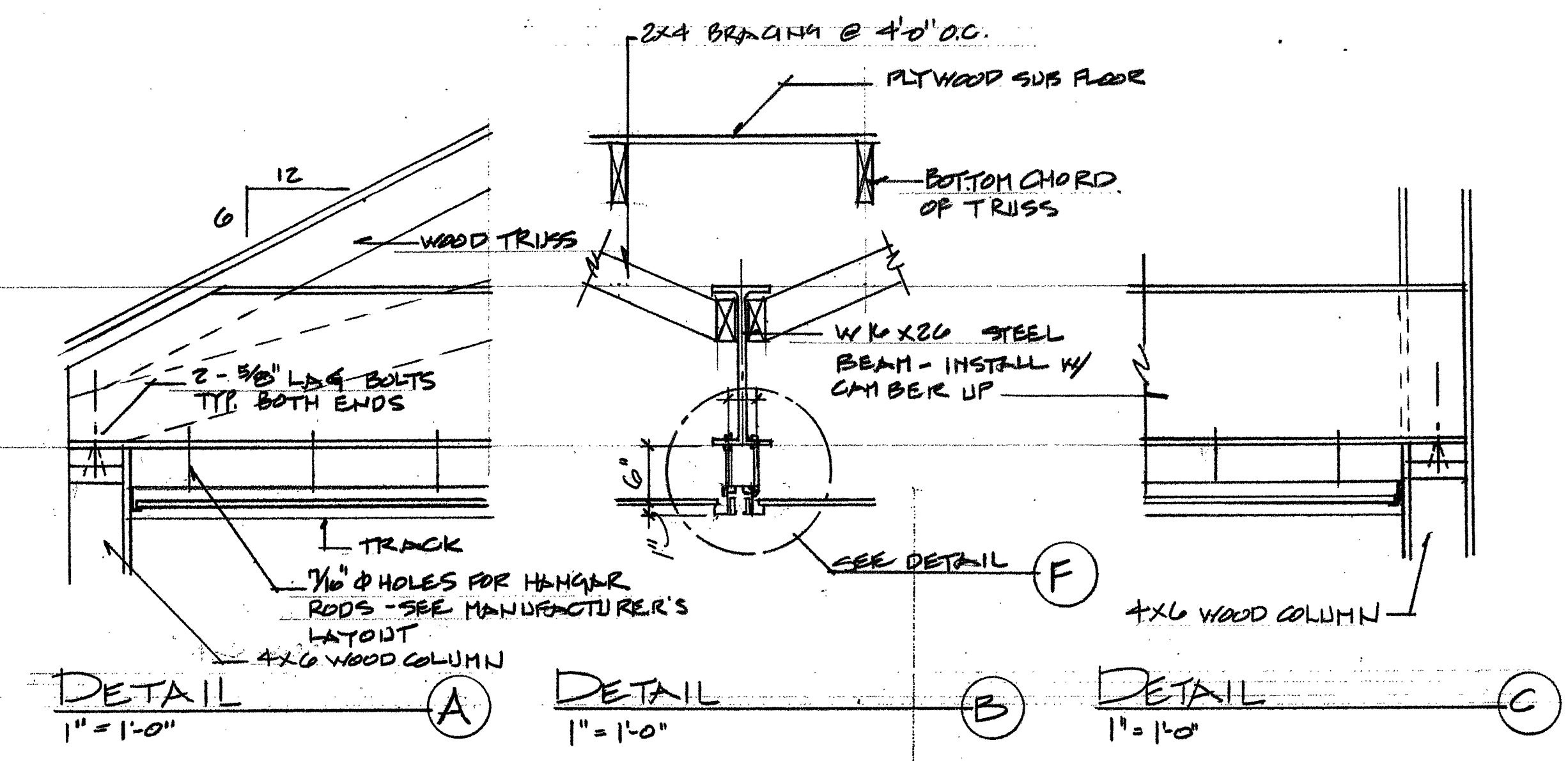


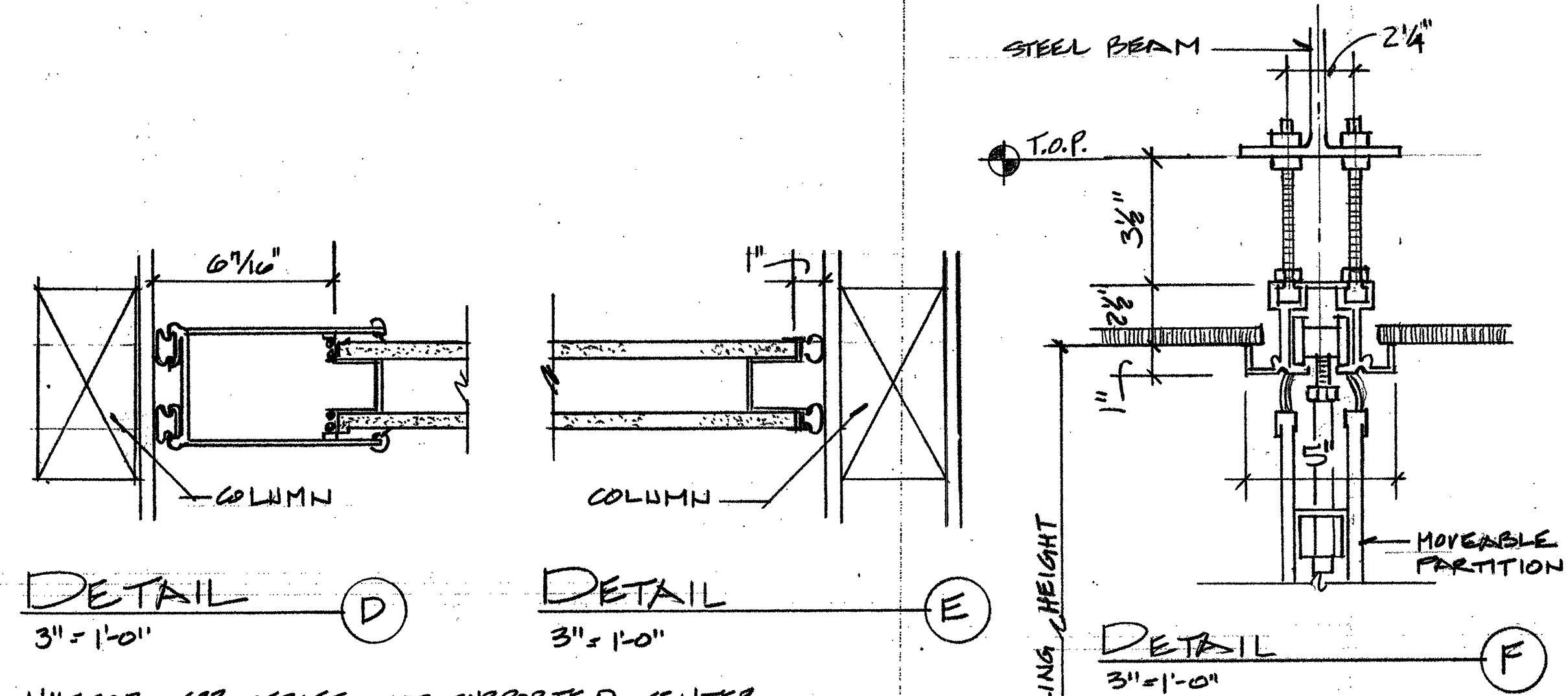
BUILDING SECTION @ MOVEABLE PARTITION (A)



FLOOR PLAN @ MOVEABLE PARTITION (A)

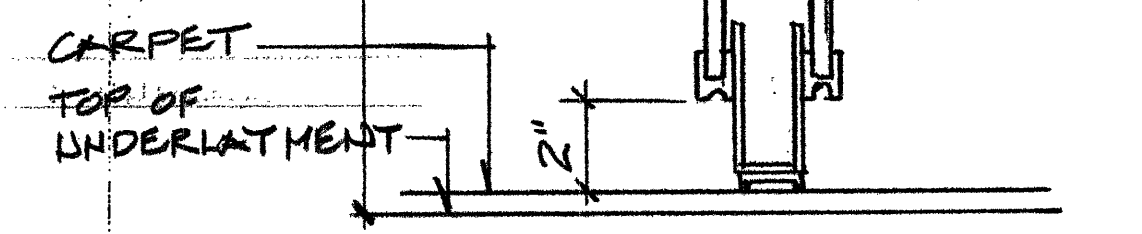


DETAIL A 1"=1'-0" DETAIL B 1"=1'-0" DETAIL C 1"=1'-0"



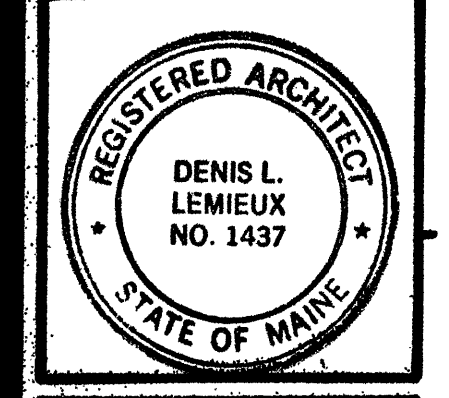
DETAIL D 3"=1'-0" DETAIL E 3"=1'-0" DETAIL F 3"=1'-0"

HUPCOR 652 SERIES, TOP SUPPORTED, CENTER STACK, PAIRED PANEL, MANUALLY OPERATED MOVEABLE PARTITIONS, ETC. 49



SILL DETAIL 3"=1'-0"

NO.	REVISIONS	DATE	BY



Project Title
Hutchins Funeral Home
 660 Brighton Avenue
 Portland, Maine

Drawing Title
**Building Section at
 Moveable Partition**

Scale
 Dwn. By
 Ckd. By
 Date

Project No.
0813

Sub Title

Drawing No.
A-3.3

D.L. Associates / Architects 207.342-6611 DLALIA@AOL.COM