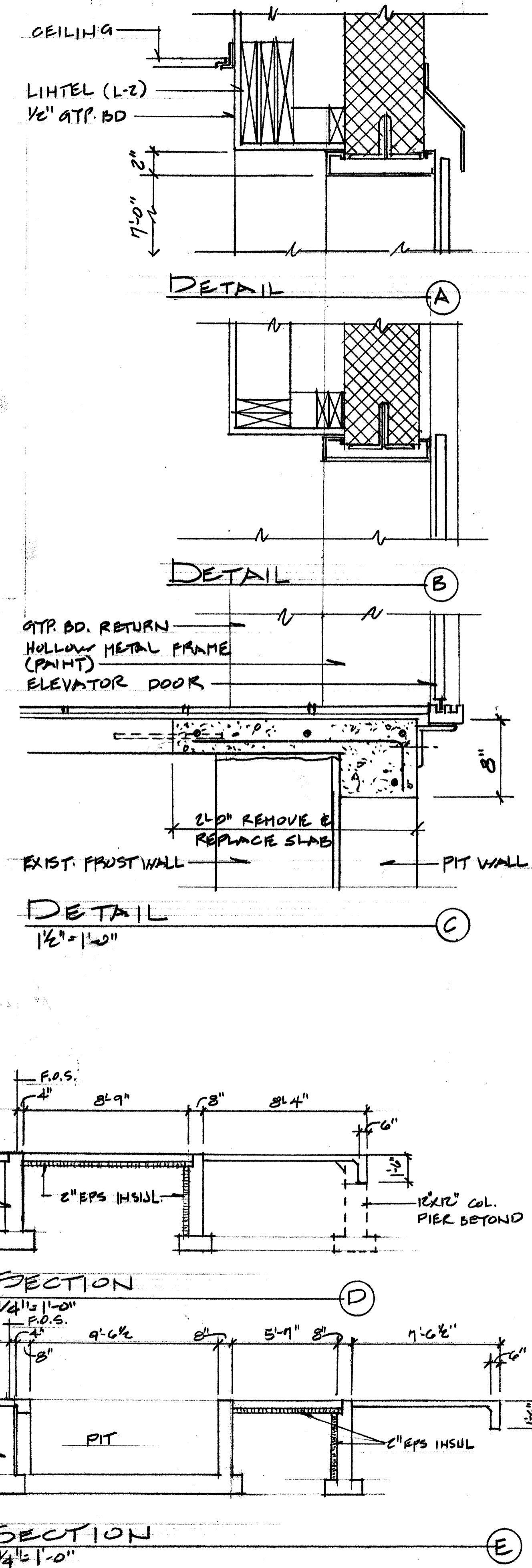
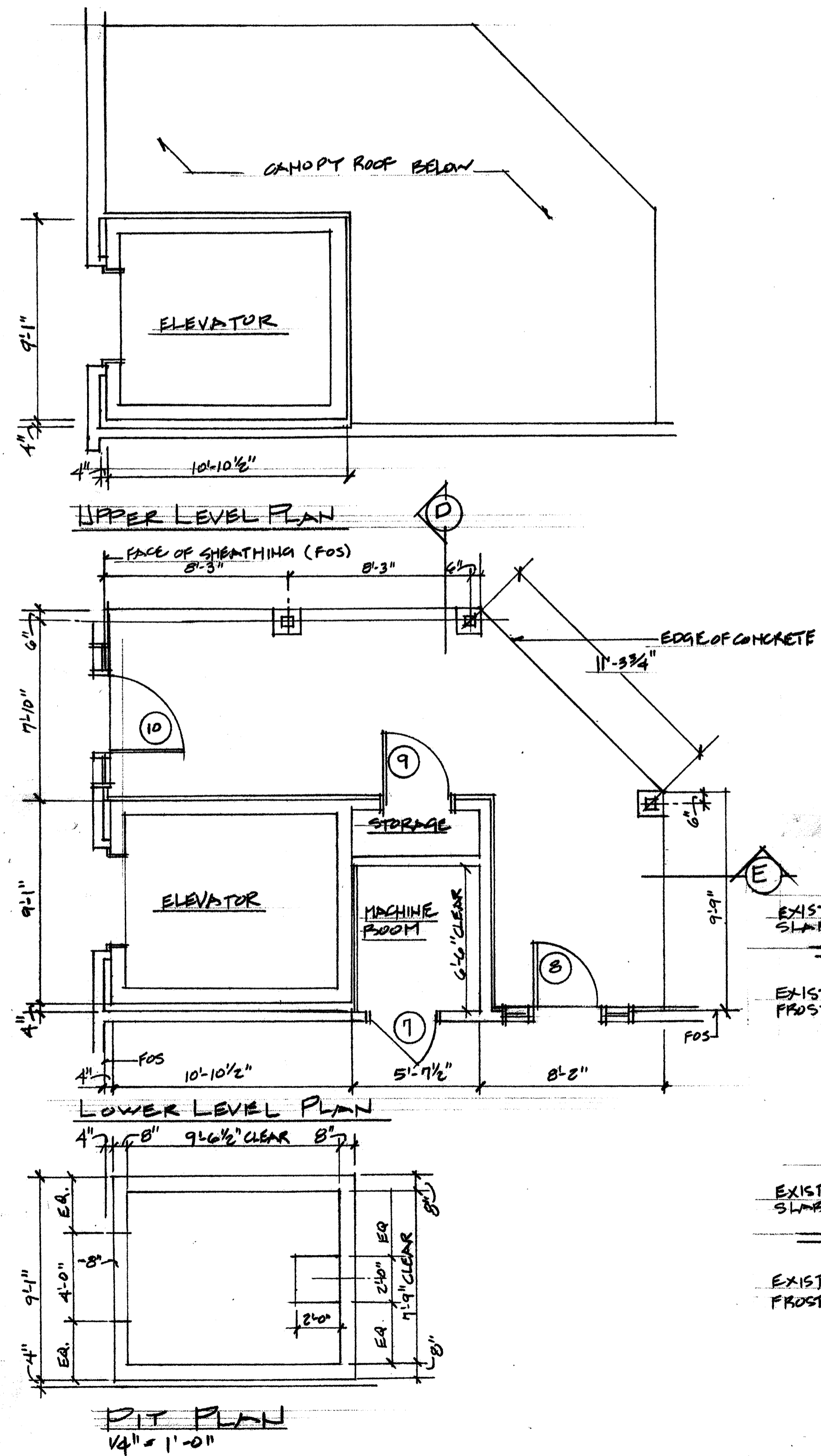


SECTION @ ELEV. SHAFT  
ELEVATOR DETAILS  
1/2" = 1'-0"



October 28, 2009  
Issued for Construction

Project Title	<b>Hutchins Funeral Home</b> 660 Brighton Avenue Portland, Maine		
Drawing Title	<b>Elevator Details</b>		
Project No.	0813		
Sub Title			
Drawing No.	A-8.0		
Scale	NOTED	Dwn.By	PLL
Ckd.By		Date	
Revisions	No.	Date	By

