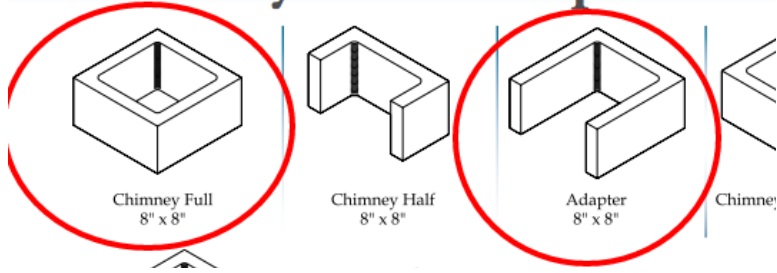
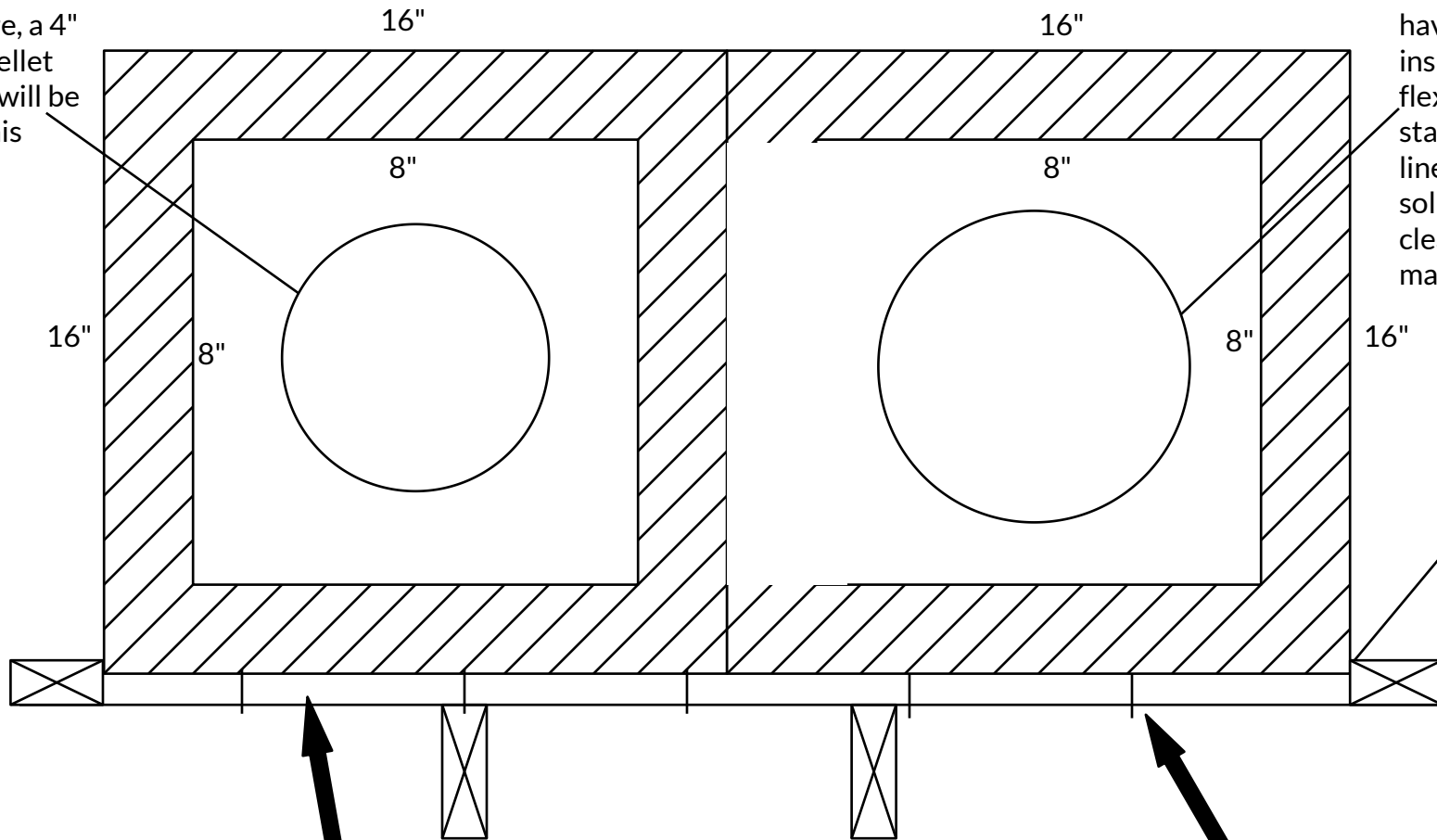


# Chimney Block Shapes



Double chimney will be built using Genest Concrete Chimney Blocks. Each course will use one 8x8 chimney full and one 8x8 adapter, alternating on the way up. This creates two 8x8 chambers separated by 4", as code requires.

In the future, a 4" insulated pellet stove liner will be added to this chamber



This column will have an insulated, 6" flexible 2-ply stainless steel liner rated for solid fuels and 0" clearance to masonry.

Less than 1" overlap between combustible sheathing and chimney corners

1" clearance to combustible wall

Wall ties will be spaced ~6" apart through every course of blocks