

Submittal Data: 15RLS3H

15,000 BTU Heat Pump System

Inverter Driven Heat Pump

Job Name: Ben Spike

Date: 7/17/15

Location: 304 Capisic Street

Approval: _____

Engineer: n/a

Construction: _____

Submitted to: City of Portland

Unit #: _____

Submitted by: Doggen Energy

Drawing #: _____

Reference: n/a

General Features

- Refrigerant Type R410A.
- Human Sensor
- Wired and wireless remote controllers
- Double swing automatic
- Automatic airflow adjustment
- Low noise mode
- Powerful mode
- 5- Years Parts, 7-Years Compressor Warranty (See Warranty Statement for details)
- Program timer
- Weekly time

Model Information

Outdoor..... AOUI5RLS3H

Indoor..... ASU15RLS3

Electrical..... 208/230V AC 1ph-60Hz

Available Voltage Range..... 208/230 +/- 10%

Minimum Circuit Ampacity..... 18.2 A

Max Fuse Size..... 20A

Max Starting Current..... 5.2 A

Input Power

Cooling..... 1.04 kW

Heating..... 1.15 kW

Running Current

Cooling..... 4.8 A

Heating..... 5.2 A

Capacity

Nominal Cooling..... 15,000 Btu

Min-Max Cooling..... 3,100-18,400 Btu/h

Nominal Heating..... 18,000 Btu/h

Min-Max Heating..... 3,100-23,900 Btu/h

Compressor..... Rotary (inv x1)

Motor Output..... 1,000 W

Refrigerant..... R410a

Charge..... 3 lbs. 1 oz

Oil..... FREOL a68SZ

Fan Motor

(Condenser) Type: DC..... Propeller x 1

(Condenser) Motor Output..... 49 W

(Evaporator) Type: DC..... Cross flow fan x1

(Evaporator) Motor Output..... 61 W

Heat Exchanger {Condenser (C) Evaporator (E)}

Dimensions (H x W x D)

Condenser..... 23-1/8 x 34-11/16 x 1-7/16 in. (588x881x36.4 mm)

Evaporator..... Main 15-1/8 x 28-3/8 x 1-3/16 in. (384x720x30) Sub 3-5/16 x 28-3/8 x 1/2 in. (84x720x13.3 mm) 4-15/16 x 28-3/8 x 1/2 in. (126x720x13.3 mm)

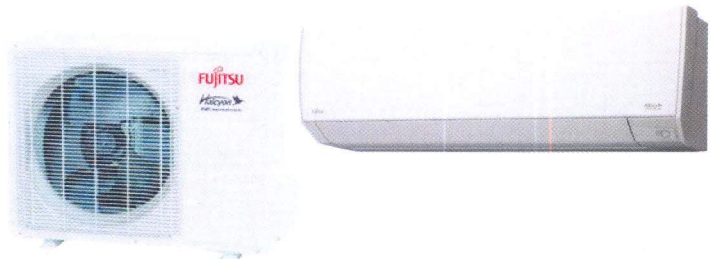
Fin Pitch..... 20 FPI (C) Main 21 FPI Sub 18 FPI (E)

Rows x Stages..... 2 x 28 (C) Main 3 x 24 Sub 1 x 10 (E)

Pipe Type (Material)..... Copper (C) Copper (E)

Fin Type (Material)..... Aluminum (C) Aluminum (E)

Note: Specifications are based on the following conditions:
Cooling: In or temperature of 80°F (26.7°C) DB/67°F (19.44°C) WB, and outdoor temperature of 95°F (35°C) DB/75°F (23.9°C) WB.
Heating: In or temperature of 70°F (21.1°C) DB/59°F (15.5°C) WB, and outdoor temperature of 47°F (8.33°C) DB/43°F (6.11°C) WB.
Pipe length: 24ft. 7in. (7.5m). Height difference: 0ft. (0m) (Outdoor unit – indoor unit)



Operation Temperature Range

Cooling..... 14°F (-10°C) to 115°F (46°C)

Heating..... -15°F (-26°C) to 75°F (24°C)

Efficiency

SEER..... 25.3

EER (cooling)..... 4.09 kW/kW

COP (heating)..... 4.59 kW/kW / 15.7 Btu/hW

HSPF (heating)..... 13.4 Btu/hW

Enclosure (Condenser)

Material..... Painted galvanized steel

Color..... Beige (10 YR 7.5/1.0 NN)

Sound Pressure Level

Outdoor..... 49 dB(A)

Indoor..... 45 dB(A)

Dimensions

H x W x D

Outdoor in. (mm)..... 24-1/2 (620) x 31-1/8 (790) x 11-7/16 (290)

Indoor in. (mm)..... 11-5/8 (295) x 37 (940) x 10-5/8 (270)

Connection Pipe

Liquid..... 1/4" / 6.35 mm Flare

Gas..... 1/2" / 12.7 mm Flare

Method (Liquid/Gas)..... Brazing

Max Length (Pre-charge)..... 66 ft.(20 m) / (49 ft. {15 m})

Max Height Difference..... 49 ft. (15 m)

Weight

Outdoor..... 88 lbs (40 kg)

Indoor..... 31 lbs (14 kg)

Accessories

Wired Remote Controller..... UTY-RVNUM

Wired Remote Controller..... UTY-RNNUM

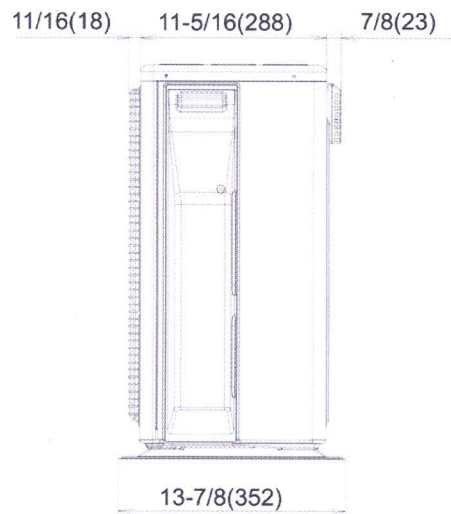
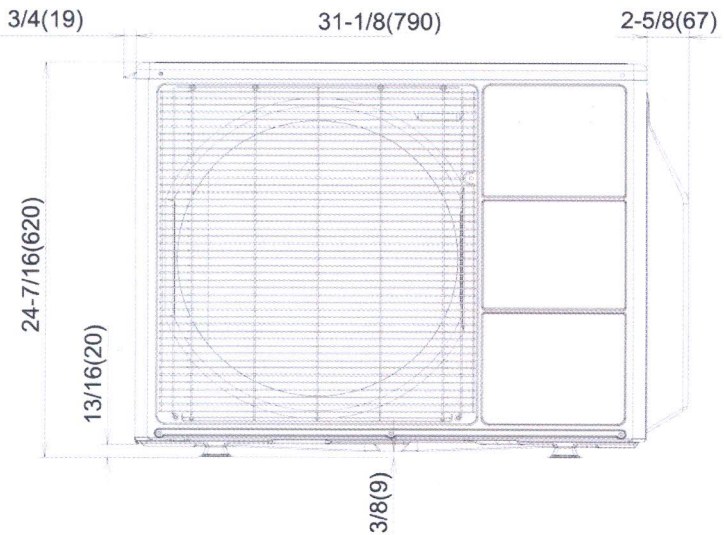
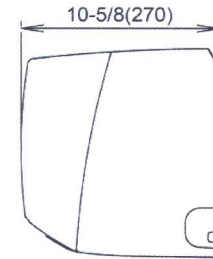
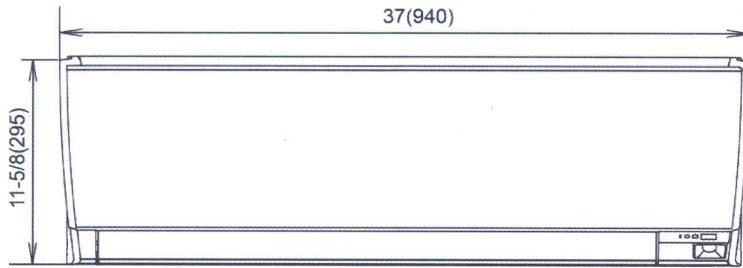
Simple Remote Controller..... UTY-RSNUM

Communication Kit..... UTY-TWBXF1

External Connection Kit..... UTY-XWZXZ5

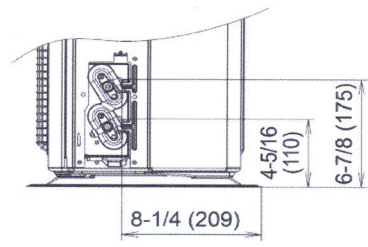
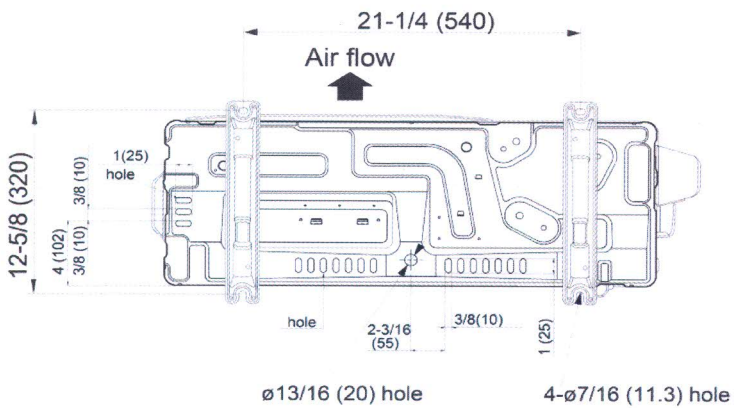
Dimensions: 15RLS3H

[Unit: in. (mm)]



Front view

Side view



ø13/16 (20) hole

4-ø7/16 (11.3) hole

Bottom view

The Fujitsu logo is a registered trademark of Fujitsu Limited.
 The Halcyon logo and name is a trademark of Fujitsu General America, Inc.
 Copyright 2014 Fujitsu General America, Inc.
 Fujitsu's products are subject to continuous improvements. Fujitsu reserves the right to modify product design, specifications and information in this brochure without notice and without incurring any obligations.

FUJITSU
 Fujitsu General America, Inc.
 353 Route 46 West
 Fairfield, NJ 07004
 Toll Free: 1-888-888-3424
 Fax: (973) 836-0447
www.fujitsugeneral.com