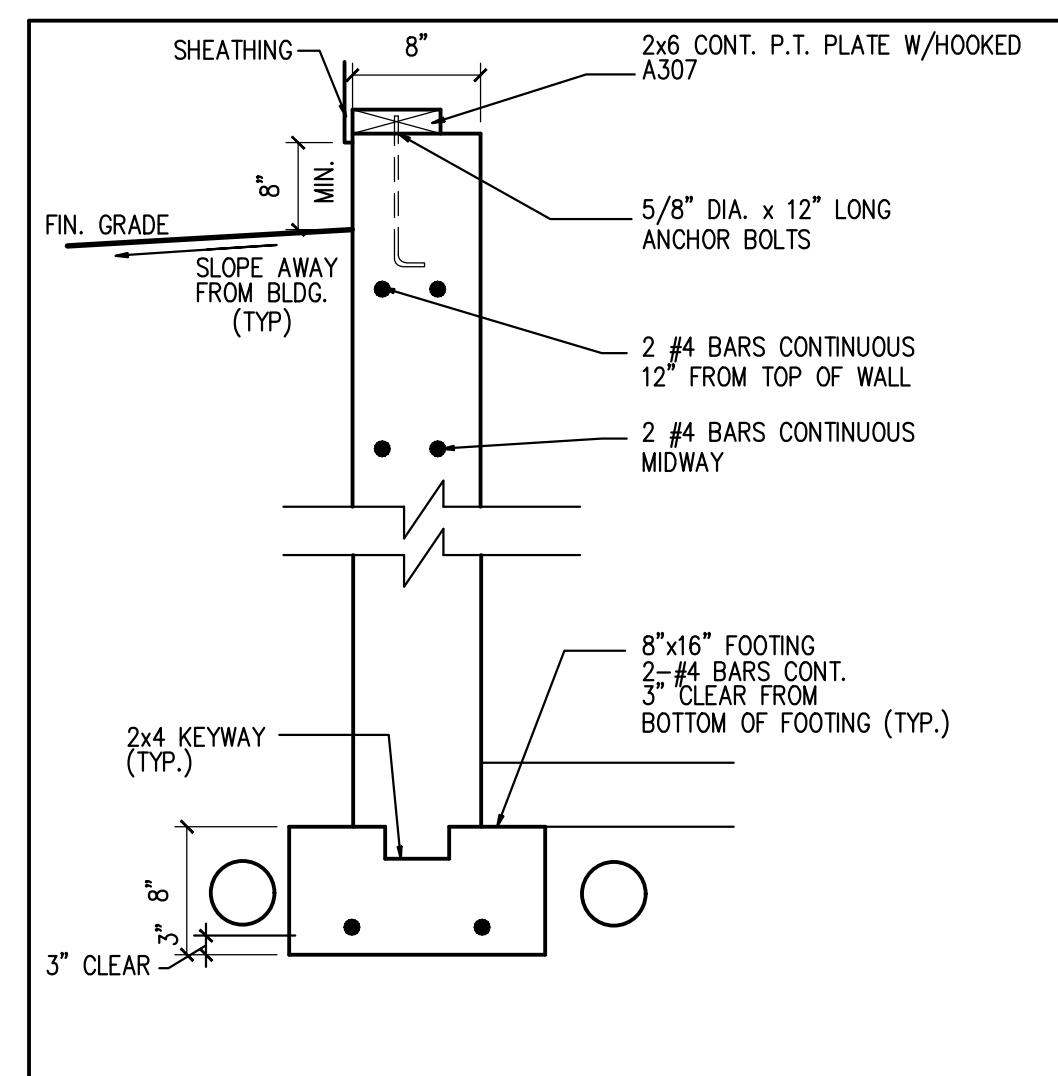
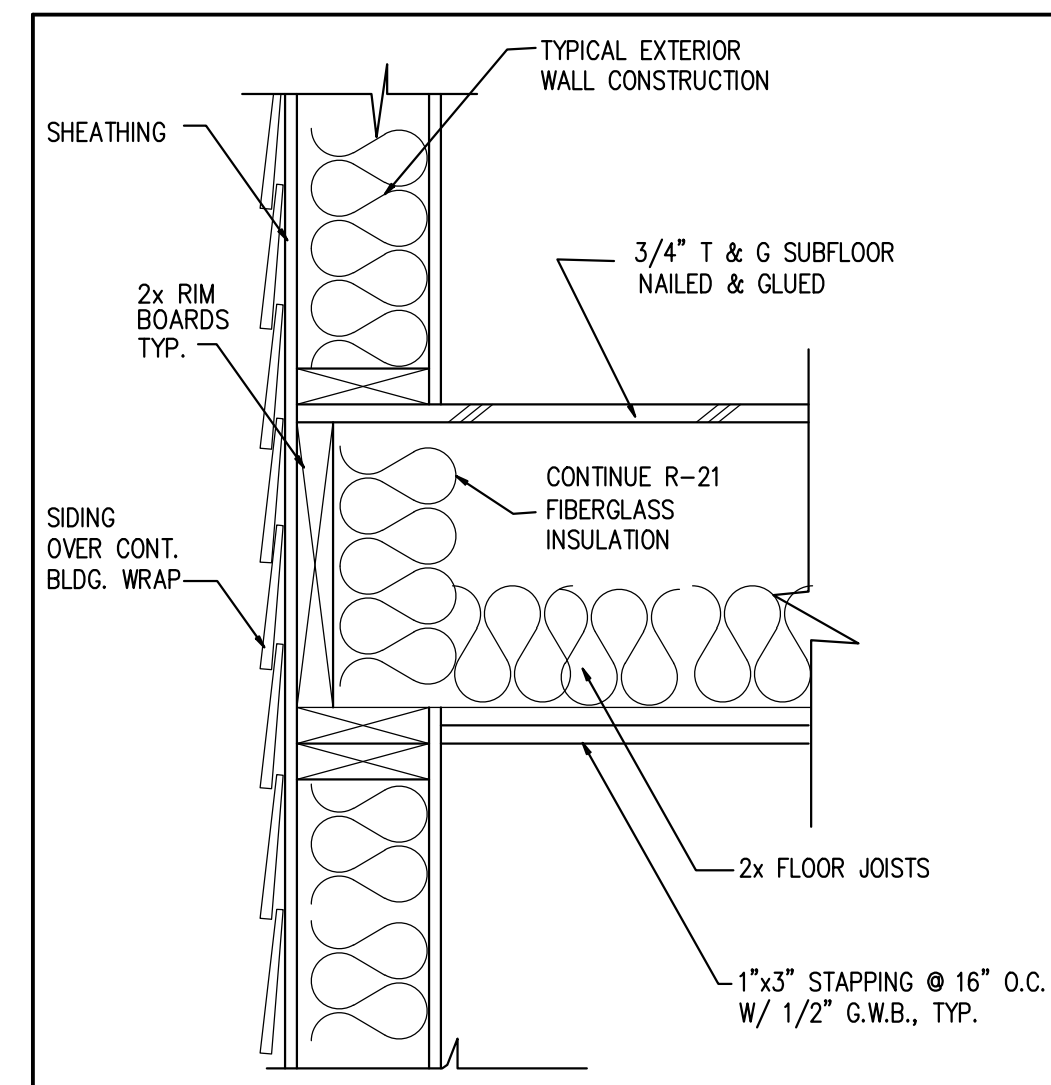


1 DECK / JOIST DETAIL SCALE: 1"=1'-0"



2 TYPICAL FOUNDATION WALL SCALE: 1"=1'-0"



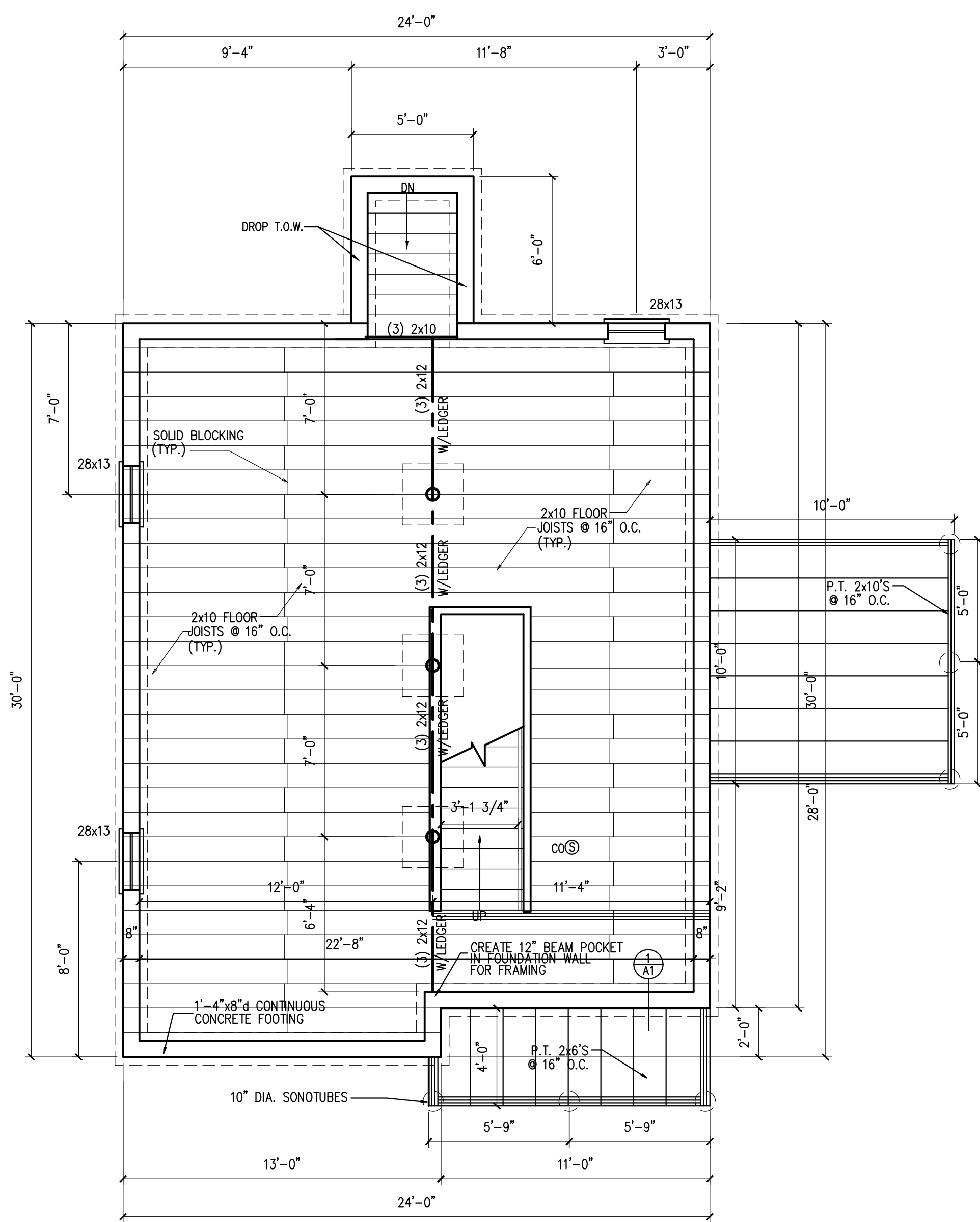
3 FLOOR FRAMING DETAIL 1 1/2" = 1'-0"

GENERAL NOTES:

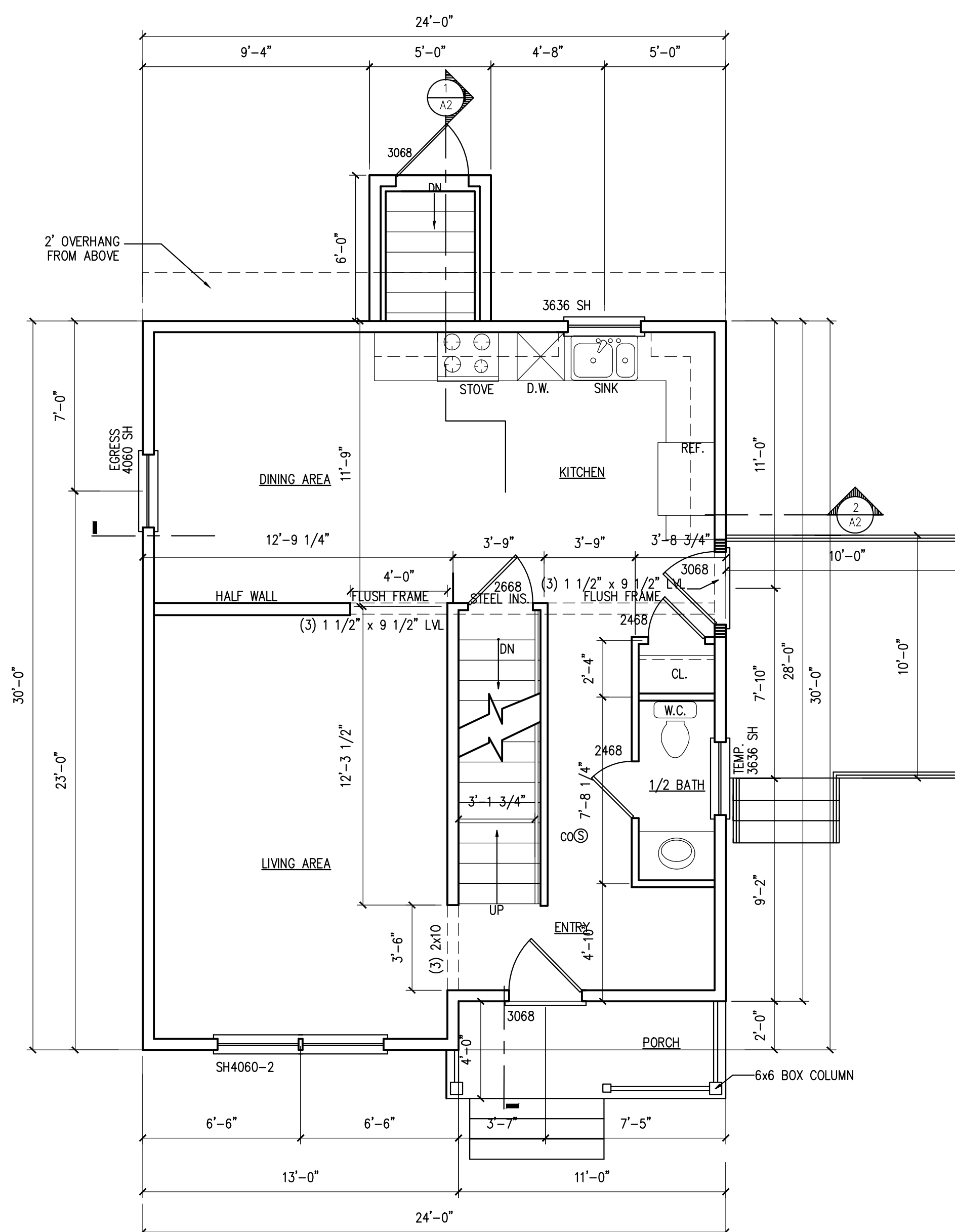
- All work shall be in accordance with IRC 2009, IBC Basic Building Code, NFPA-70 National Electric Code, Maine State Plumbing Code, ASHRAE, U.L., NFPA Codes and all local, State and Federal requirements.
- All required City and State permits must be obtained before any construction begins.
- Structural, Mechanical, Electrical and Plumbing design and installation by others shall be performed in accordance with local, State and Federal standards.
- Seal all openings & mechanical penetrations with approved fire safing material.
- Building shall have approved smoke detectors in accordance with NFPA-101 Life Safety Code.

ROUGH OPENING	HEADER SIZE
0 - 3'-0"	(3) - 2x6
3'-1" - 4'-6"	(3) - 2x8
4'-7" - 5'-8"	(3) - 2x10
5'-9" - 7'-0"	(3) - 2x12

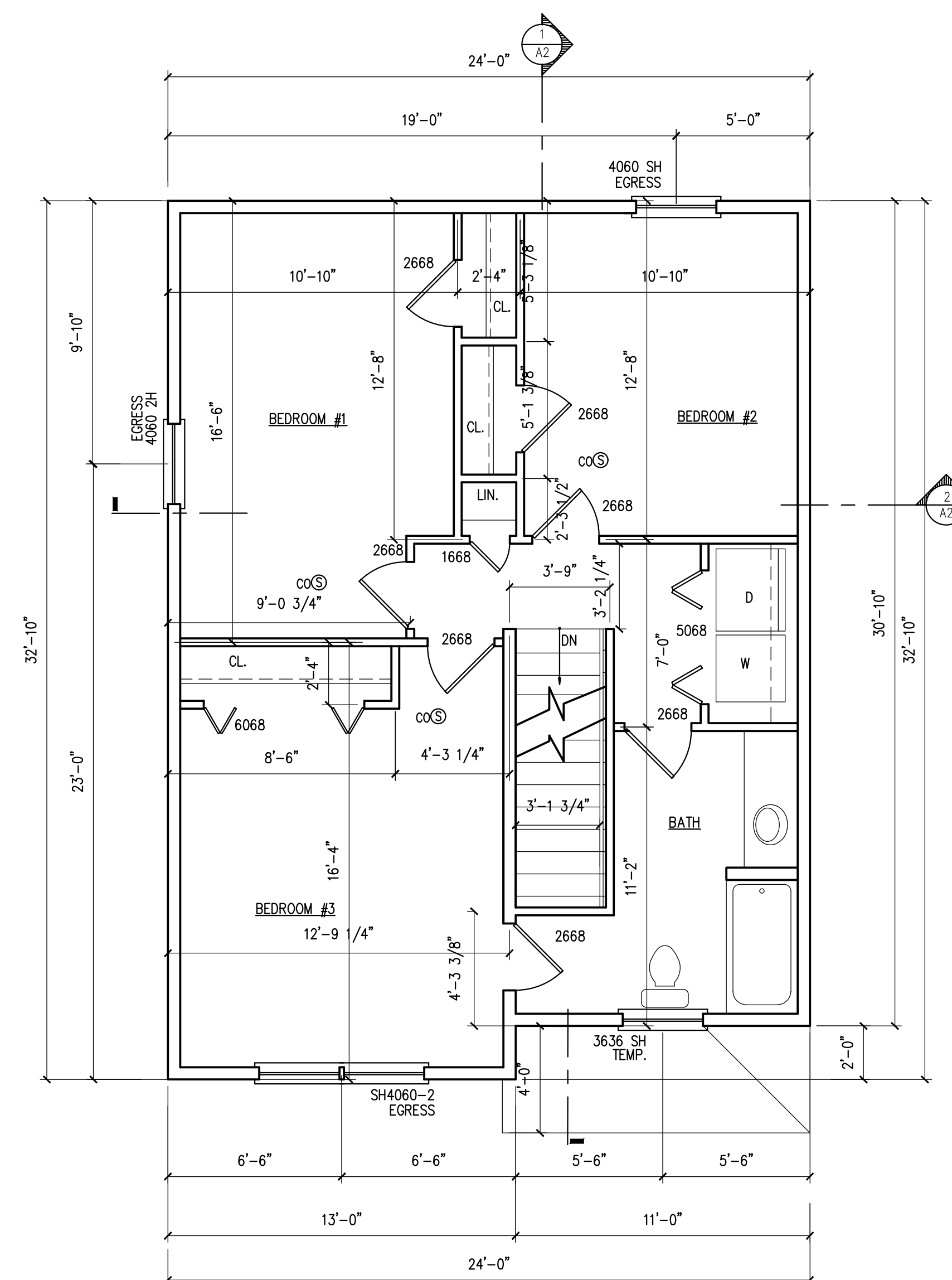
NOTE: PROVIDE JAMBS BOTH ENDS AS FOLLOWS:
 2x6 JACK PLUS 2x6 KING UP TO 4'-6" ROUGH OPENING
 (2) 2x6 JACKS PLUS (2) 2x6 KINGS UP TO 7'-0" ROUGH OPENING



FOUNDATION/FRAMING PLAN SCALE: 1/4"=1'-0"



FIRST FLOOR PLAN 698 S.F. SCALE: 1/4"=1'-0"



SECOND FLOOR PLAN 746 S.F. SCALE: 1/4"=1'-0"

DRAWINGS THIS SHEET
 FOUNDATION/FRAMING PLAN
 FIRST FLOOR PLAN /
 SECOND FLOOR PLAN
 DETAILS
 DATE
 06-16-16