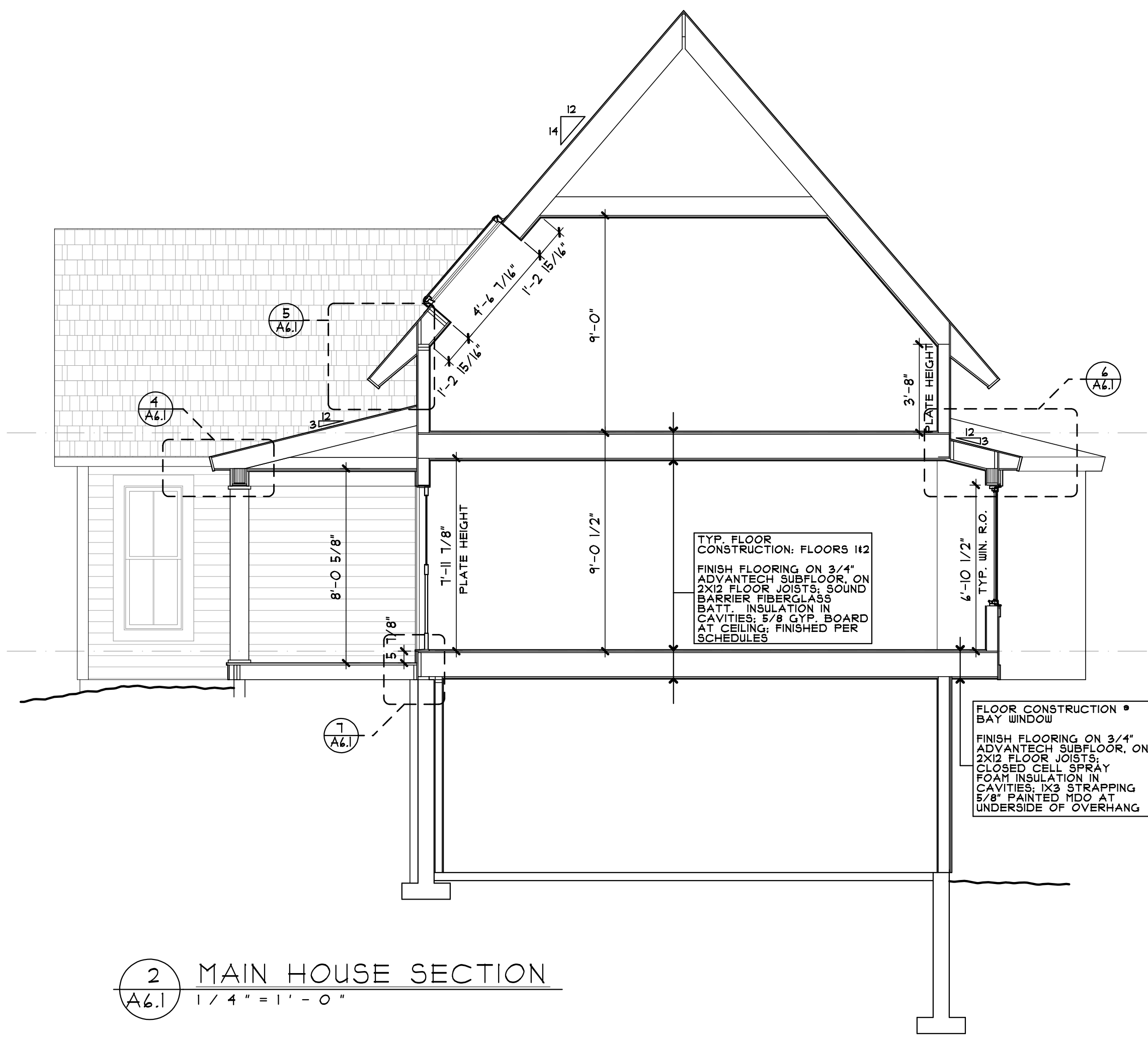
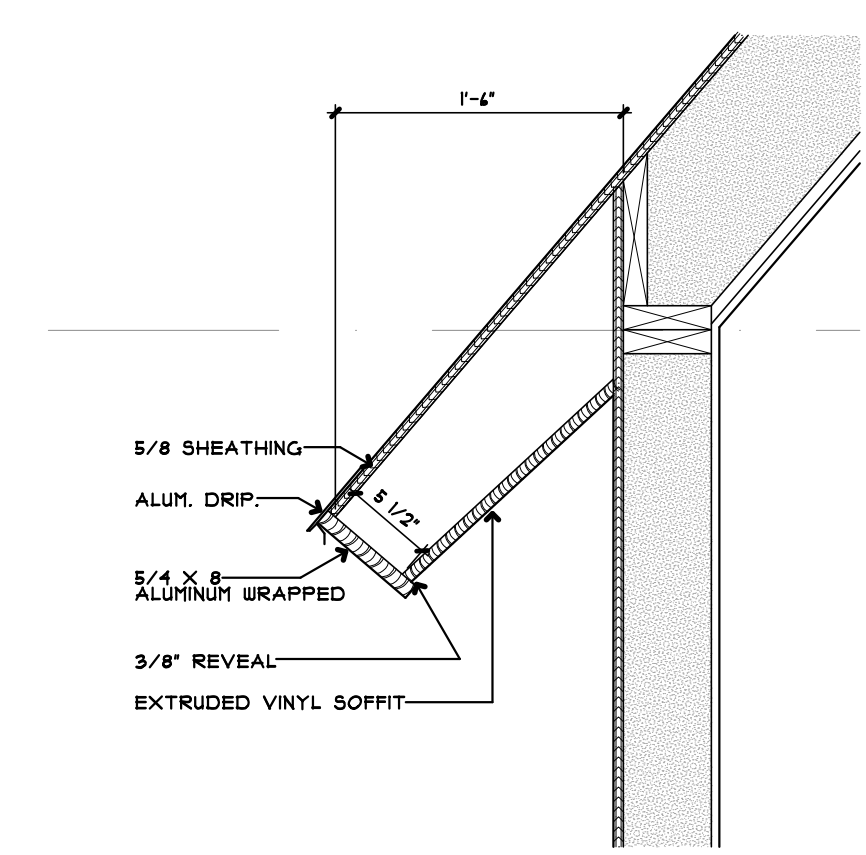


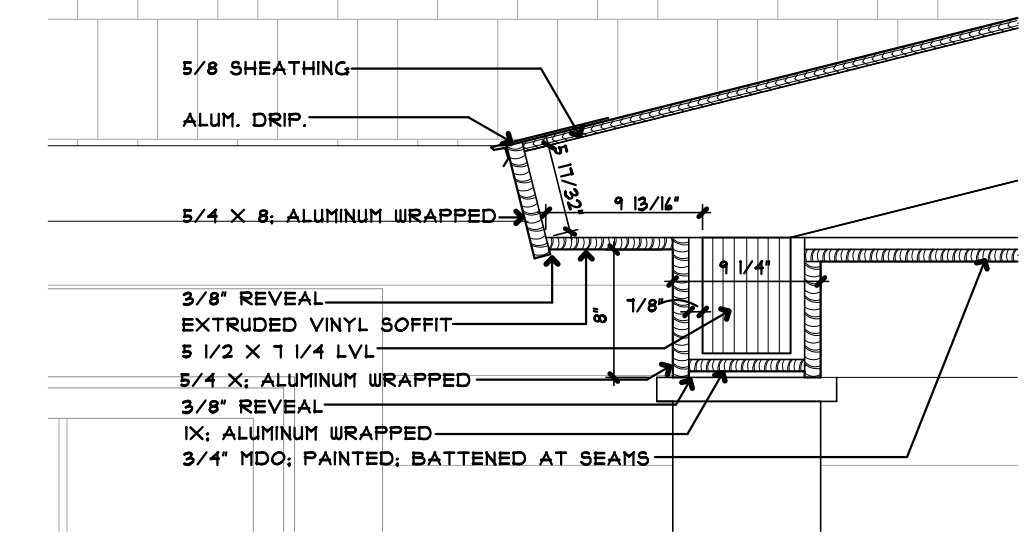
1 GUEST BEDROOM SECTION
A6.1 1/4" = 1'-0"



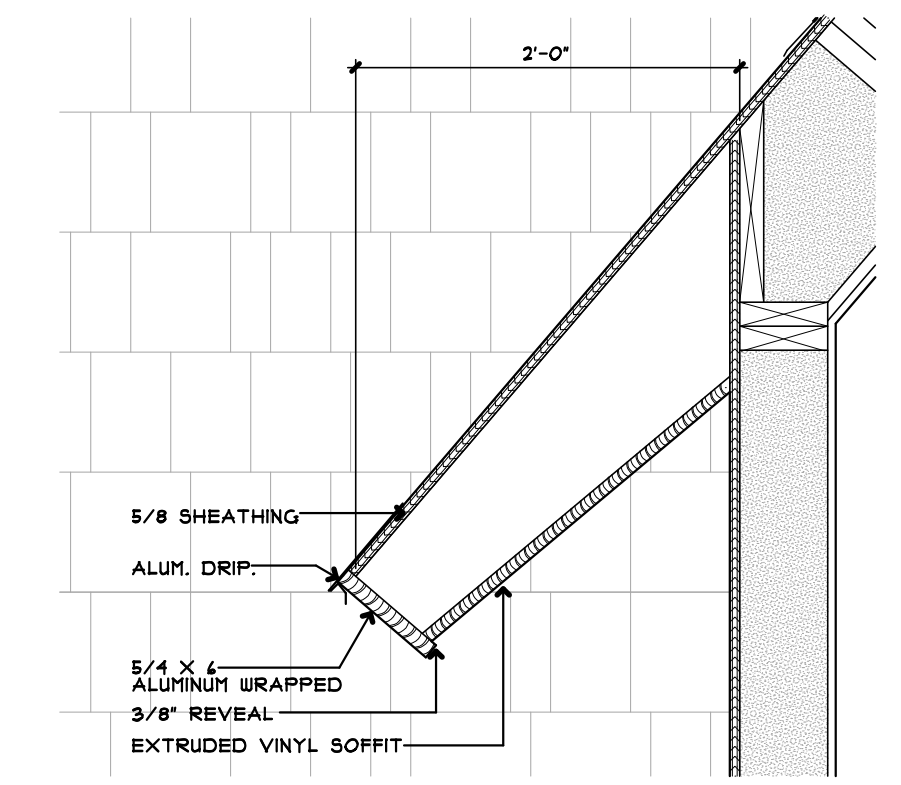
2 MAIN HOUSE SECTION
A6.1 1/4" = 1'-0"



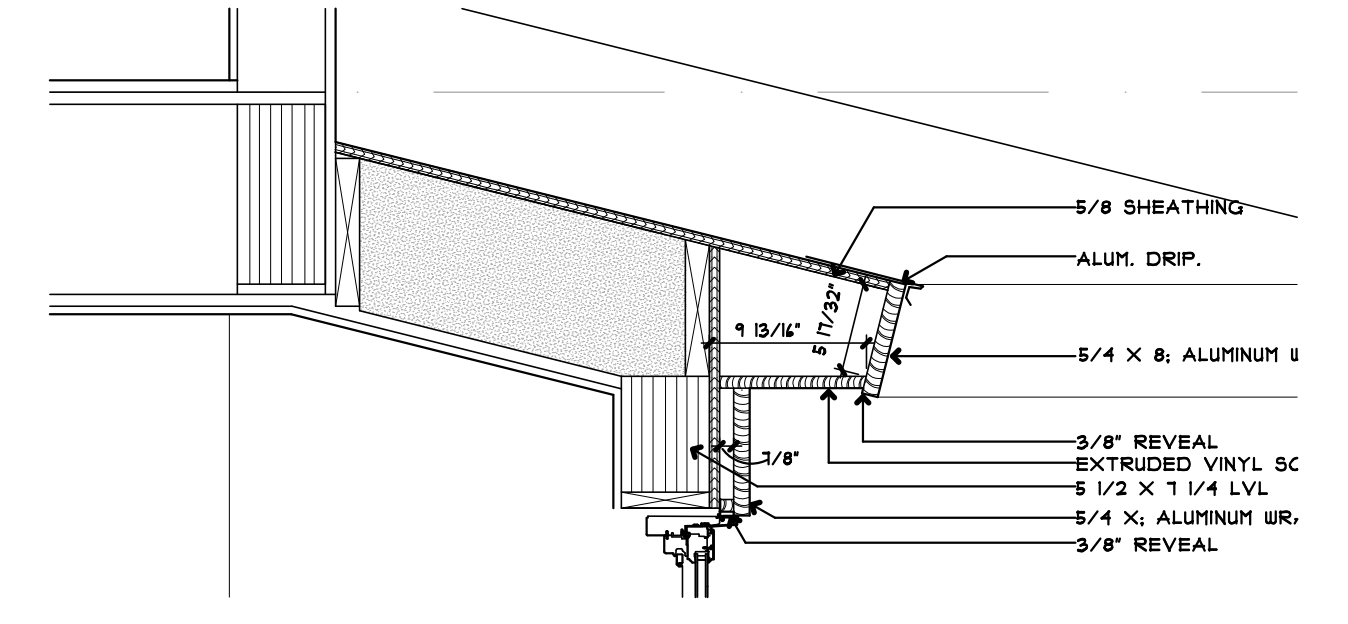
3 OVERHANG DTL. @ GUEST BR
A6.1 1" = 1'-0"



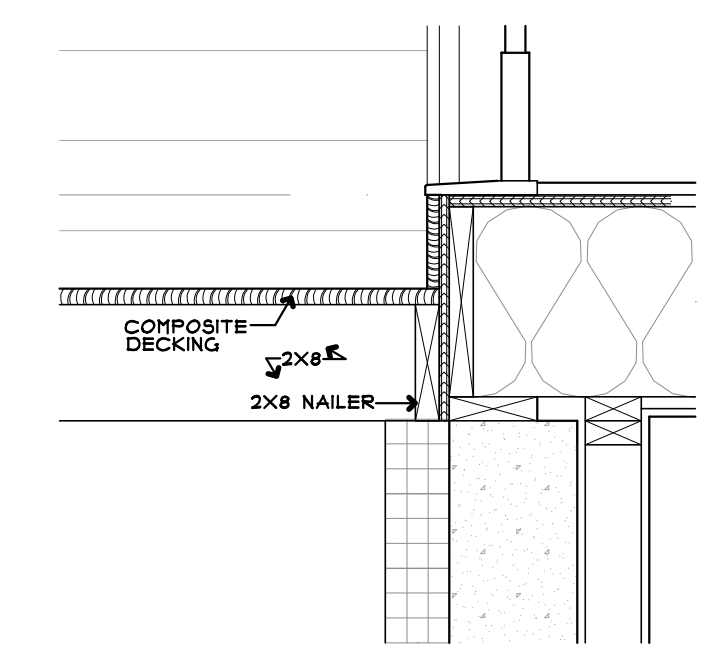
4 OVERHANG DTL. @ PORCH
A6.1 1" = 1'-0"



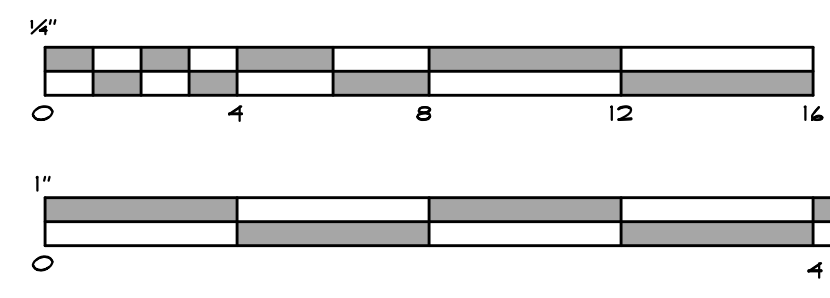
5 TYP. OVERHANG DTL. @ MAIN HOUSE
A6.1 1" = 1'-0"



5 OVERHANG DTL. @ BUMP-OUTS
A6.1 1" = 1'-0"



6 DECK TO HOUSE DETAIL
A6.1 1" = 1'-0"



PROJECT		DATE		01.23.2013	
SMITH-HOOPES RESIDENCE		REV		XX.XX.XX	
LOCATION		ISSUED FOR CONST.		05.28.2013	
63 STROUDWATER RD. PORTLAND, ME		REV		XX.XX.XX	
		REV		XX.XX.XX	
		REV		XX.XX.XX	

HOUSES & COTTAGES

ERIC E. ALLYN ARCHITECTURAL DESIGNER

351 MAIN ST.
201-594-5551

ROCKLAND, ME 04841

WWW.HOUSESANDCOTTAGES.COM

A6.1

CONSTRUCTION DOCUMENTS

PLOT SCALE: 1/4"=1'-0"