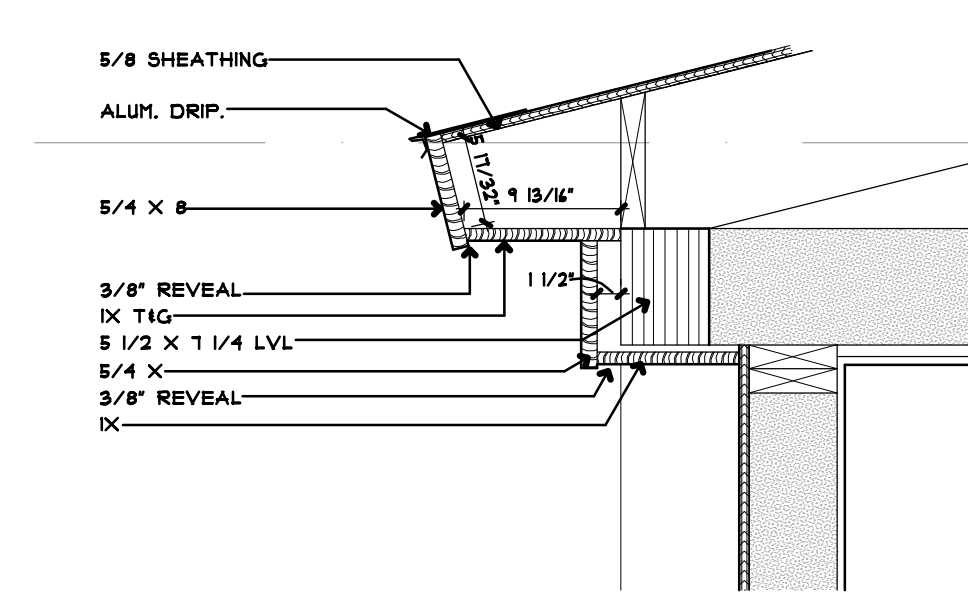
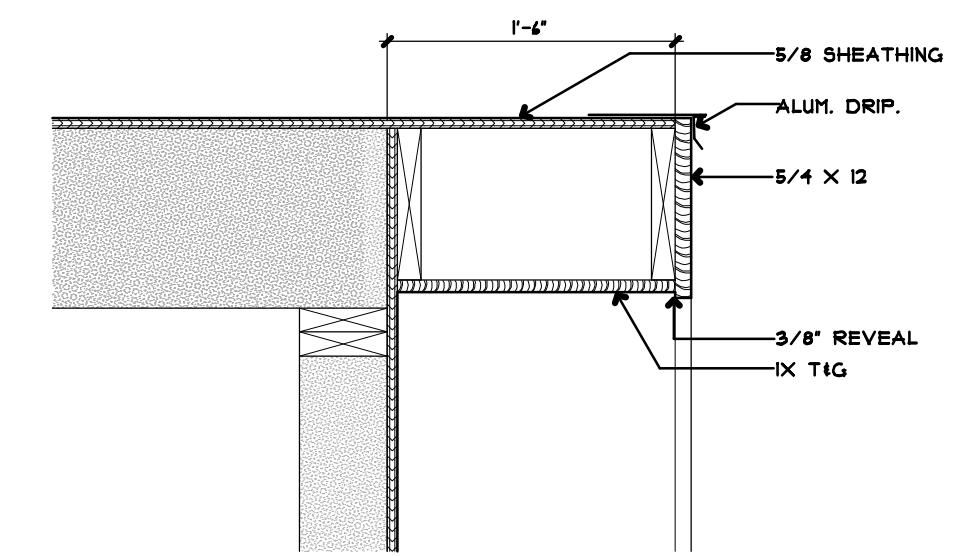


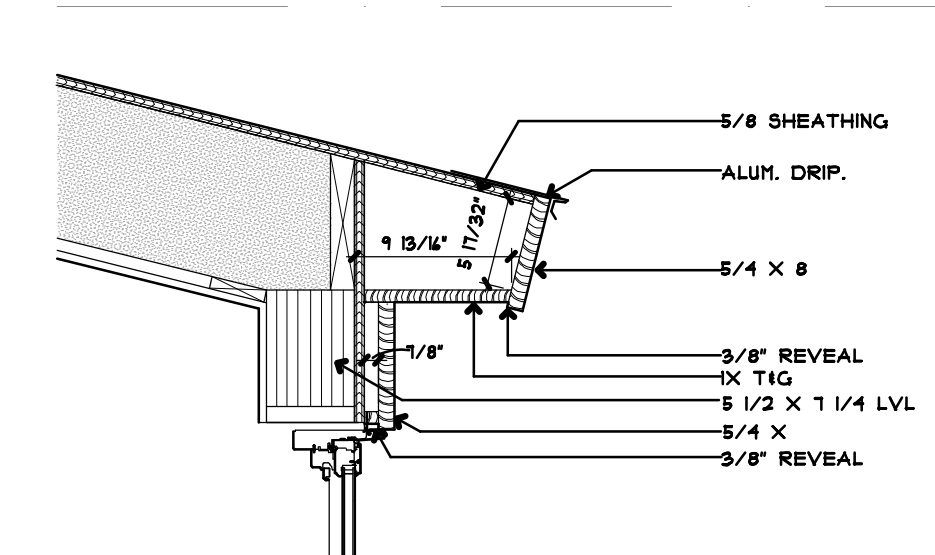
3 RAKE DETAIL @ GUEST BR
A6.2 1" = 1'-0"



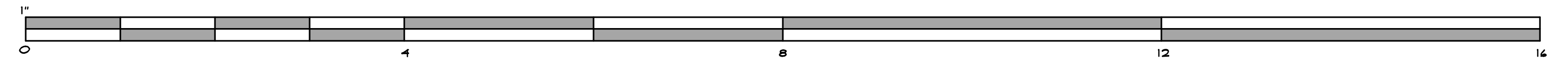
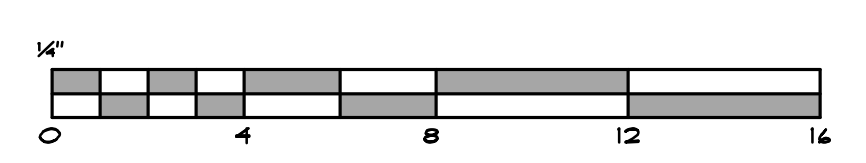
4 OVERHANG DTL. @ GARAGE
A6.2 1" = 1'-0"




5 TYP. RAKE DETAIL
A6.2 1" = 1'-0"



6 OVERHANG DTL. @ SUNROOM & ENTRY
A6.2 1" = 1'-0"



PROJECT		DATE	01.23.2013		A6.2
SMITH-HOOPES RESIDENCE		REV	XX.XX.XX		
LOCATION		ISSUED FOR CONST:	05.21.2013	359 MAIN ST. 201-594-5551 WWW.HOUSESANDCOTTAGES.COM	
63 STROUDWATER RD. PORTLAND, ME		REV	XX.XX.XX		
		REV	XX.XX.XX		