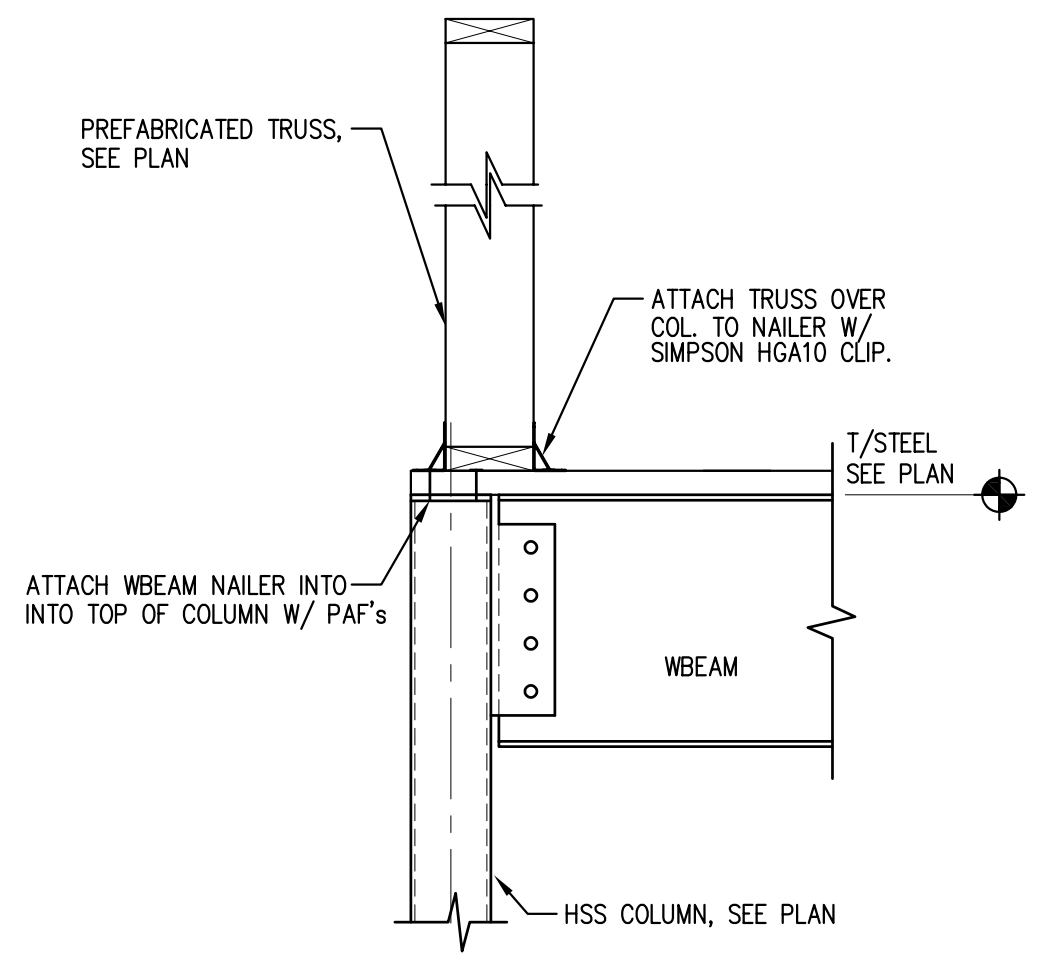


424 Fore Street
 Portland, ME 04101
 Phone 207.842.2800
 Fax 207.842.2828
www.cascobayengineering.com

CLIENT:
 DIDONATO ARCHITECTS, INC.
 134 GUINEA ROAD
 KENNEBUNKPORT, MAINE

STROUDWATER STATION
 1577 CONGRESS STREET
 PORTLAND, MAINE
 PROPOSED BUILDING



SECTION SCALE: 1"=1'-0" 1 SECTION SCALE: 1"=1'-0" - SECTION SCALE: 1"=1'-0" - SECTION SCALE: 1"=1'-0" -

REVISIONS		
No.	DATE	ISSUE
A	3-19-07	FOR PERMIT

SHEET TITLE:
SECTION & DETAILS
 DESIGNED: SM
 DRAWN: PM
 DATE: 2-7-07
 CADD FILE: 7016-S1.DWG
 PROJECT NUMBER: 7016

SECTION SCALE: 1"=1'-0" - SECTION SCALE: 1"=1'-0" - SECTION SCALE: 1"=1'-0" - SECTION SCALE: 1"=1'-0" -