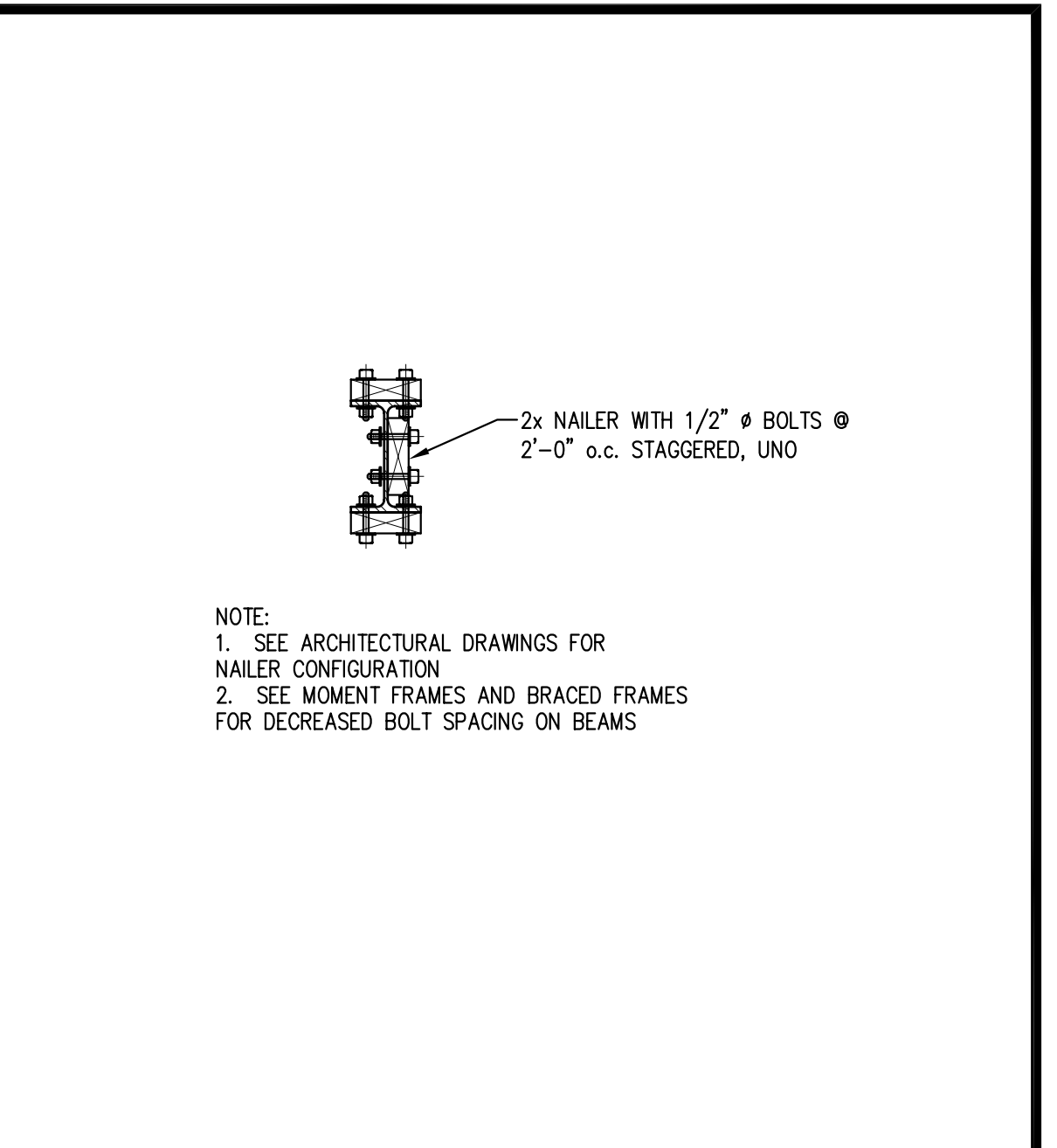
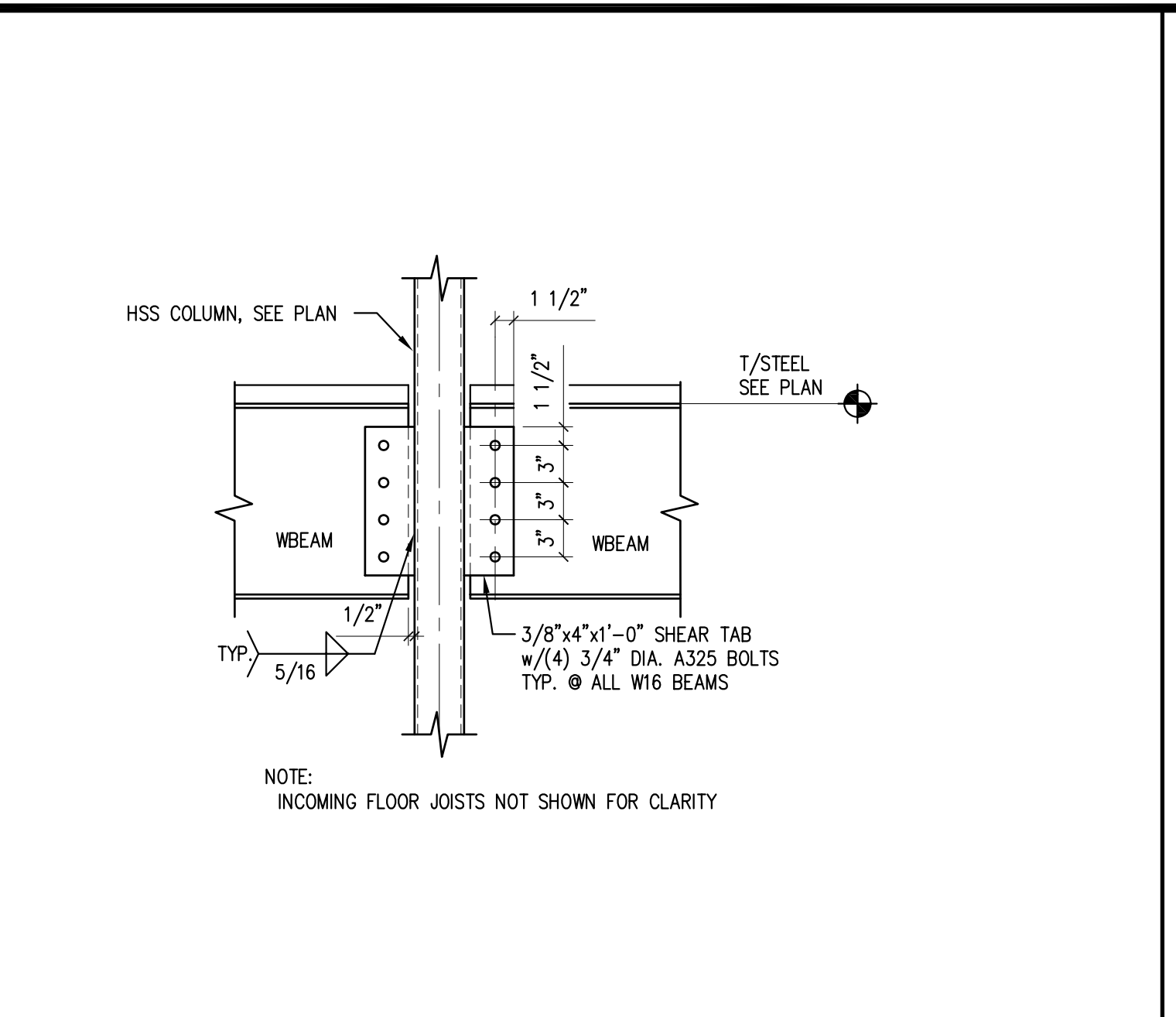
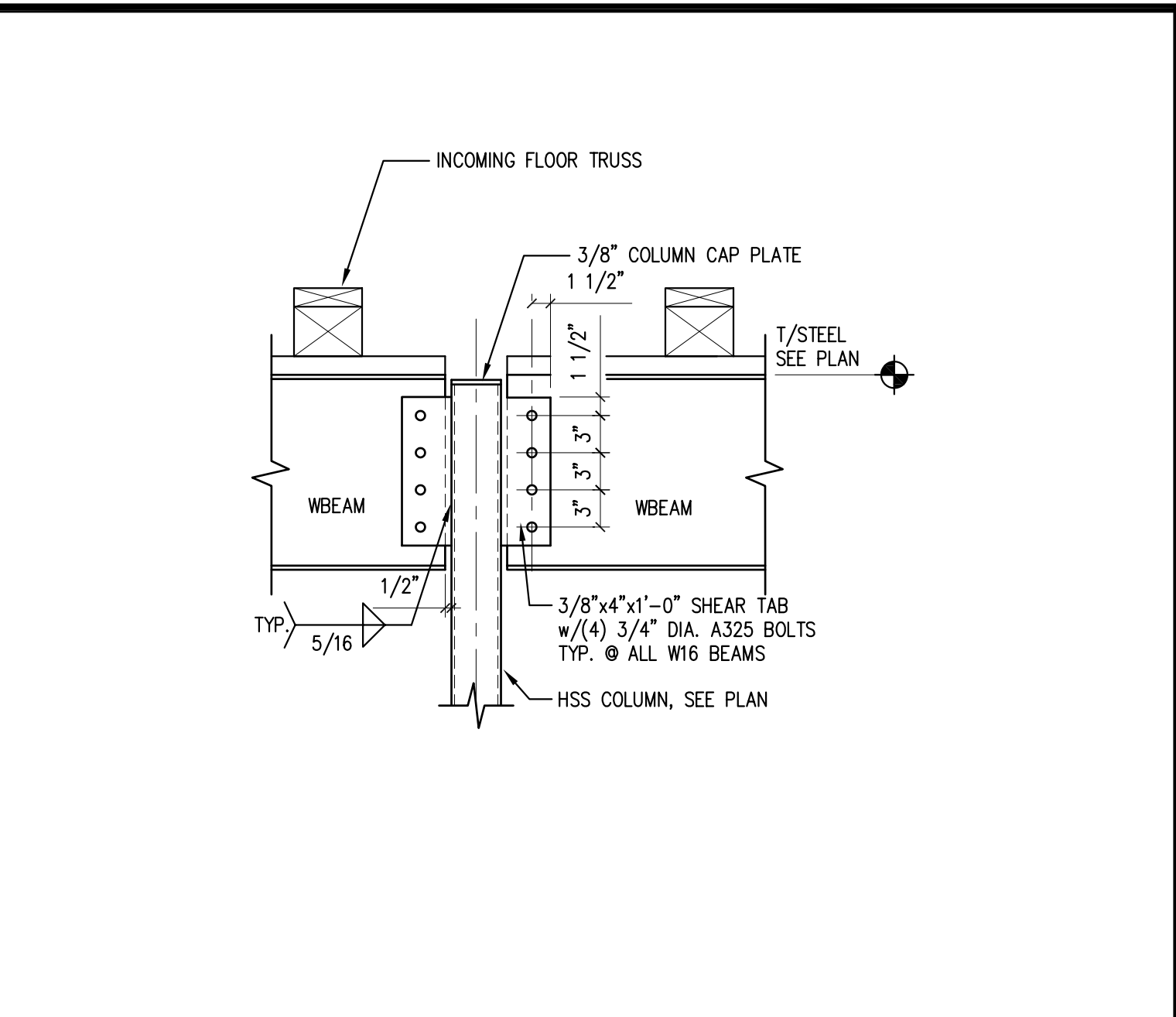
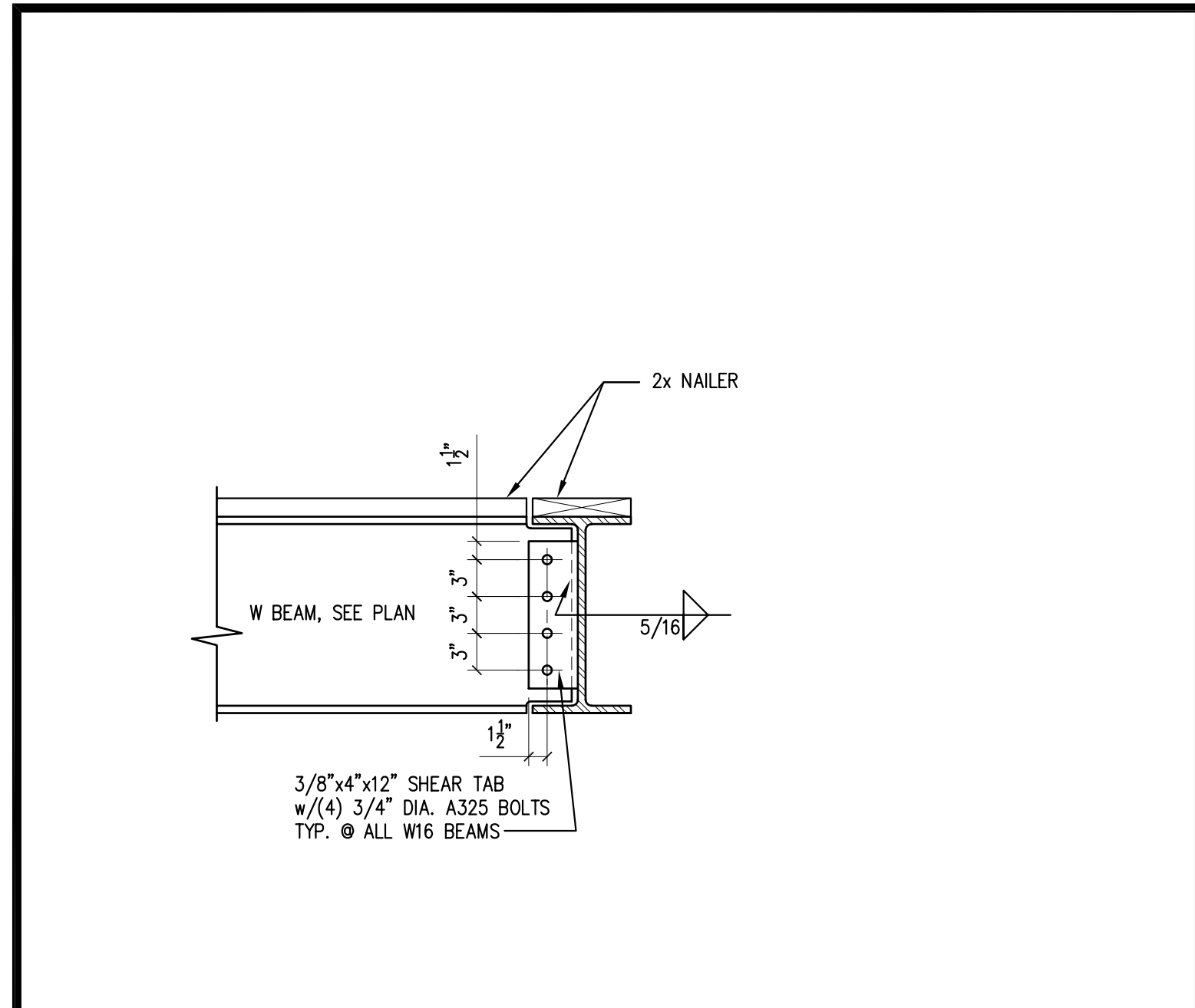


REVISIONS		ISSUE	DATE
No.	DATE	ISSUE	DATE
A	3-18-07	FOR PERMIT	

SHEET TITLE:

SECTION & DETAILS

DESIGNED:	SM
DRAWN:	PM
DATE:	2-7-07
CADD FILE:	7016-S1.DWG
PROJECT NUMBER:	7016

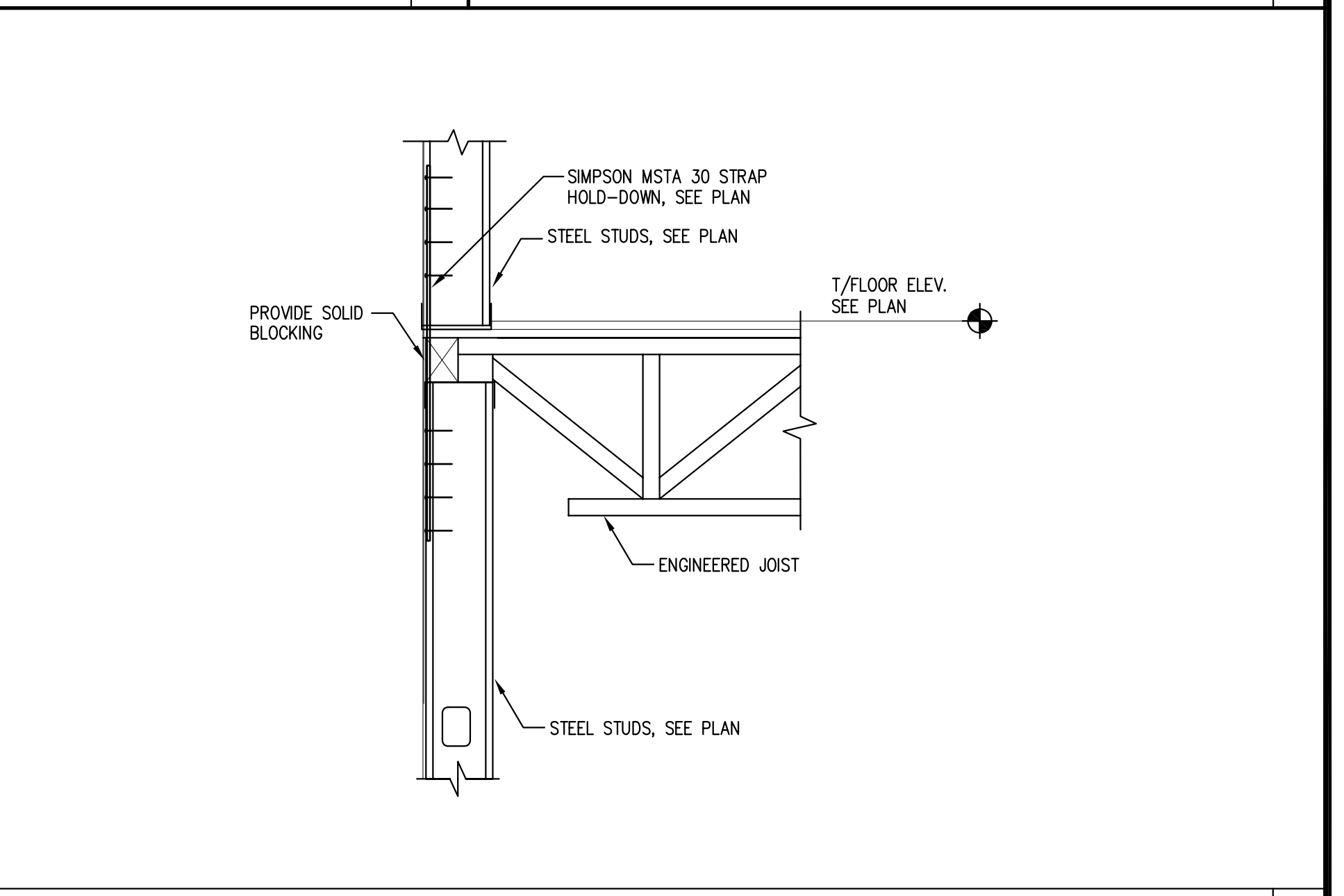
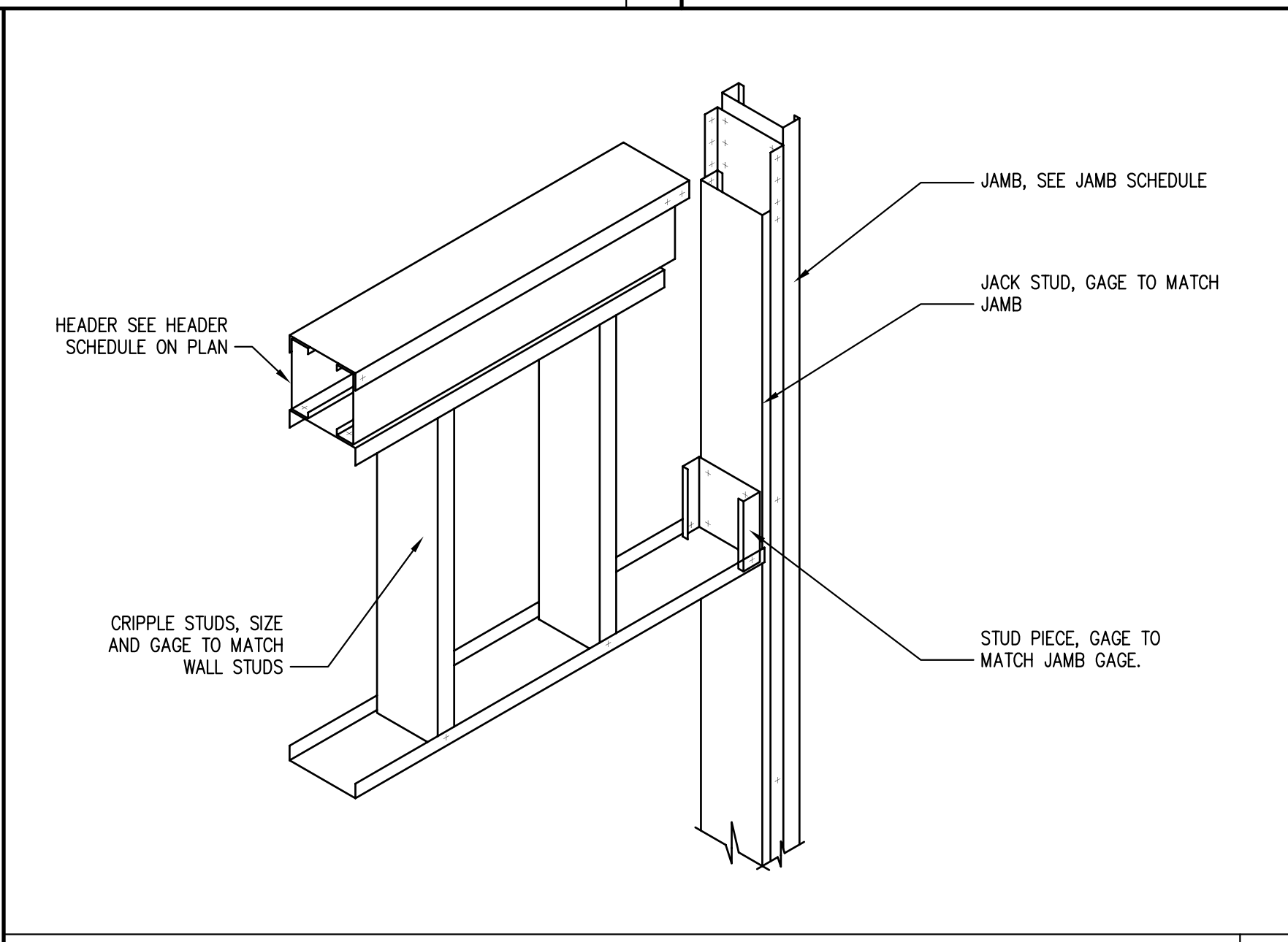
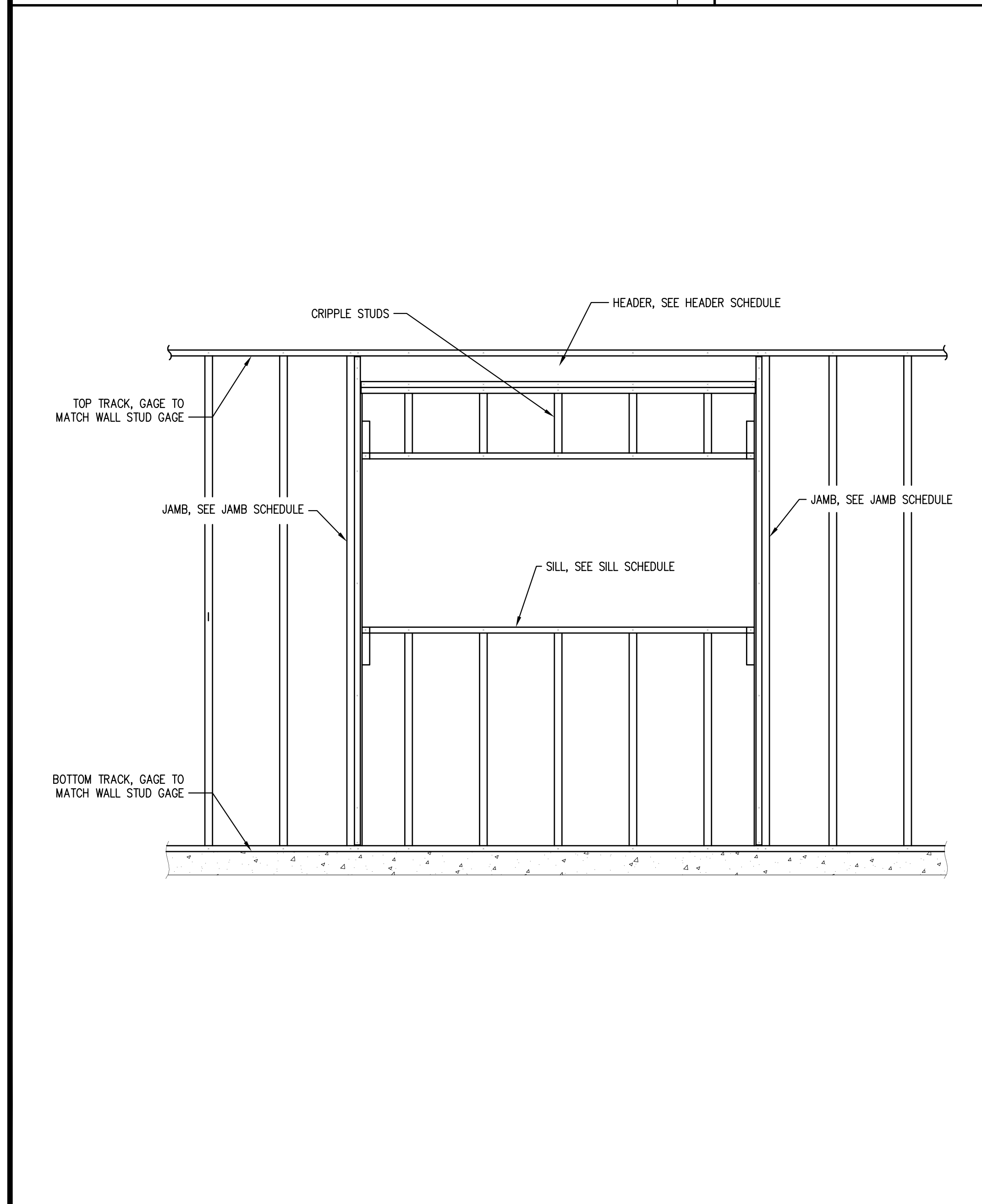


SECTION SCALE: 1"=1'-0" 1

SECTION SCALE: 1"=1'-0" 2

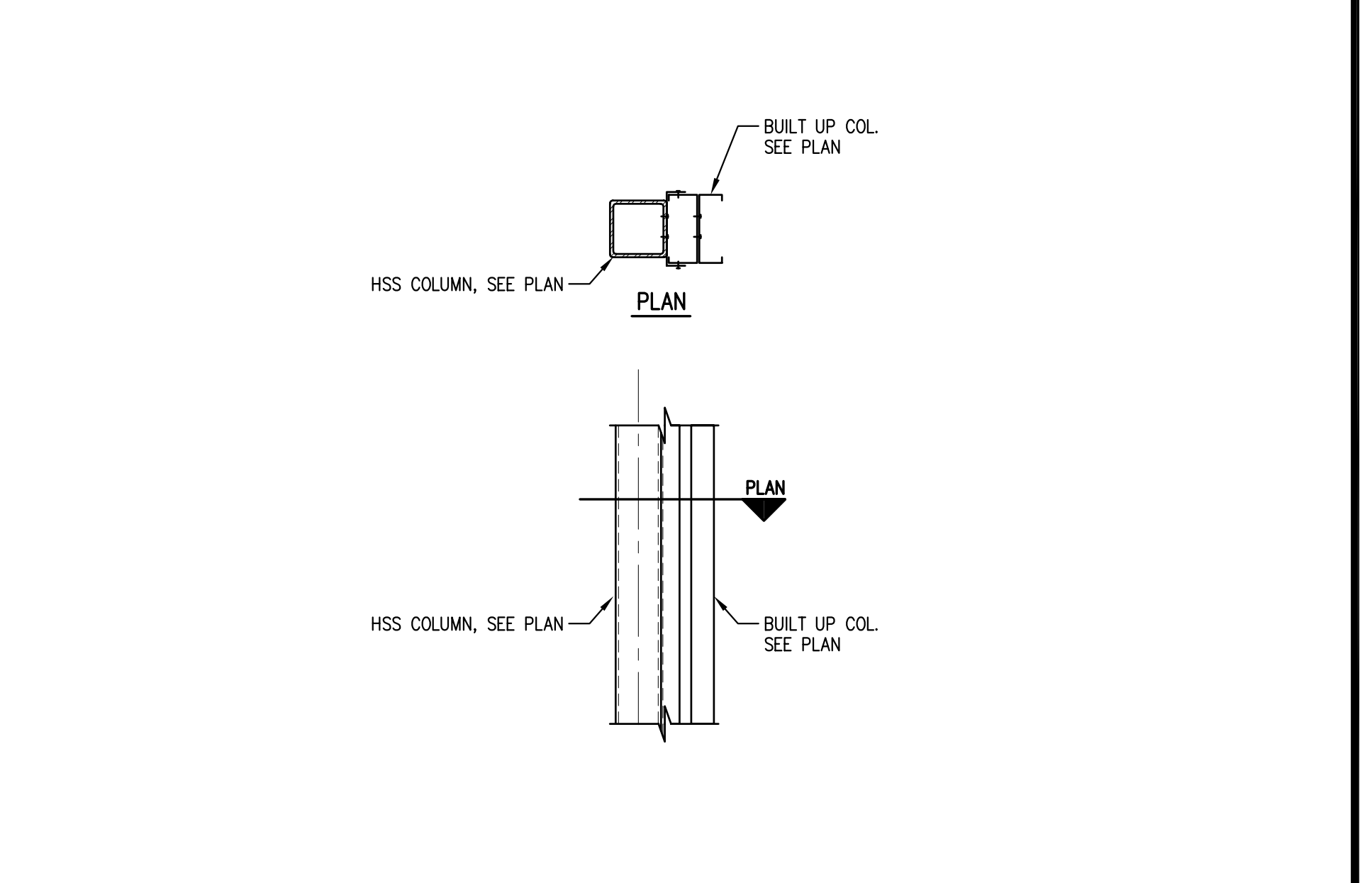
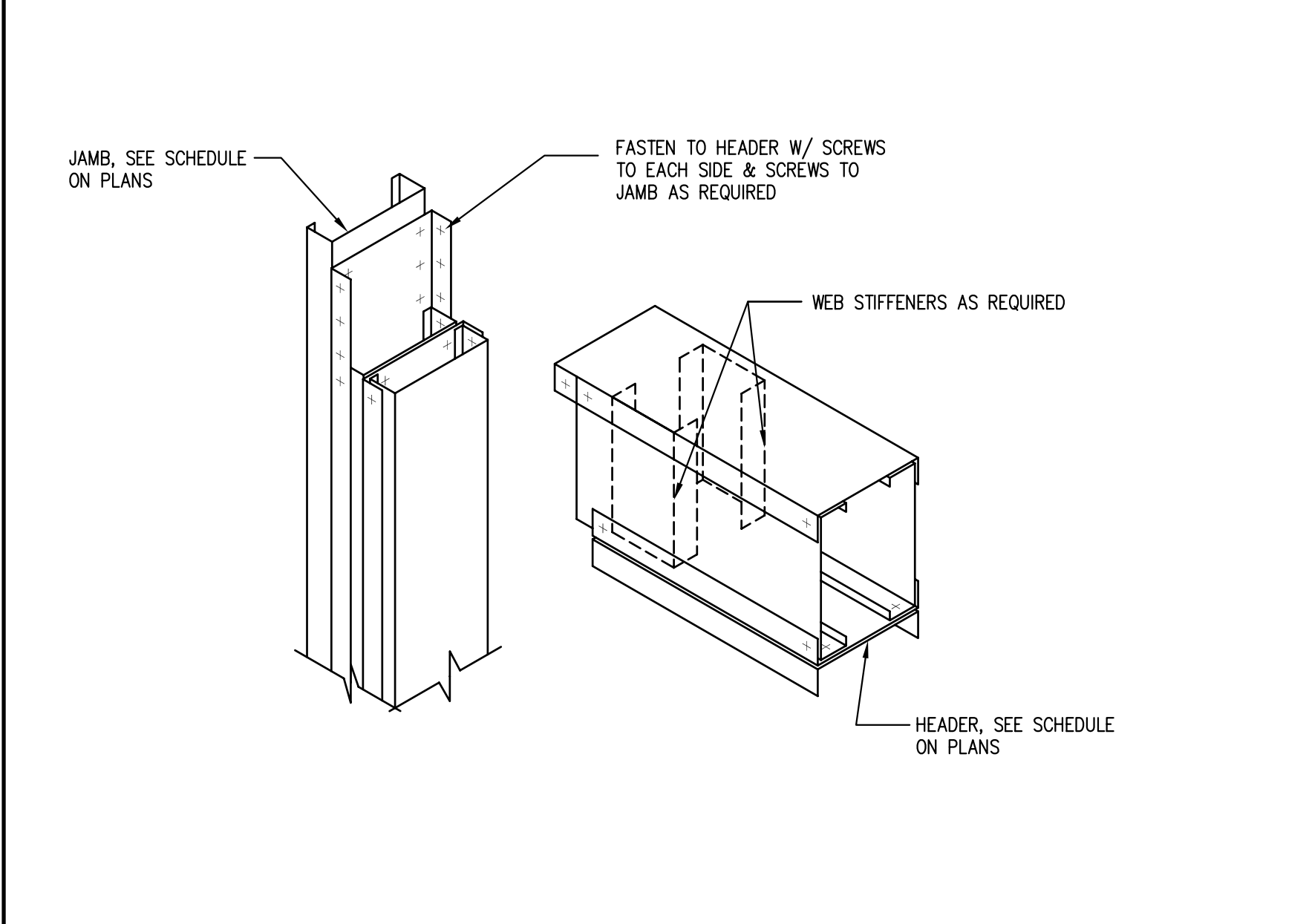
SECTION SCALE: 1"=1'-0" 3

TYPICAL NAILER DETAIL SCALE: 1"=1'-0" 4



HEADER DETAIL SCALE: 1"=1'-0" 6

SECTION SCALE: 1"=1'-0" 7



HEADER DETAIL SCALE: 1"=1'-0" 8

SECTION SCALE: 1"=1'-0" 9

TYPICAL WALL ELEVATION SCALE: 1"=1'-0" 5