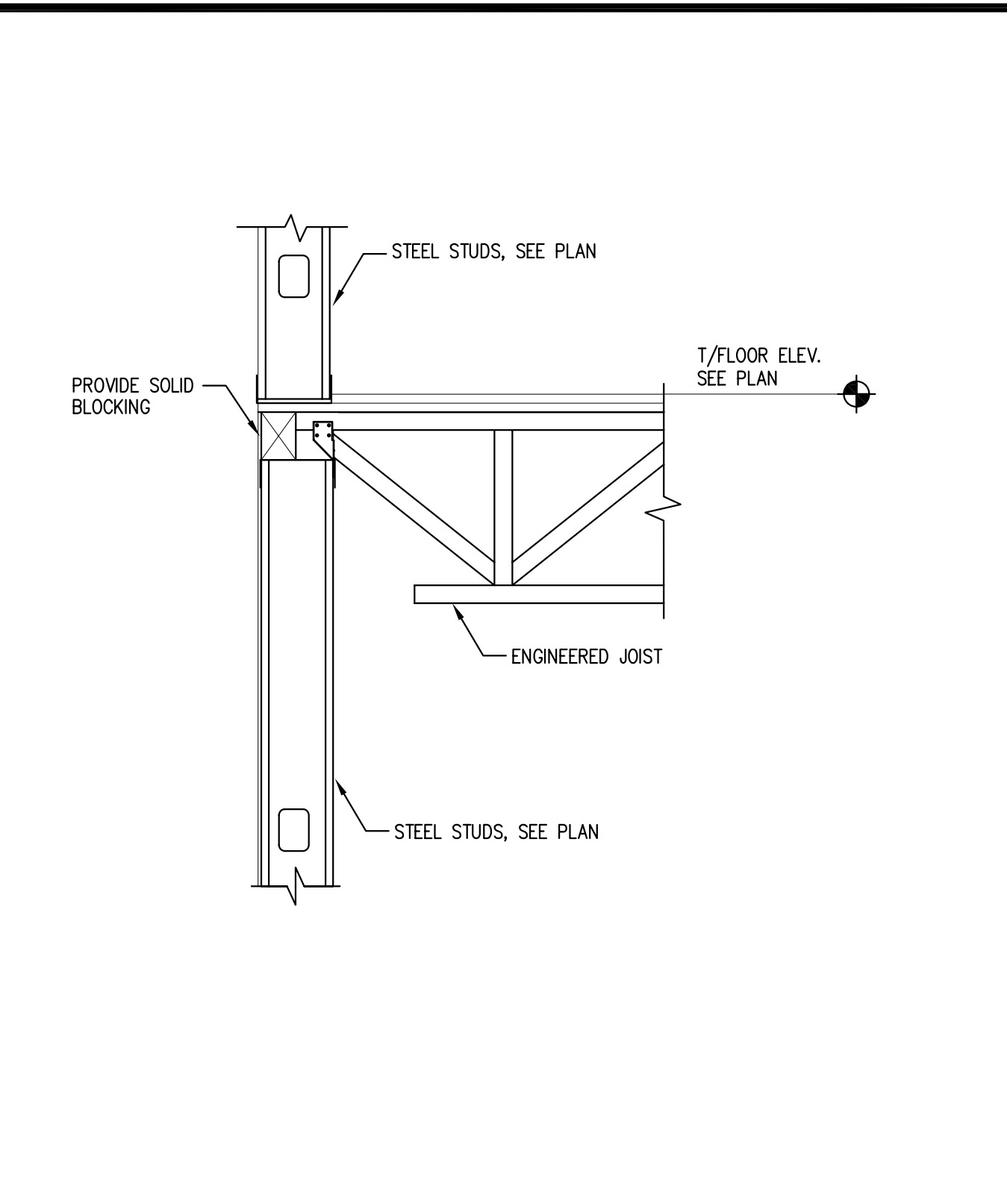
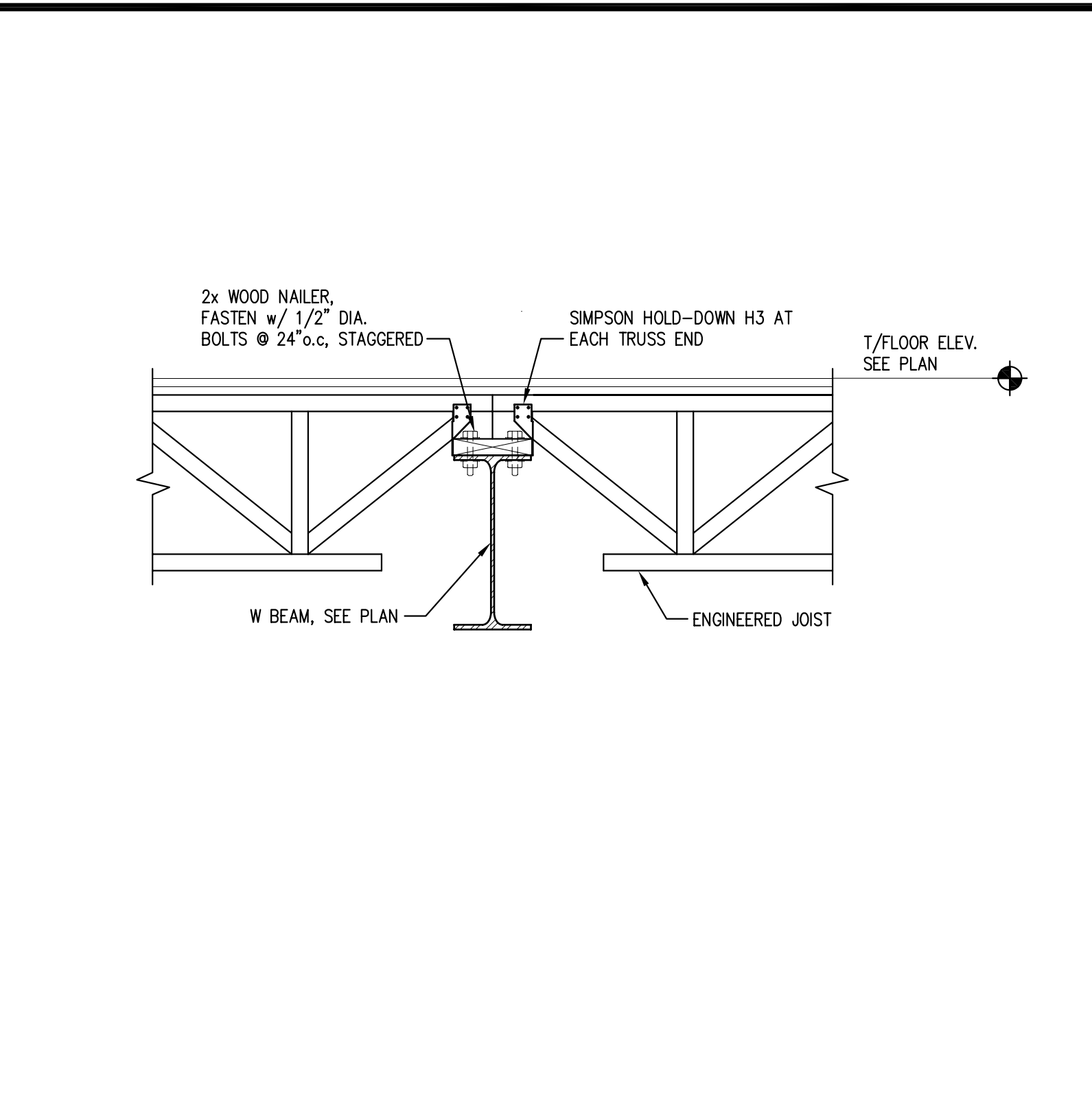


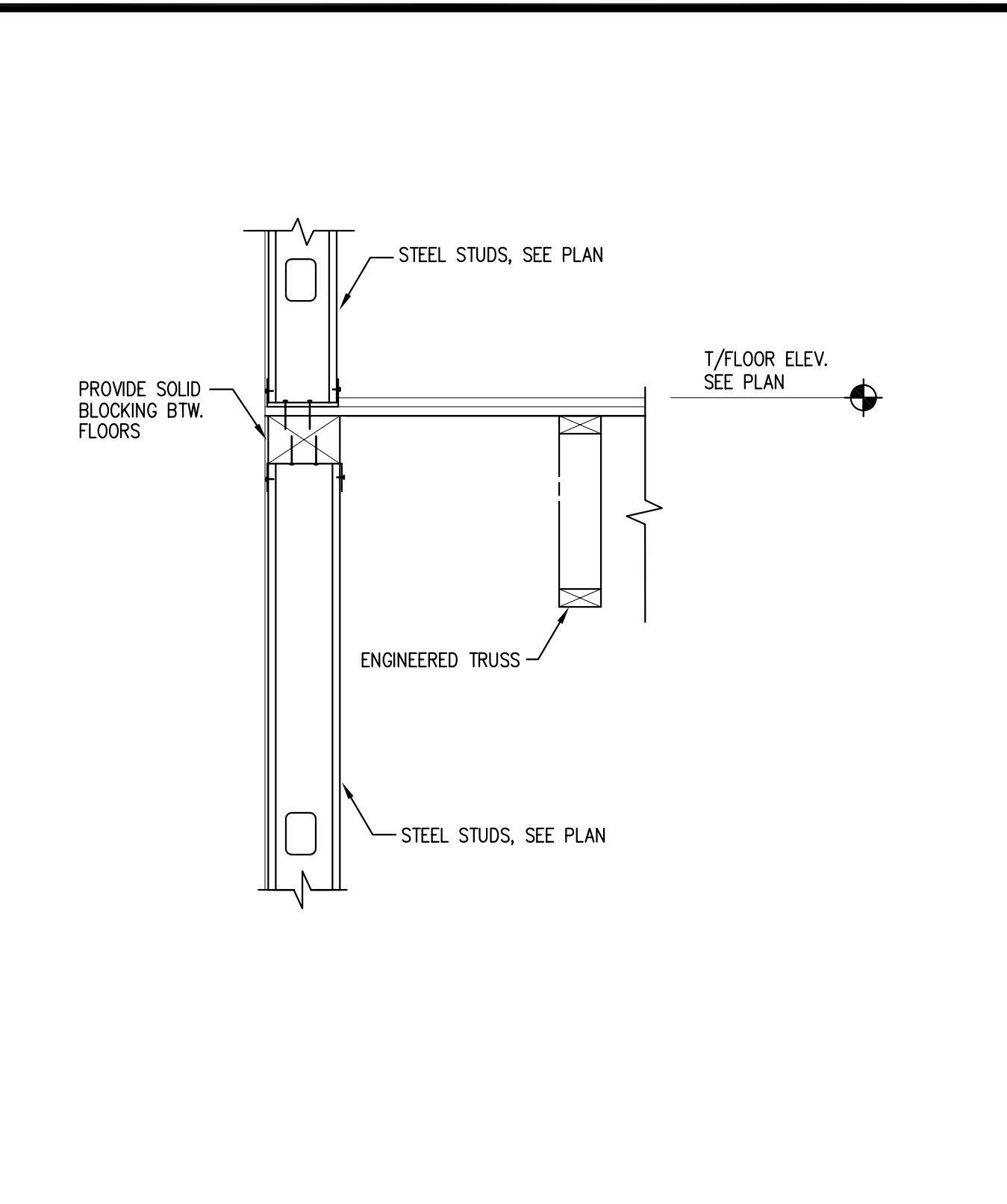
SECTION SCALE: 1"=1'-0" 1



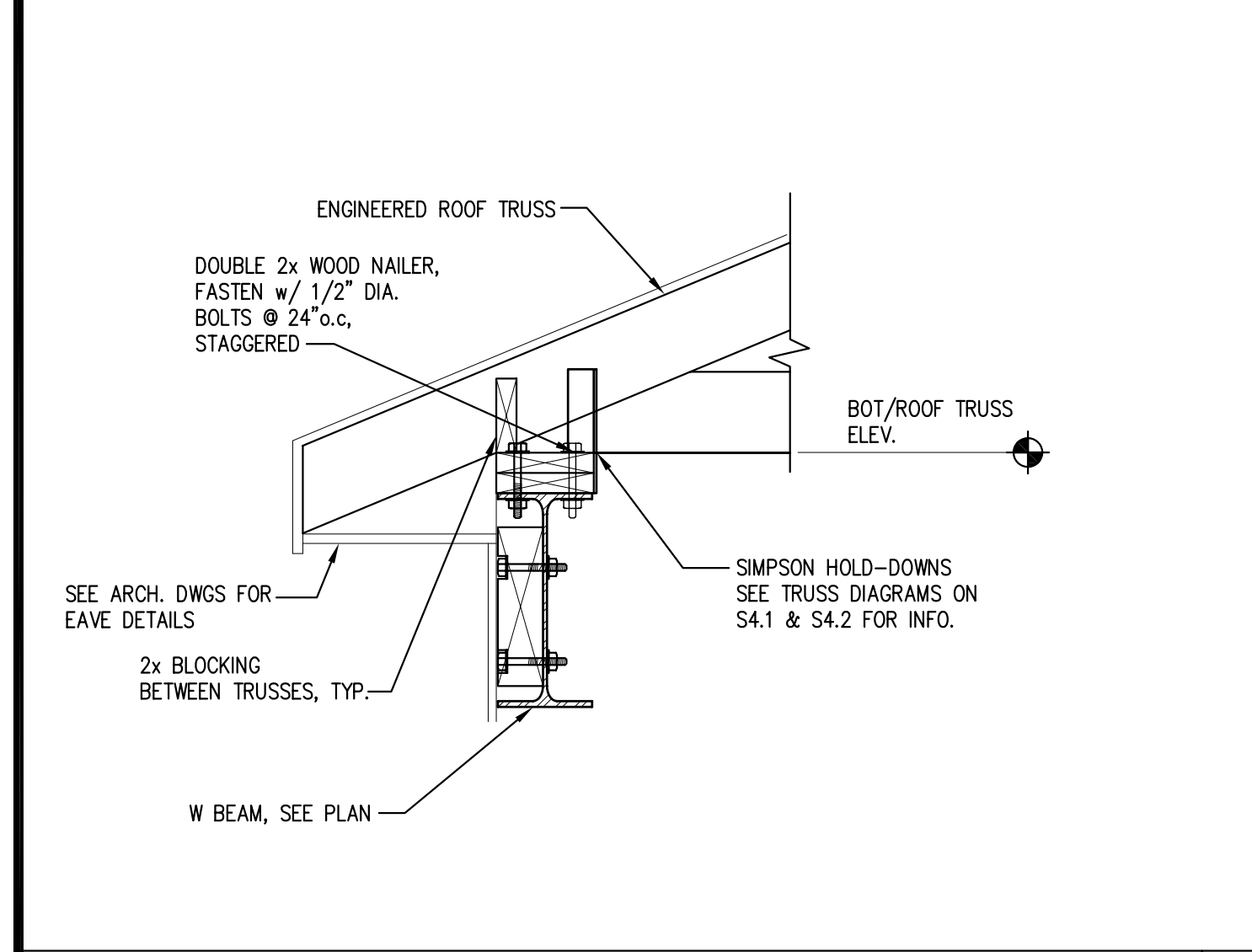
SECTION SCALE: 1"=1'-0" 2



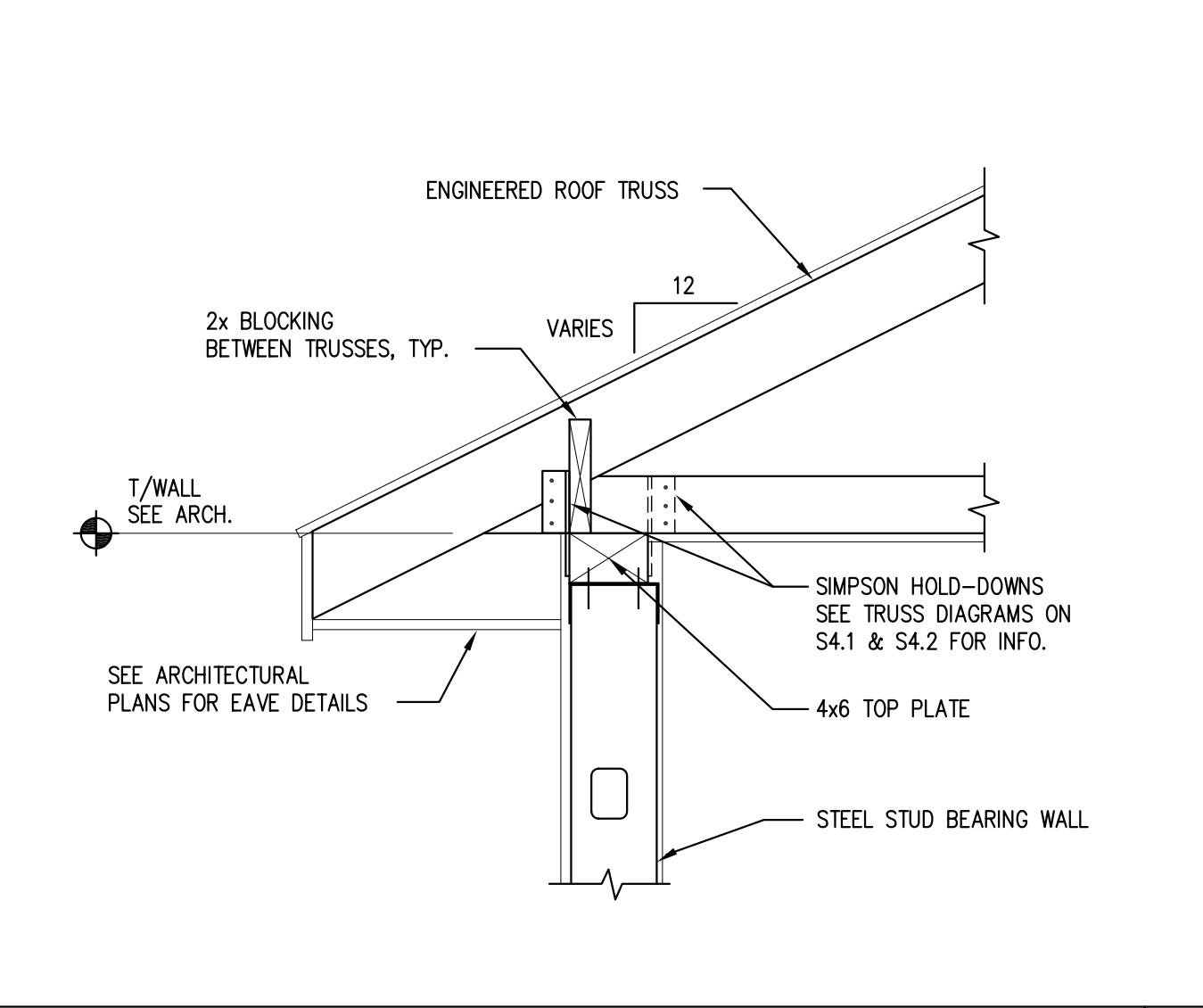
SECTION SCALE: 1"=1'-0" 3



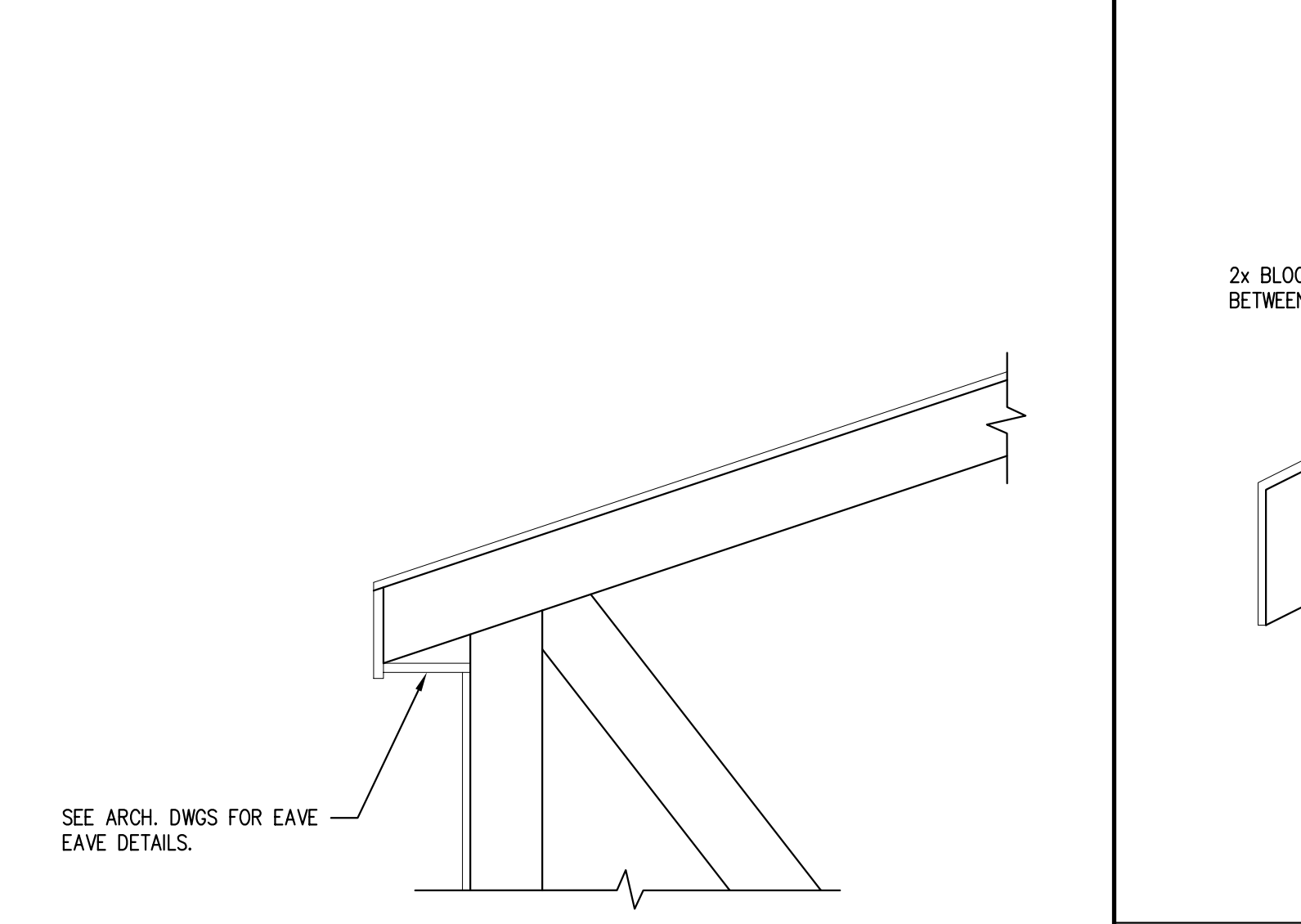
SECTION SCALE: 1"=1'-0" 4



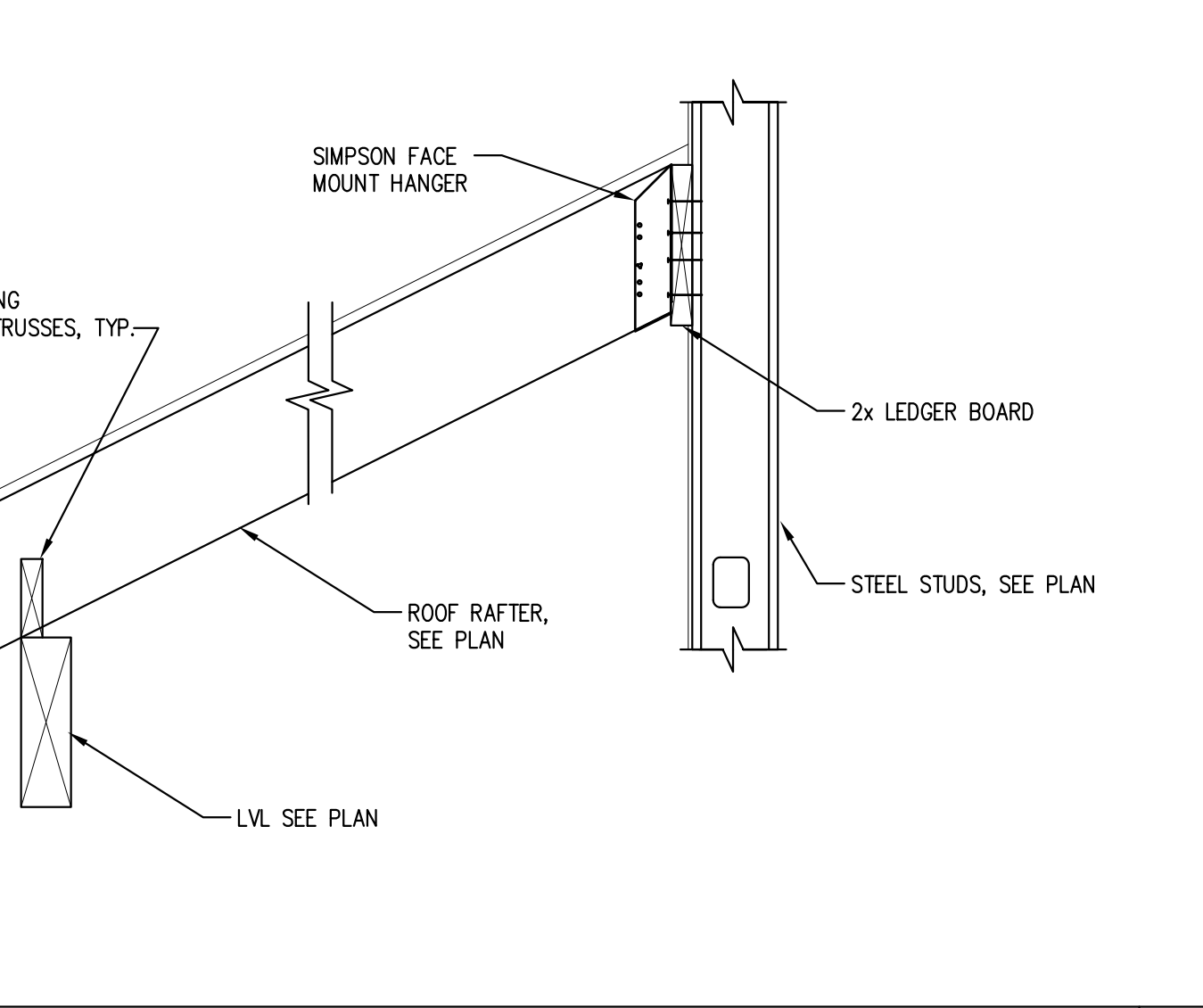
SECTION SCALE: 1"=1'-0" 5



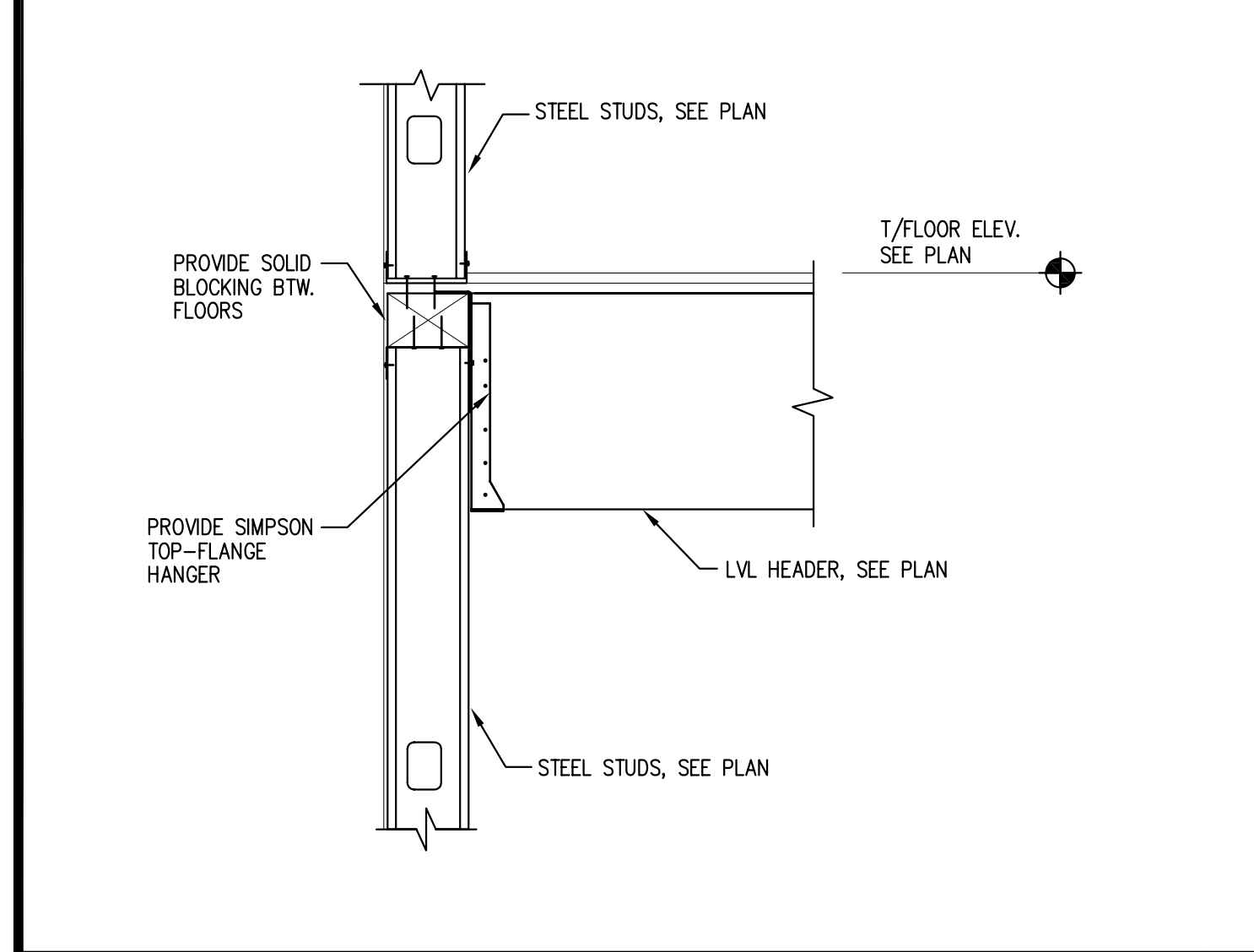
SECTION SCALE: 1"=1'-0" 6



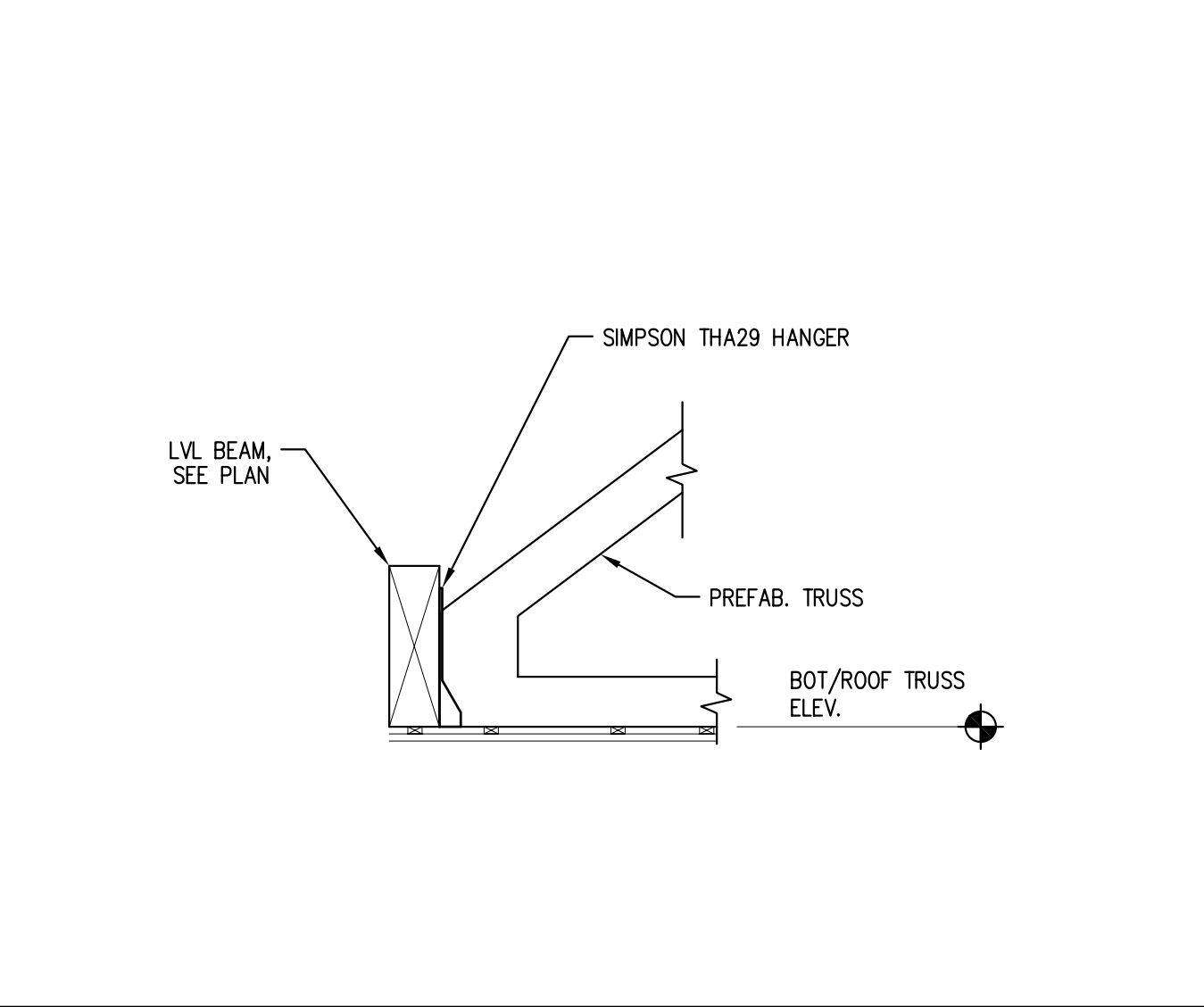
SECTION SCALE: 1"=1'-0" 7



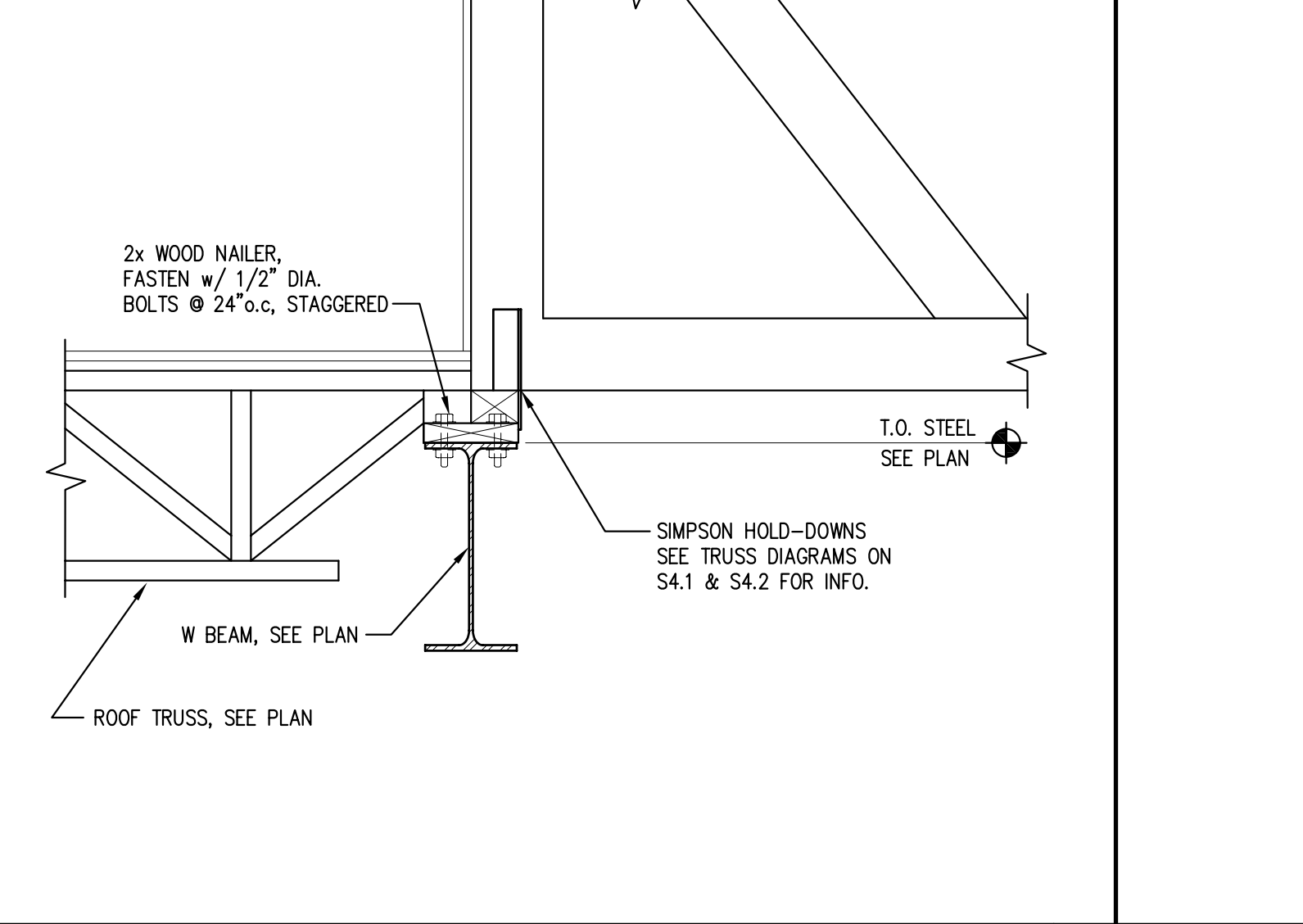
SECTION SCALE: 1"=1'-0" 8



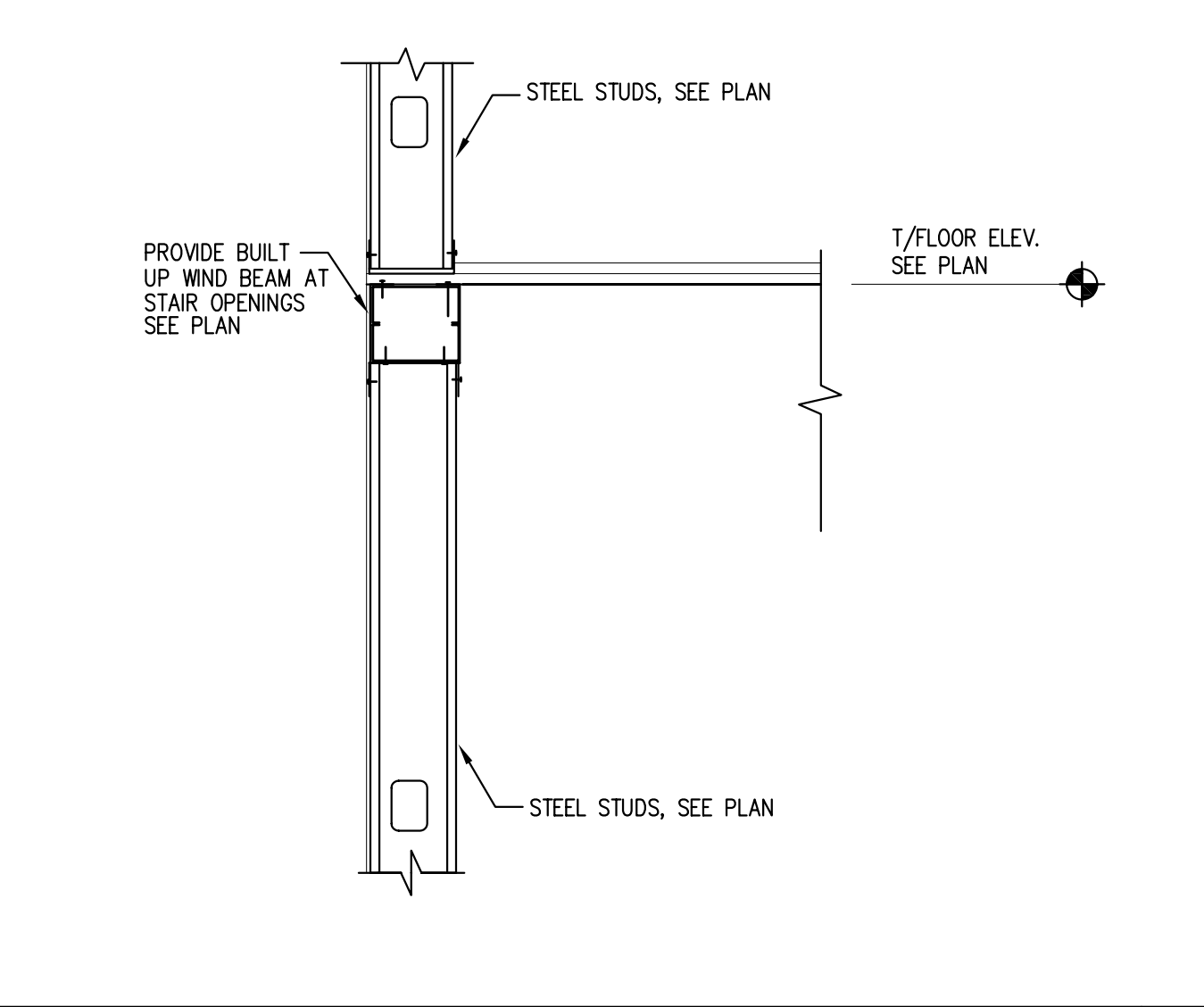
SECTION SCALE: 1"=1'-0" 9



SECTION SCALE: 1"=1'-0" 10



SECTION SCALE: 1"=1'-0" 11



SECTION SCALE: 1"=1'-0" 12

No.	DATE	ISSUE
A	3-18-07	FOR PERMIT

SHEET TITLE:  
**WOOD DETAILS**

DESIGNED: SM  
 DRAWN: PM  
 DATE: 2-7-07  
 CADD FILE: 7016-S1.DWG  
 PROJECT NUMBER: 7016