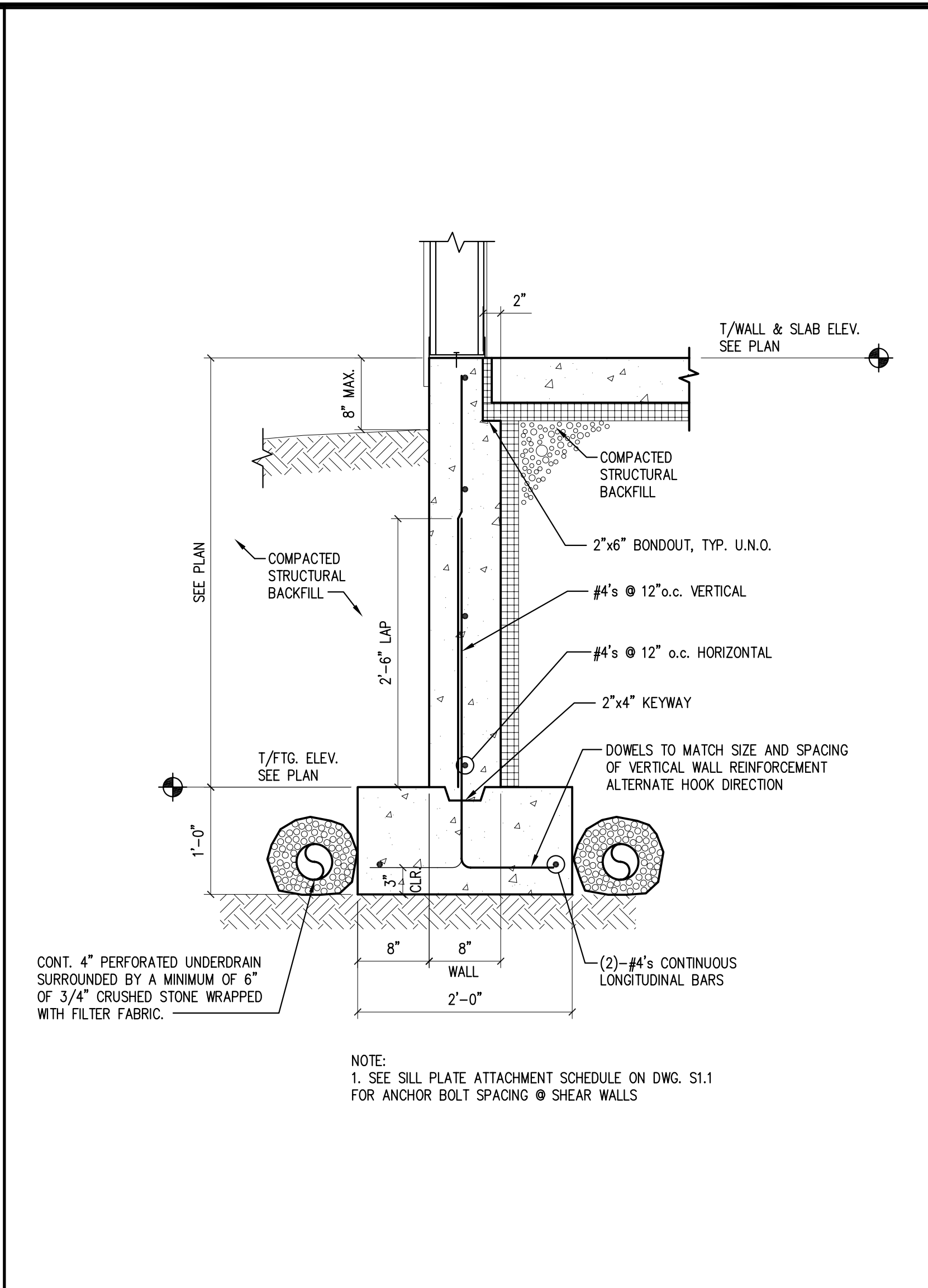
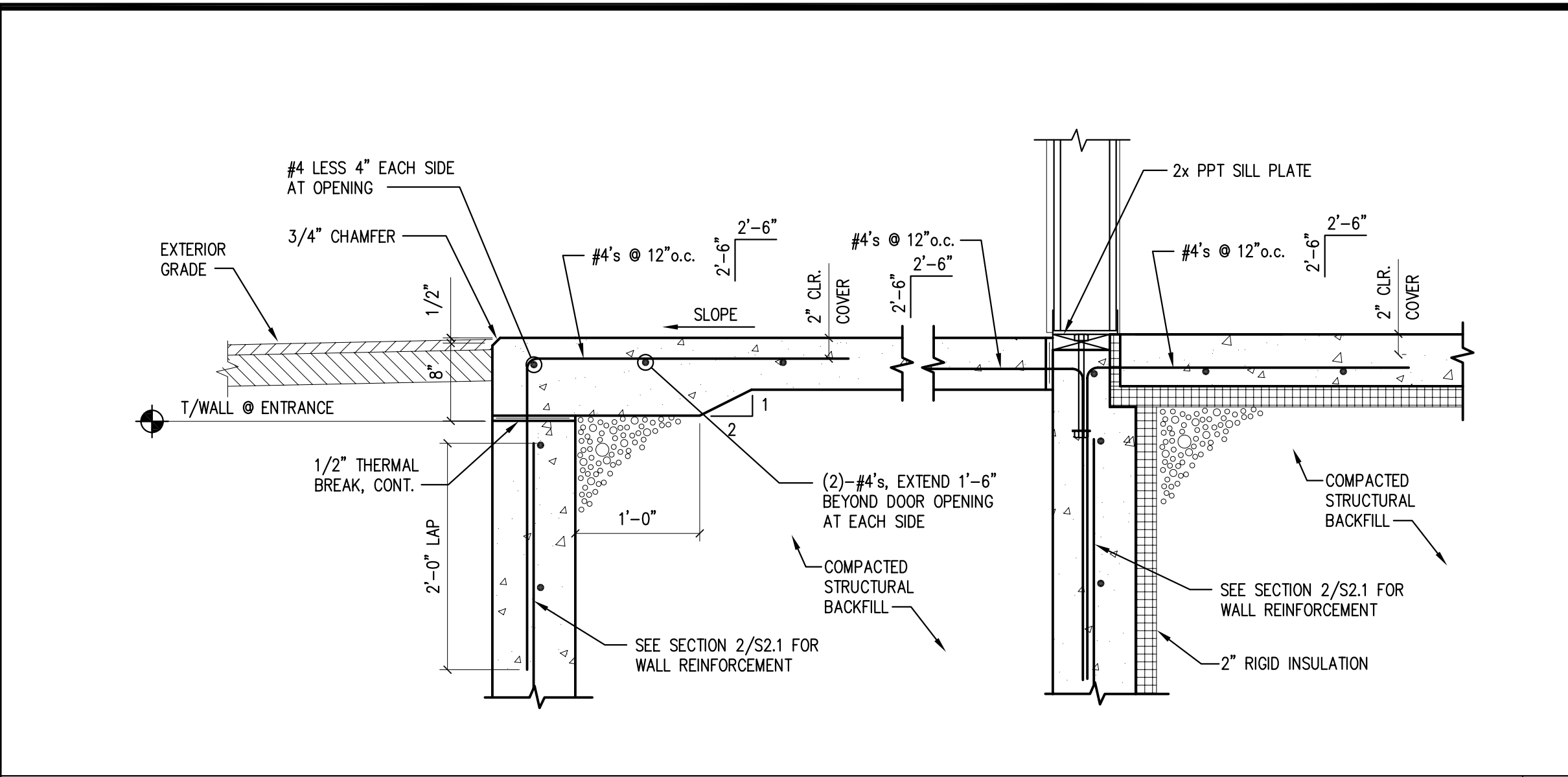


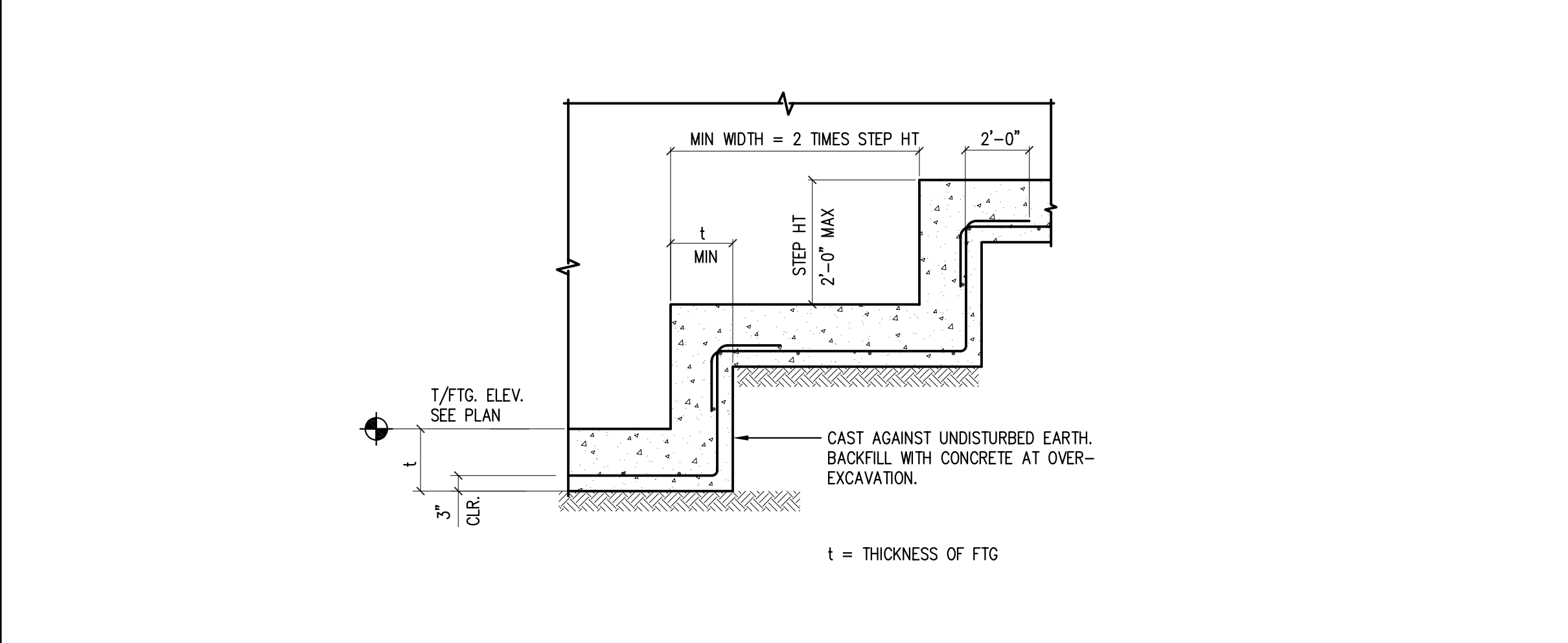
SECTION 1 SCALE: 1"=1'-0" 1



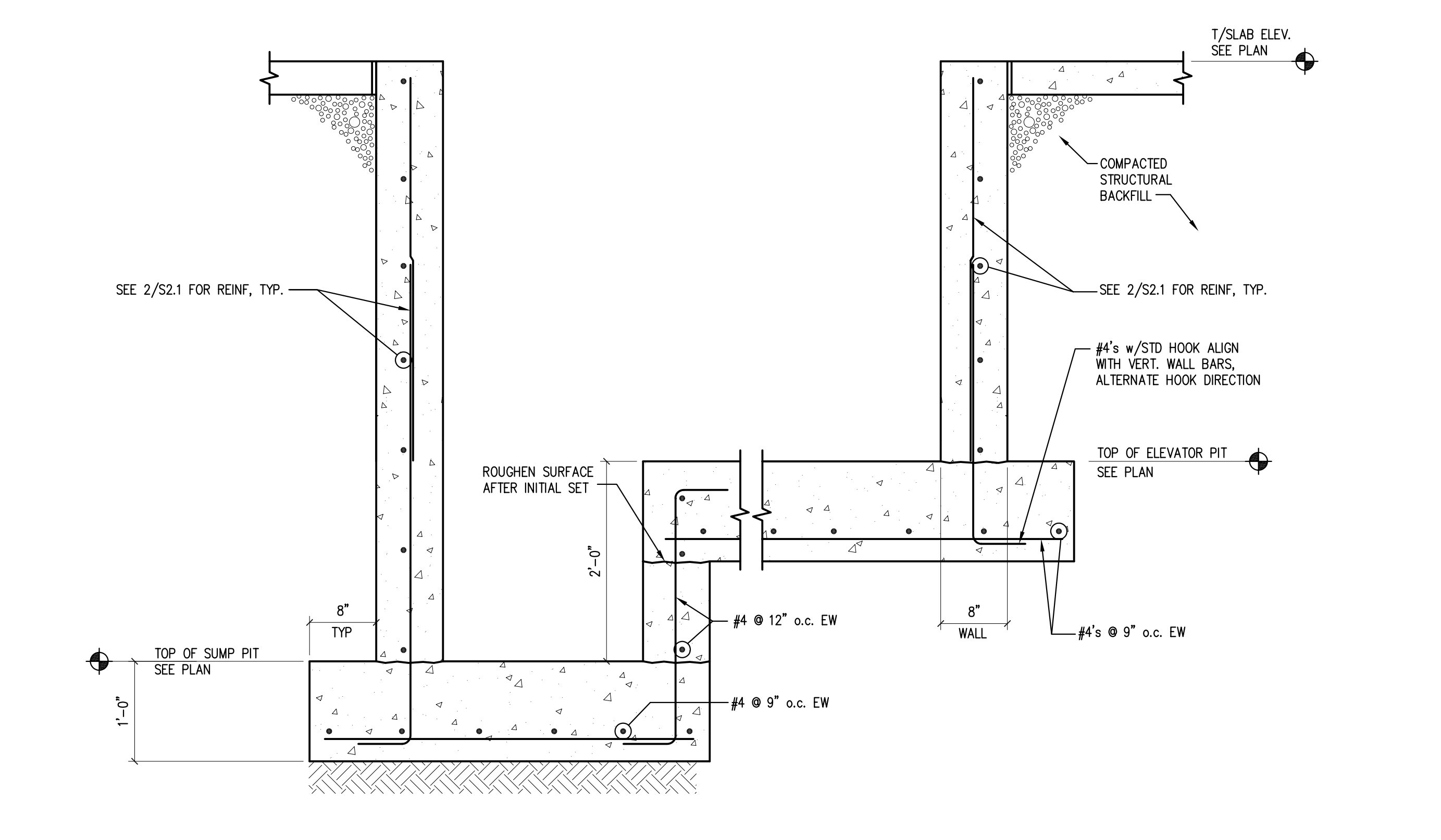
SECTION 2 SCALE: 1"=1'-0" 2



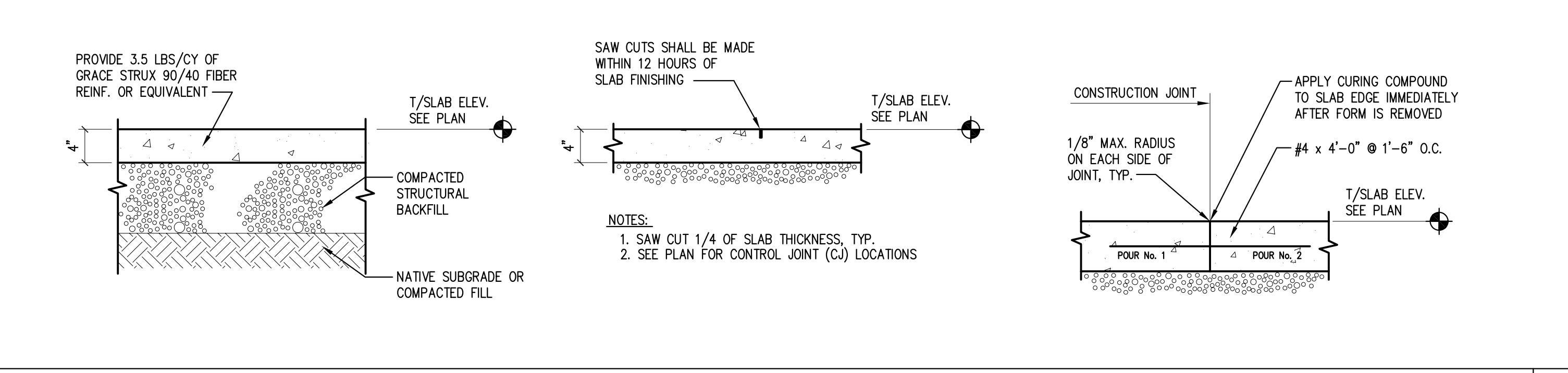
SECTION 3 SCALE: 1"=1'-0" 3



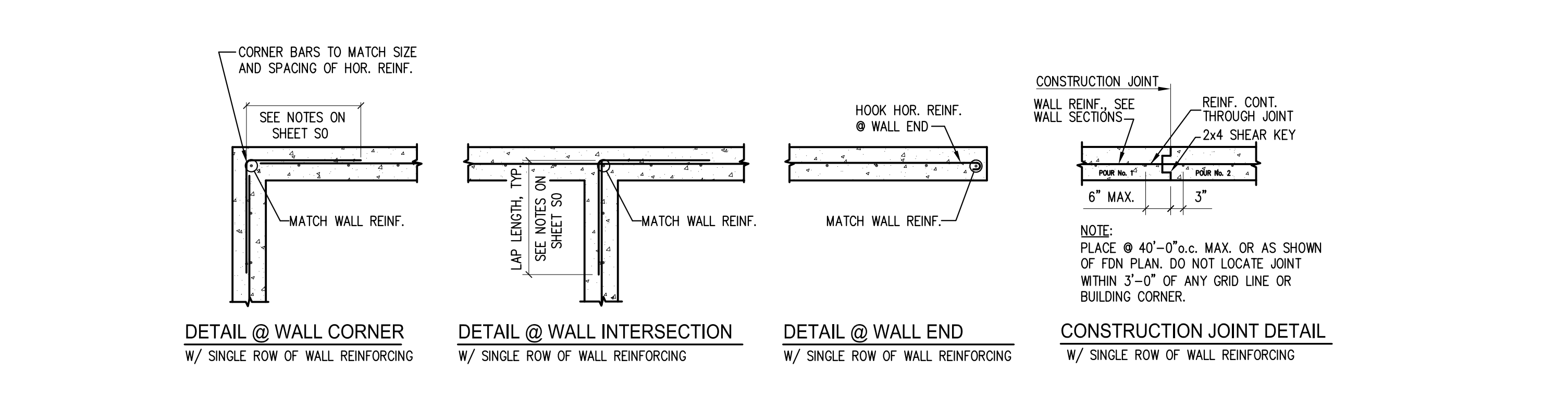
STEP FOOTING DETAIL 4 SCALE: 1/2"=1'-0" 4



SECTION 5 SCALE: 1"=1'-0" 5



SECTION 6 SCALE: 1"=1'-0" 6



SECTION 7 SCALE: 1/2"=1'-0" 7

REVISIONS	ISSUE	DATE	FOR PERMIT
No. 1	DATE		
No. 2	DATE		
No. 3	DATE		
No. 4	DATE		
No. 5	DATE		
No. 6	DATE		
No. 7	DATE		
No. 8	DATE		
No. 9	DATE		
No. 10	DATE		
No. 11	DATE		
No. 12	DATE		
No. 13	DATE		
No. 14	DATE		
No. 15	DATE		
No. 16	DATE		
No. 17	DATE		
No. 18	DATE		
No. 19	DATE		
No. 20	DATE		
No. 21	DATE		
No. 22	DATE		
No. 23	DATE		
No. 24	DATE		
No. 25	DATE		
No. 26	DATE		
No. 27	DATE		
No. 28	DATE		
No. 29	DATE		
No. 30	DATE		
No. 31	DATE		
No. 32	DATE		
No. 33	DATE		
No. 34	DATE		
No. 35	DATE		
No. 36	DATE		
No. 37	DATE		
No. 38	DATE		
No. 39	DATE		
No. 40	DATE		
No. 41	DATE		
No. 42	DATE		
No. 43	DATE		
No. 44	DATE		
No. 45	DATE		
No. 46	DATE		
No. 47	DATE		
No. 48	DATE		
No. 49	DATE		
No. 50	DATE		

SHEET TITLE: **CONCRETE DETAILS**

DESIGNED:	SM
DRAWN:	PM
DATE:	2-7-07
CADD FILE:	7016-S1.DWG
PROJECT NUMBER:	7016