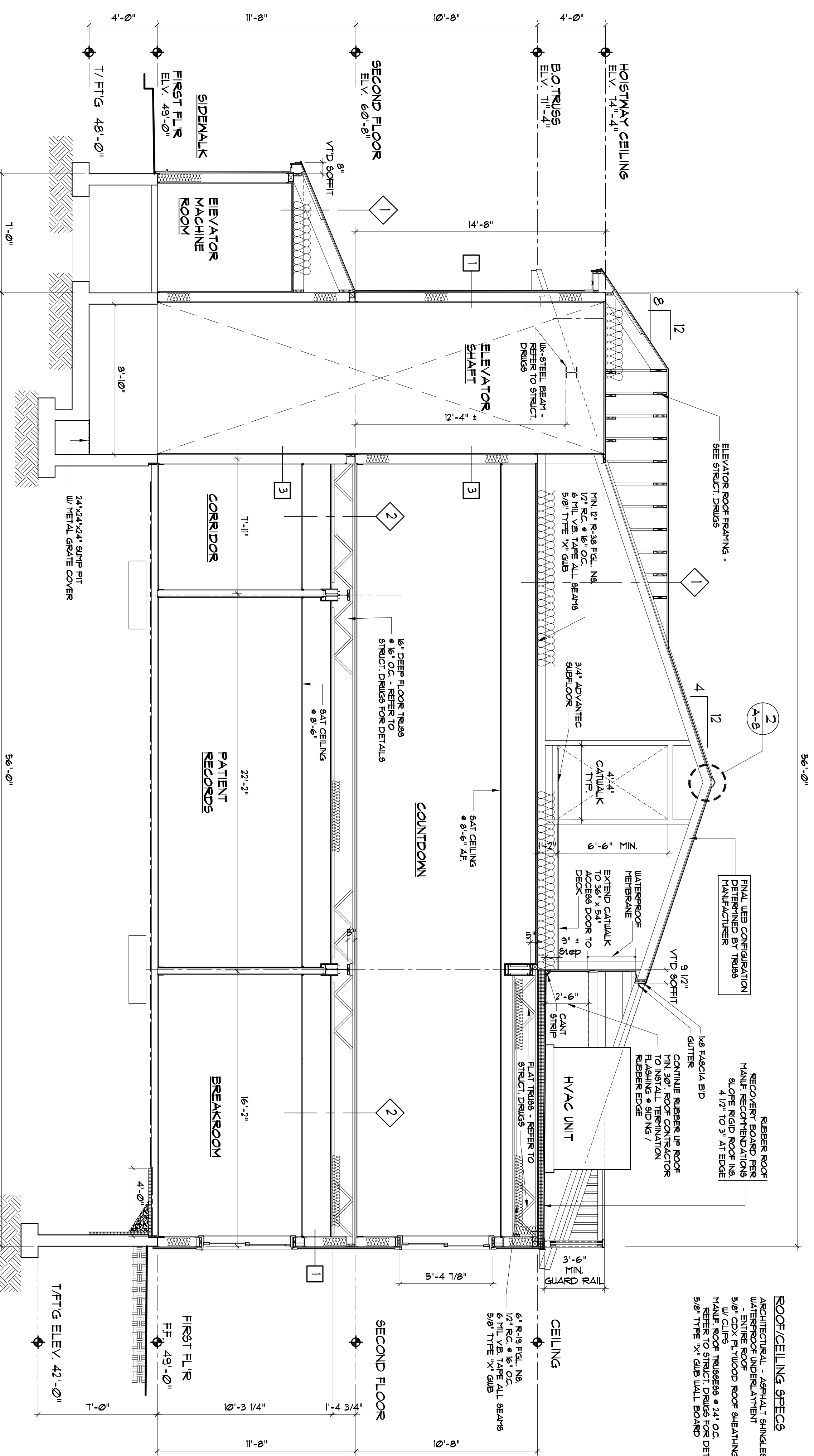
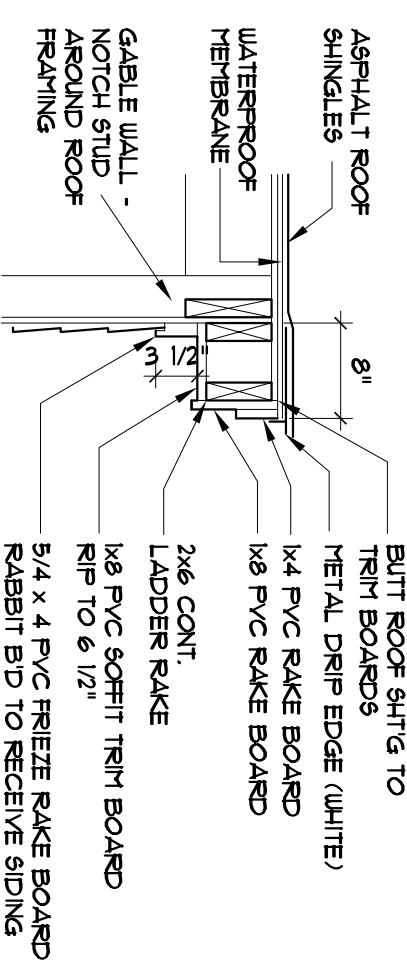


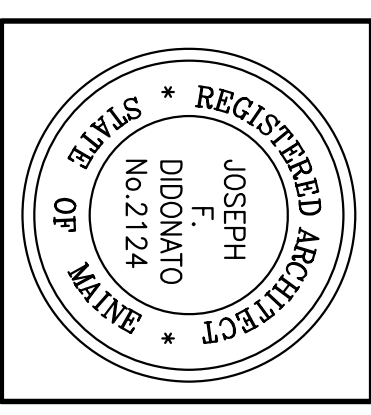
2 WALL SECTION - TYPICAL
Scale: 1/2" = 1'-0"



B BUILDING SECTION
Scale: 1/4" = 1'-0"



8" RAKE DETAIL - TYP.
Scale: 3/4" = 1'-0"



NO.	DATE:	REVISIONS

DIDONATO ARCHITECTS, INC.
134 GUINEA ROAD, KENNEBUNKPORT, ME. 04046
phone: (207) 286-2900 fax: (207) 283-4895
"E" Mail address: jfdidonato@adelphinet
www.didonatoarchitects.com

Project: **Stroudwater Station**
1577 Congress Street Portland, Maine
Owner: **1577 Congress Street Assoc. LLC**
P.O. Box 7022 Scarborough, Maine

DRAWINGS THIS SHEET
BUILDING & WALL SECTIONS

DATE: 04/03/07
REVISION DATE: JFD
SHEET: **A9**

© COPYRIGHT
REPRODUCTION OR RESALE OF THIS
DRAWING WITHOUT THE WRITTEN
PERMISSION OF DIDONATO
ARCHITECTS IS PROHIBITED