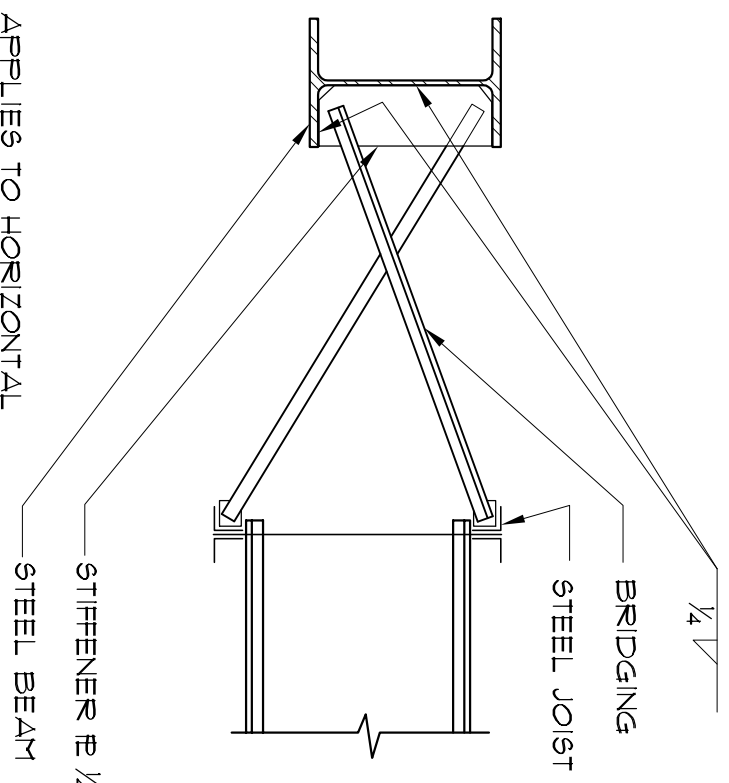


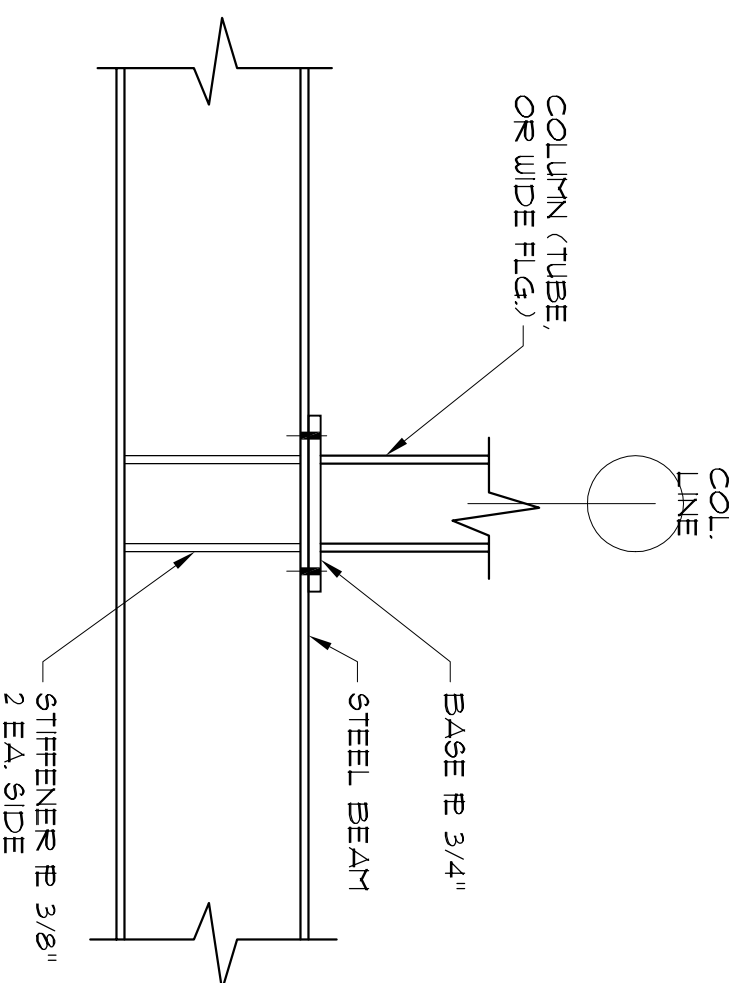
NOTE:
IF JOISTS DO NOT HAVE OPPOSITE EACH OTHER EXTEND JOISTS 2\"/>

K-SERIES JOIST @ STEEL BEAM
NTS.

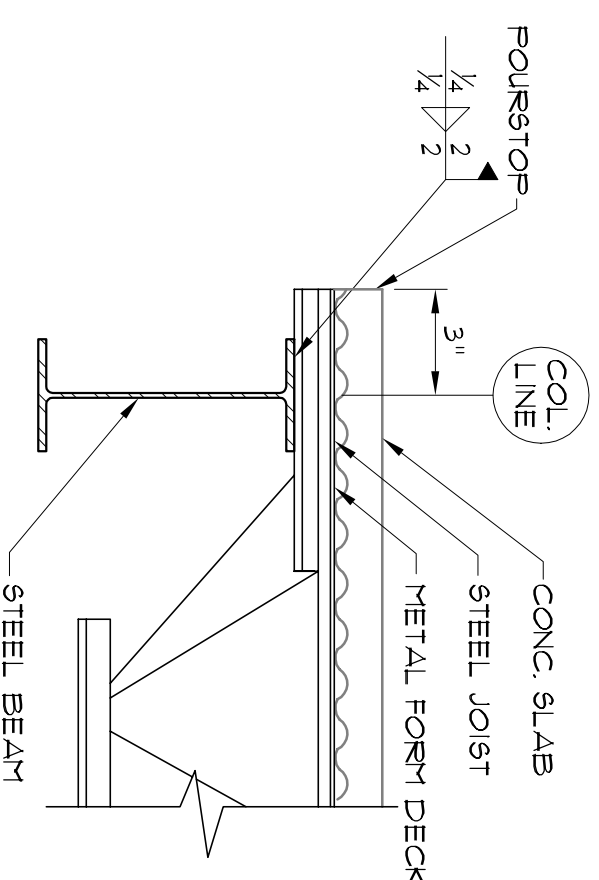


NOTE:
APPLIES TO HORIZONTAL & DIAGONAL BRIDGING.

TYP. JOIST BRIDGING TO STEEL BEAM
NTS.



TRANSFER BEAM CONNECTION
NTS.



TYP. FLOOR JOIST @ PERIMETER BEAM
NTS.

BASE PLATE THICKNESS	A	B	C	D	E	F	G
3/8"	3/4"	1"	1 1/4"	1 1/2"	1 3/4"	2"	2 1/4"
1"	1 1/8"	1 1/2"	1 3/4"	2"	2 1/4"	2 3/4"	3"

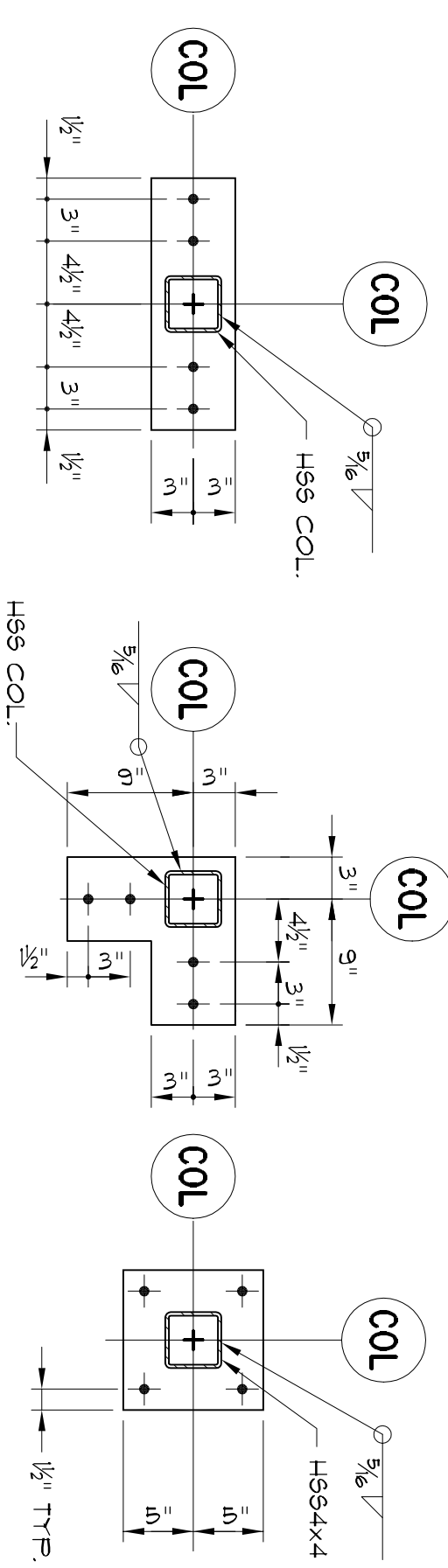
CLASSROOM WING DWG. S2						BASE PLATE THICKNESS
BASE PLATE LOCATION	NO. OF BOLTS	SIZE OF BOLTS	EMBED. THICK.	DET. AT LEFT	DET. AT RIGHT	
BRACED BAY COLUMNS						
01-HI	4	1 1/2"	36	2	2	E
01-G1	4	1 1/2"	12	2	2	E
04-HI	4	1 1/2"	36	1	1	D
04-G1	4	1 1/2"	12	3	3	C
02-HI	4	1 1/2"	36	3	3	D
02-G1	4	1 1/2"	12	1	1	C
01-HI	4	1 1/2"	36	3	3	E
01-G1	4	1 1/2"	36	2	2	E
A-04	4	1 1/2"	36	1	1	D
A-06	4	1 1/2"	36	2	2	C
GRAVITY COLUMNS						
01-E1	4	3/4"	12	2	2	A
01-B1	4	3/4"	12	2	2	A
06-B1	4	3/4"	12	2	2	E
04-B1	4	3/4"	12	3	3	B
02-B1	4	3/4"	12	1	1	F
02-A	4	3/4"	12	3	3	F
01D-B1	4	3/4"	12	3	3	A
01A-B1	4	3/4"	12	3	3	A
01A-A	4	3/4"	12	1	1	E

LINTELS		BEARINGS	
OPENING	LINTEL	BEARING	8" MIN EA END
4'-6" OR LESS	L4x3 1/2x3/8 LLV	8" MIN EA END	8" MIN EA END
12'-6"	L6x3 1/2x3/8 LLV	8" MIN EA END	8" MIN EA END

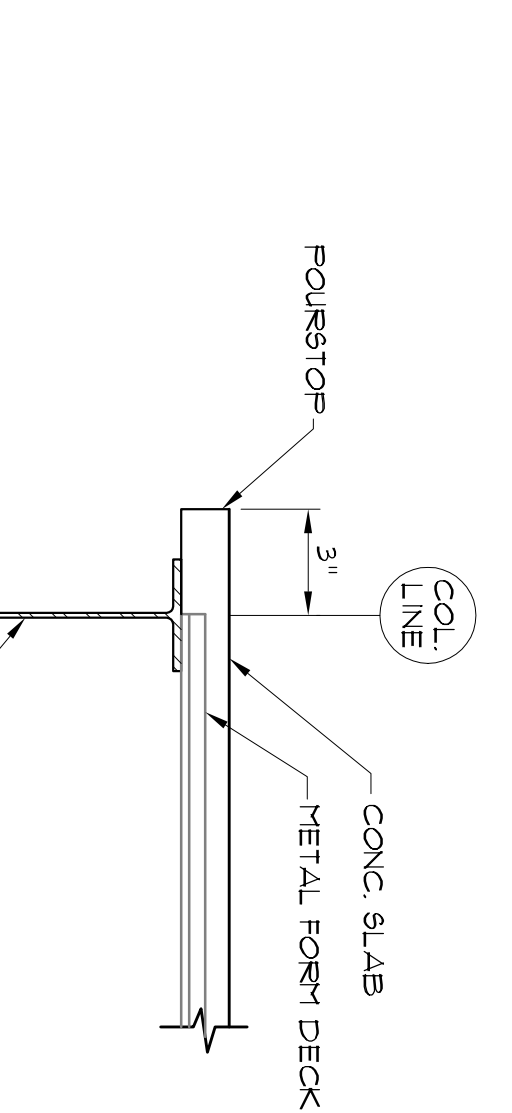
NOTES: ALL LINTELS GALVANIZED

LINTELS		BEARINGS	
OPENING	LINTEL	BEARING	8" MIN EA END
4'-6" OR LESS	L4x3 1/2x3/8 LLV	8" MIN EA END	8" MIN EA END
12'-6"	L6x3 1/2x3/8 LLV	8" MIN EA END	8" MIN EA END

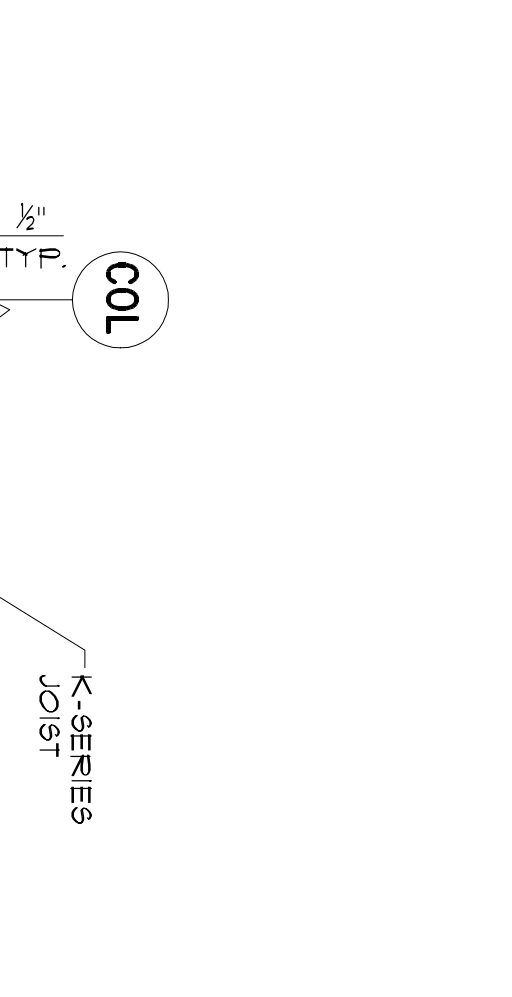
NOTES: ALL LINTELS GALVANIZED



BASE PLATE - TYPE I

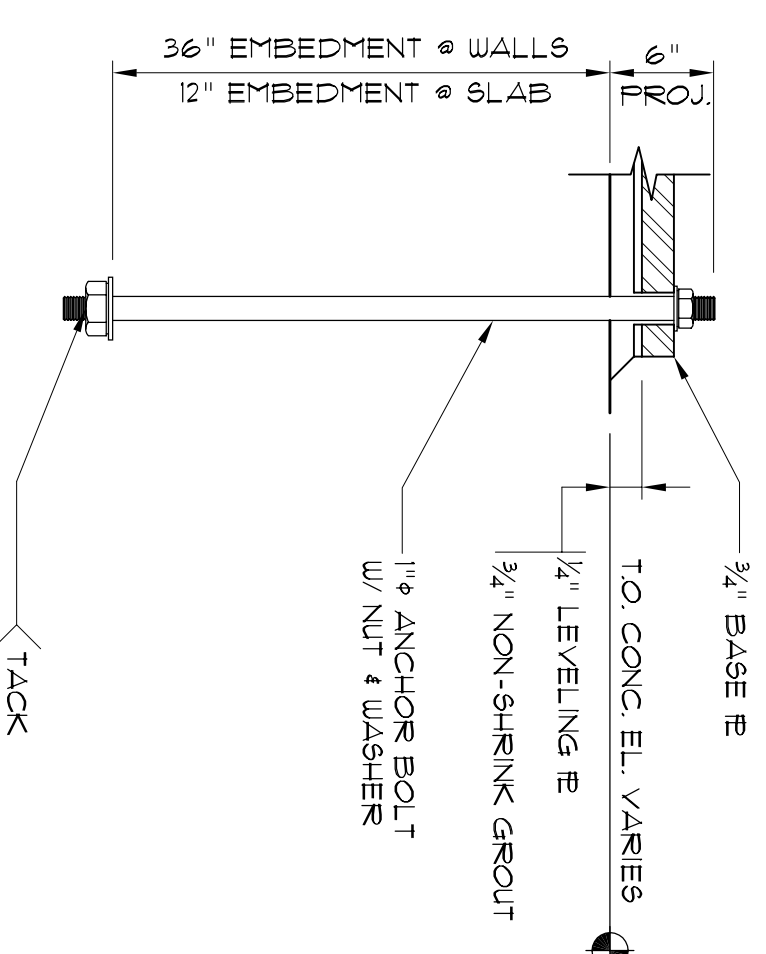


BASE PLATE - TYPE II

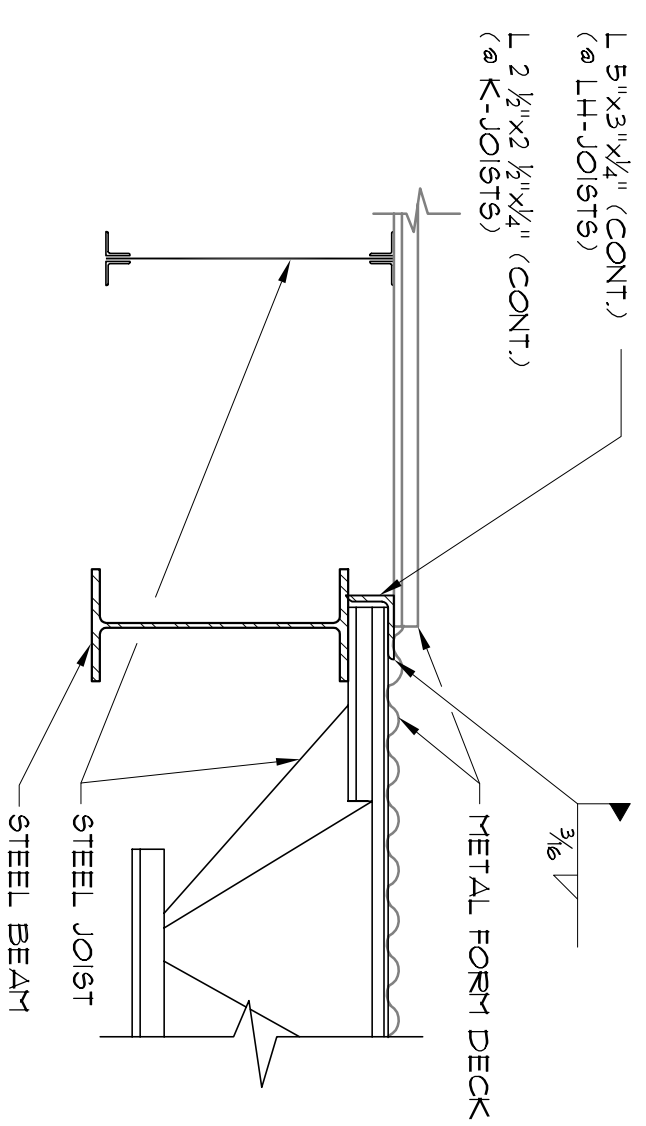


BASE PLATE - TYPE III

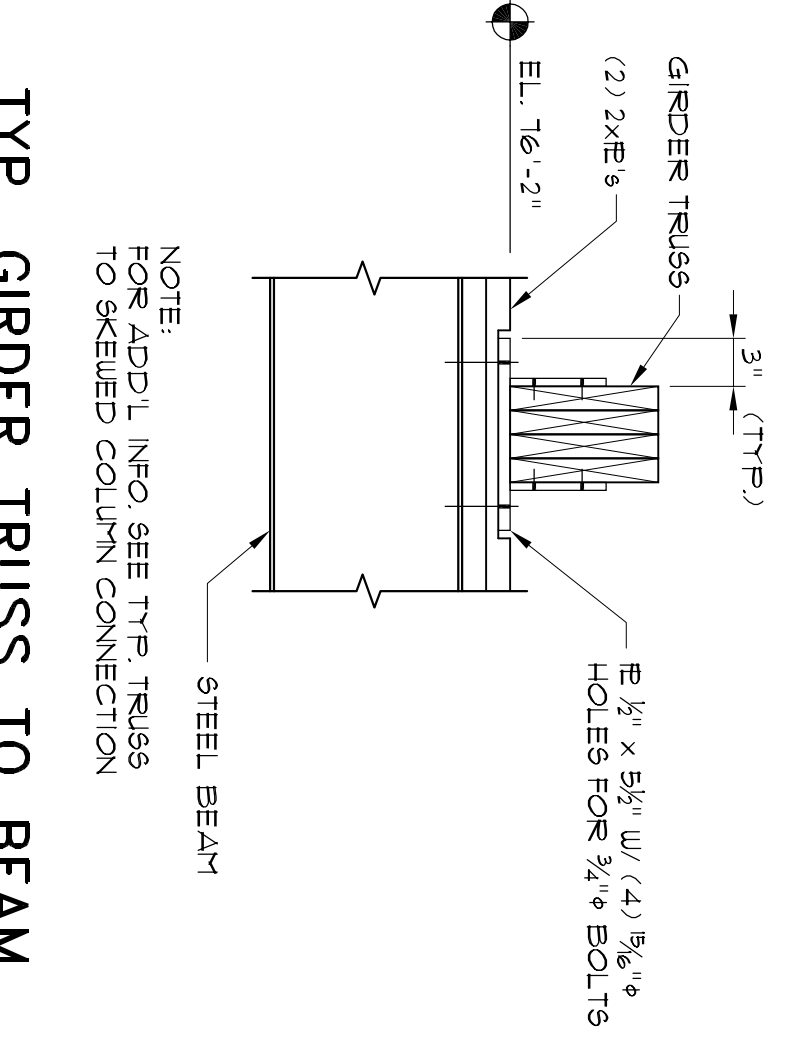
TYP. SLAB @ PERIMETER BEAM
NTS.



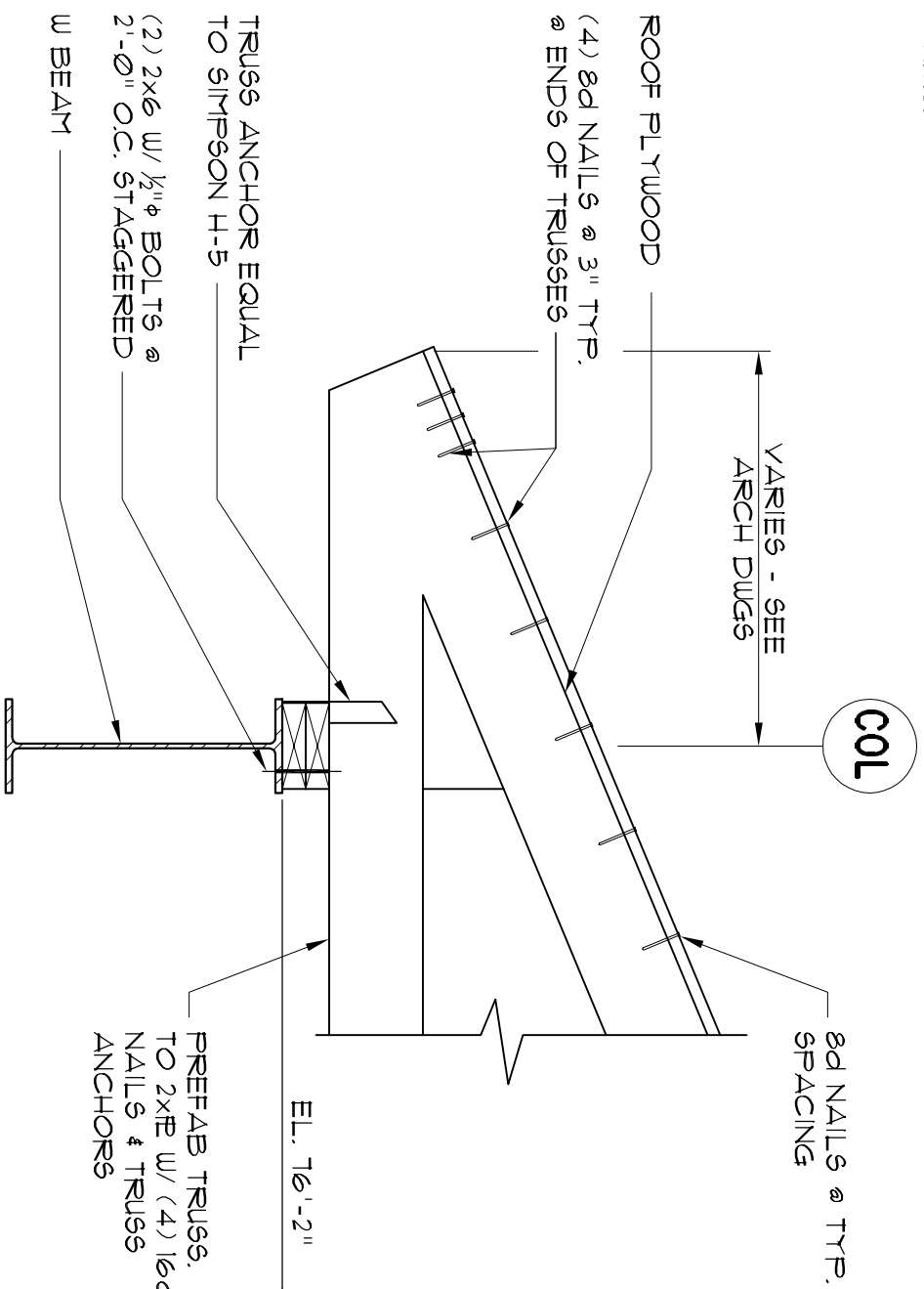
ANCHOR BOLT DETAIL
NTS.



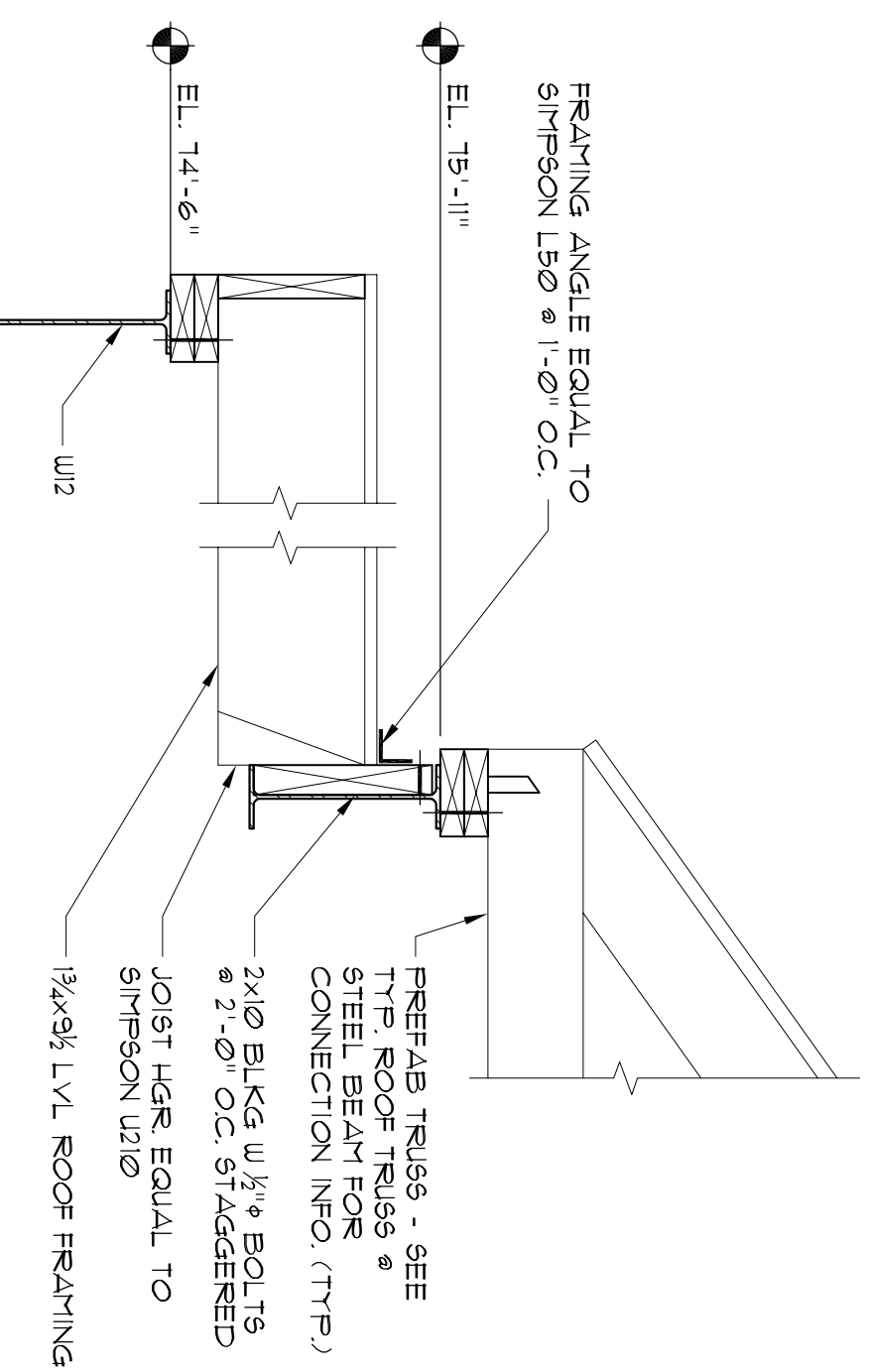
CHANGE IN DIRECTION OF METAL DECK
NTS.



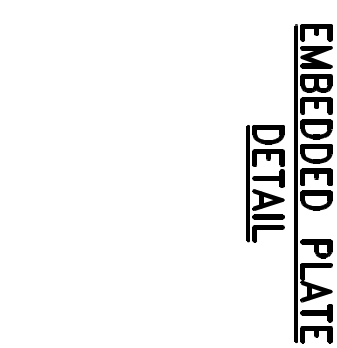
TYP. GIRDER TRUSS TO BEAM CONNECTION
NTS.
TYP. 4 PLCS



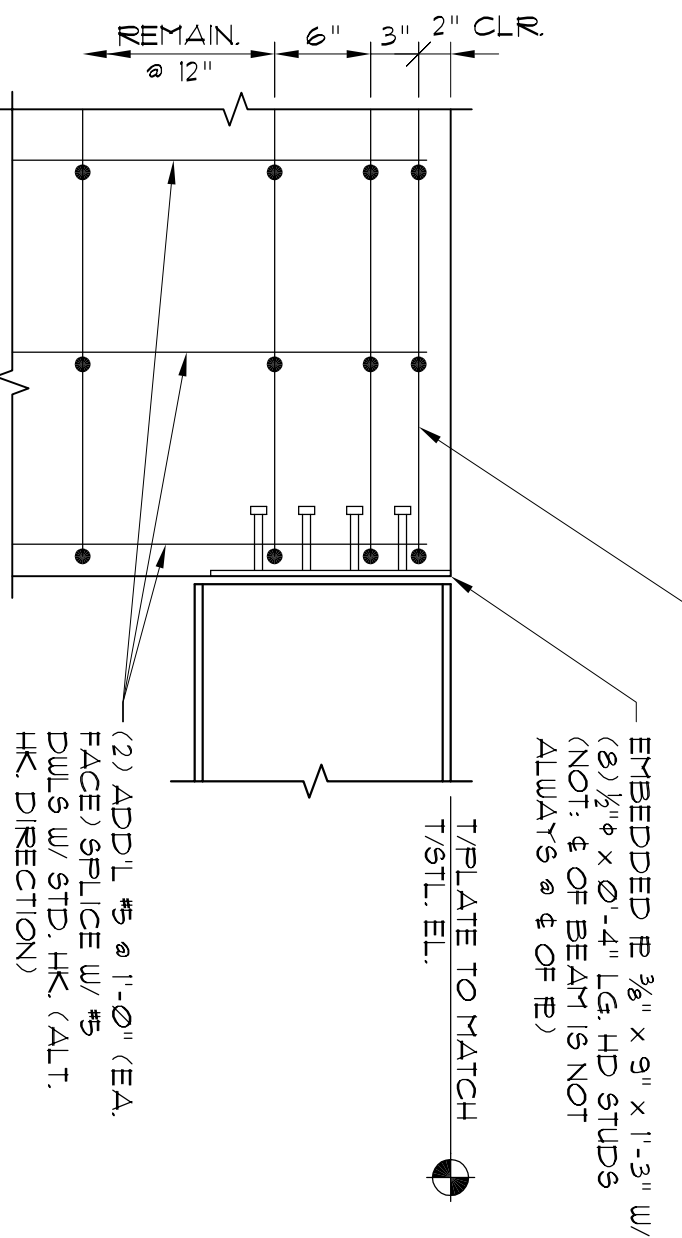
TYP. ROOF TRUSS @ STEEL BEAM
NTS.



K-SERIES JOIST @ TUBE COLUMN
NTS.

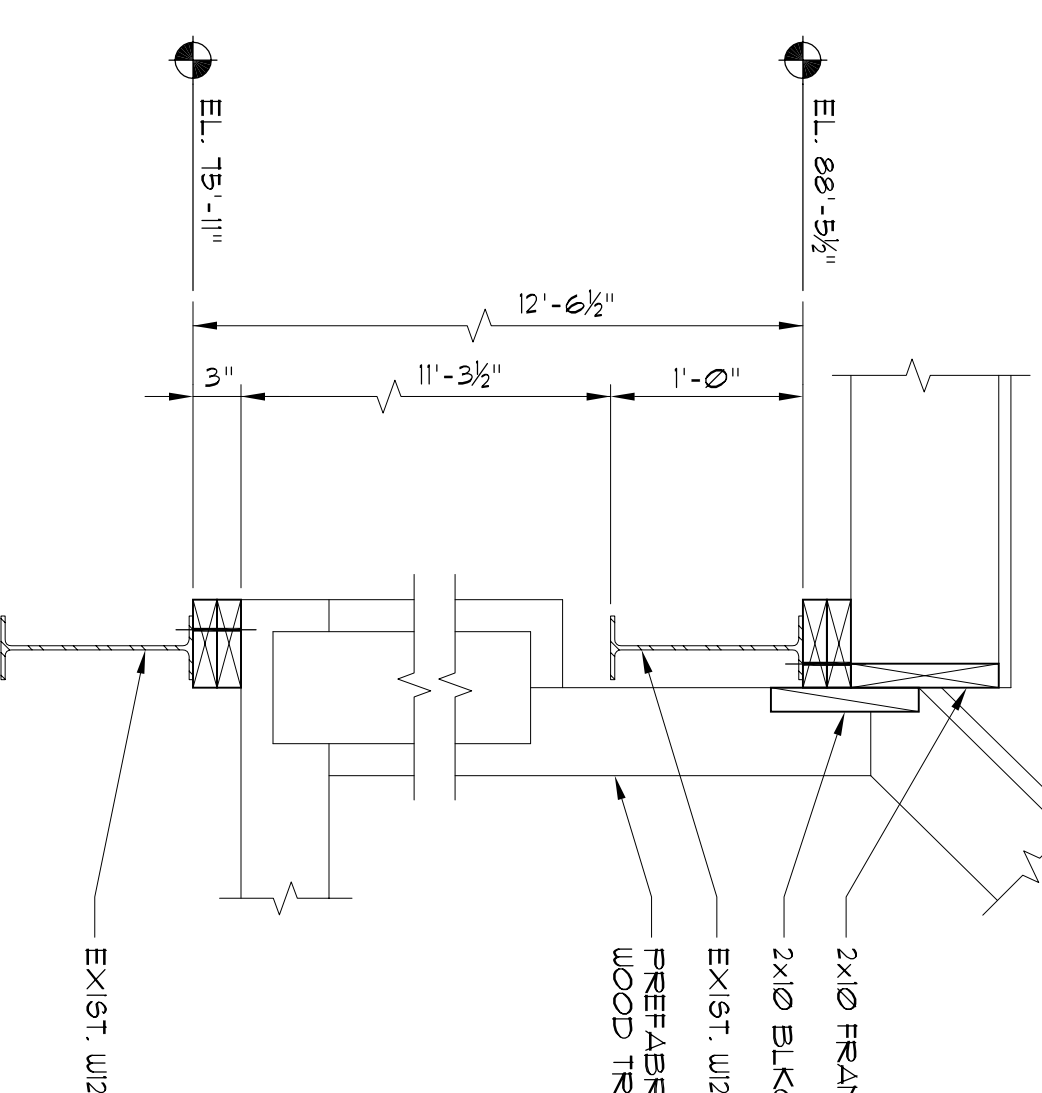


EMBEDDED PLATE DETAIL

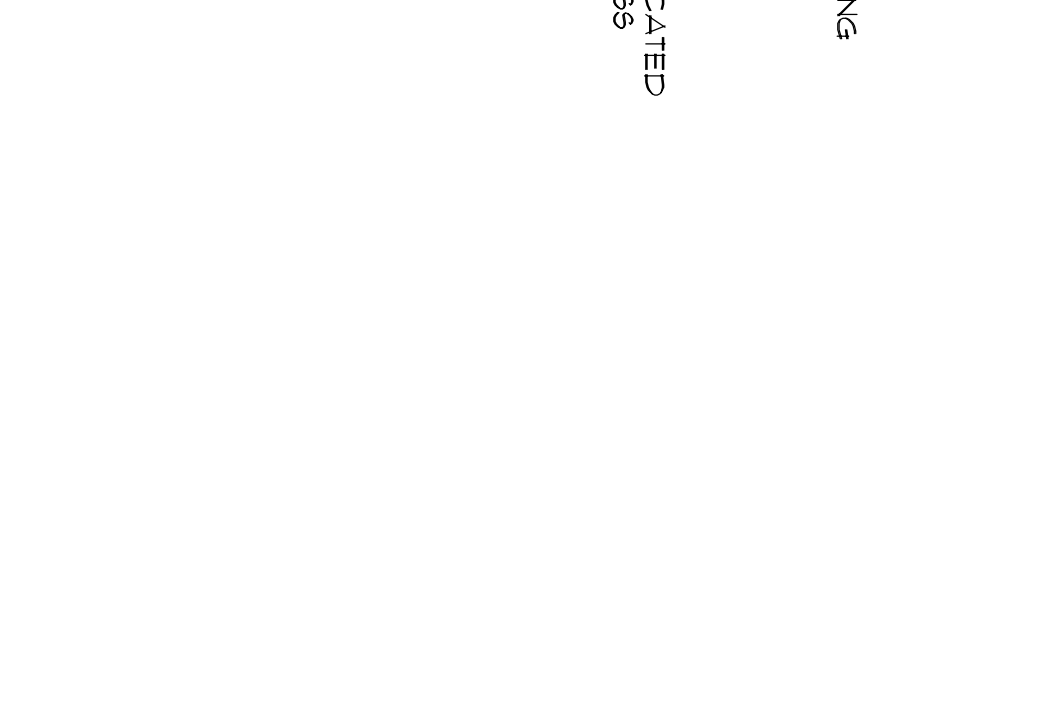


NOTES:
1. WALL REINFC NOT SHOWN FOR CLARITY.
2. WHERE ADD'L REINFC IS REQUIRED, REINFC BOTH EMBEDDED CON. & 3\"/>

TYP. EMBEDDED CONNECTION PLATE
NTS.



SECTION 1
NTS.



SECTION 3
NTS.

MAINE ORTHOPAEDICS CENTER
FROST STREET, PORTLAND, MAINE

WHIPPLE CALLENDER ARCHITECTS
551 CONGRESS ST.
PORTLAND ME 04101
719-2686

INKHAM & GREER
CONRAD W. INKHAM, M.S.
THERESA M. GREER

DATE: SEPT. 2004
PROJECT NUMBER: 04337
SCALE: 1/4"=1'-0"
DRAWN: TUB
CHECKED: JAY III
REVISED

CONTENTS
STRUCTURAL DETAILS & CONNECTIONS

SHEET 57