



Portland, Maine



Yes. Life's good here.

Permitting and Inspections Department

### Fire Alarm Permit Application

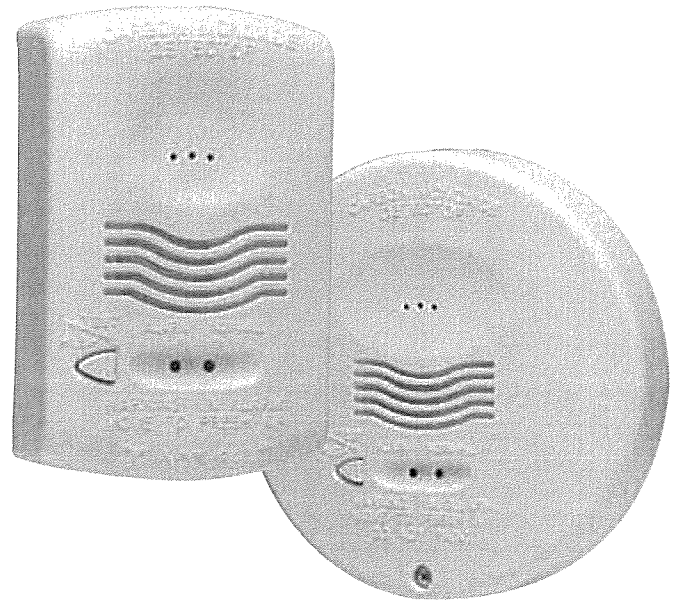
Construction Address: 1600 Congress Street	
Total Square Footage of Proposed Structure:	
<b>Tax Assessor's Chart, Block &amp; Lot</b>	<b>Applicant Name:</b> Cunningham Security Systems
Chart# 220	Block# B
Lot# 10	Address: 10 Princes Point Rd Yarmouth, ME 04096
Cost of Work: \$ 8768	Phone: 846-3350
	Email: michelle@cunninghamsecurity.com
<b>Lessee/Owner Name (if different):</b> 164 Realty Inc	<b>Contractor Name (if different):</b>
Address: PO Box 66749 Falmouth ME 04105	Address:
Phone:	Phone:
Email:	Email:
Current use (i.e. single family): Office & Business Service	
If vacant, what was the previous use?	
Proposed specific use: Office & Business Service	
Is property part of a subdivision? If yes, name: No	
Project description: Installation of additional fire alarm devices to be tied to existing fire alarm system.	
Life Safety Code Occupancy Classification:	
Is this new work or a renovation to an existing system? new	
Is the top occupiable floor of the building greater than 75 feet above the lowest level of Fire Department access (high-rise)? No	
Name of company providing programming and certification of system*: Cunningham Security Systems	
Electrical permit #: ELEC2019-02234	
<b>Will a master box be installed?</b> <input type="radio"/> Yes <input checked="" type="radio"/> No <b>If yes, complete all items for approval:</b>	
AES approved installing contractor:	
Documentation of AES approval:	
Property Owner:	
Property Owner Billing Address:	
Property common name:	
E-911 address for protected premises:	
Emergency contact phone: Additional emergency contact phone:	
Number of stories protected:	
Is the building protected by a supervised, automatic sprinkler system? <input checked="" type="radio"/> Yes <input type="radio"/> No	
<b>Name of person to contact when the permit is ready:</b> Michelle O'Brien	
<b>Address:</b> 10 Princes Point Rd	
<b>City, State &amp; Zip:</b> Yarmouth, ME 04096	
<b>Email Address:</b> michelle@cunninghamsecurity.com	<b>Phone:</b> 846-3350

\*For a list of approved fire alarm companies, see [www.portlandmaine.gov/1486/Approved-Fire-Alarm-Companies](http://www.portlandmaine.gov/1486/Approved-Fire-Alarm-Companies)  
389 Congress Street, Room 315/Portland Maine 04101/[www.portlandmaine.gov](http://www.portlandmaine.gov)/tel: 207-874-8703/fax: 207-874-8716



## CO1224T and CO1224TR Carbon Monoxide Detectors with RealTest® Technology

*The System Sensor CO1224T and CO1224TR (round) Carbon Monoxide (CO) Detectors use a highly accurate and reliable electrochemical sensing cell to provide early warning of dangerous CO levels.*



### Features

- RealTest® enables a functional test using canned CO
- Full compliance with UL 2075
- A code-required trouble relay
- Wiring supervision with SEMS terminals
- A six-year end-of-life timer
- 12/24 VDC
- A low current draw of 20 mA in standby and 40 mA in alarm
- Versatile mounting for wall and ceiling
- Accurate and reliable electrochemical sensing technology
- Optional CO-PLATE CO Detector Replacement Plate to upgrade previously installed competitor detectors to the CO1224T

**With RealTest® technology,** the CO gas sensing cell used in the CO1224T and CO1224TR CO detectors can be tested using a CO gas agent, fully meeting the requirements of NFPA 720: 2009. Simply put the detector into RealTest mode, spray a small amount of CO into the detector per the installation instructions, and within seconds the detector will alarm, indicating successful gas entry. (See the reverse page or the user manual for complete instructions.)

When dangerous amounts of CO are detected, the CO1224T and CO1224TR detectors alert residents by sounding and flashing a temp 4 signal alarm. With 24/7 central station monitoring, residents are guaranteed protection whether they are away from home, sleeping, or already suffering from the effects of CO.

The CO1224T and CO1224TR are designed for system operation. These detectors are fully listed to UL 2075 and offer a code-required trouble relay to send a sensor failure or end-of-life signal to the control panel and the central station. The CO1224T and CO1224TR also use SEMS-type terminal Philips head screws for quicker and more positive wiring connections and code-required wiring supervision. With a low current draw, these detectors enable more devices to be connected to the panel, limiting the need to purchase extra power supplies or more expensive panels. As 12/24 VDC detectors, the CO1224T and CO1224TR will operate on most industry security and fire alarm control panels.

### Agency Listings





# CO1224T and CO1224TR Carbon Monoxide Detector Specifications

## Architectural/Engineering Specifications

Carbon monoxide (CO) detector shall be a system-connected System Sensor model number CO1224T or CO1224TR listed to Underwriters Laboratories UL 2075 for Gas and Vapor Detectors and Sensors. The detector shall be equipped with a sounder and a trouble relay. The detector's base shall be able to mount to a single-gang electrical box or direct (surface) mount to the wall or ceiling. Wiring connections shall be made by means of SEMS screws. The detector shall provide dual-color LED indication that blinks to indicate normal standby, alarm, or end-of-life. When the sensor supervision is in a trouble condition, the detector shall send a trouble signal to the panel. When the detector gives a trouble or end-of-life signal, the detector shall be replaced. The detector shall provide a means to test CO gas entry into the CO sensing cell. The detector shall provide this with a test mode that accepts CO gas from a test agent and alarms immediately upon sensing CO entry. The detector shall perform in the detection of CO up to 12,000 feet above sea level and alarm within the time specified by ANSI/UL 2034 for CO concentrations of 70, 150 and 400 parts per million (ppm), as verified by a Nationally Recognized Test Laboratory.

## Electrical Specifications

Operating Voltage	12/24 VDC
Audible Signal	85 dB in alarm
Standby Current	20 mA
Alarm Current	40 mA (75 mA test)
Alarm Contact Ratings	0.5 A @ 30 VDC
Trouble Contact Ratings	0.5 A @ 30 VDC

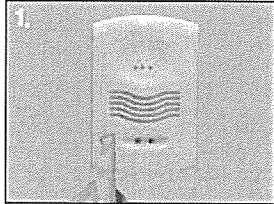
## Physical Specifications

Size: CO1224T	Length: 5.1 in, Width: 3.3 in, Height: 1.3 in
CO1224TR	Diameter: 6 in, Height: 1.3 in
Approximate Weight	CO1224T: 7 oz ; CO1224TR: 11 oz
Operating Temperature Range	32°F to 104° F (0°C to 40° C)
Operating Humidity Range	22 to 90% RH
Input Terminals	14 to 22 AWG
Mounting	Single-gang back box; surface mount to wall or ceiling

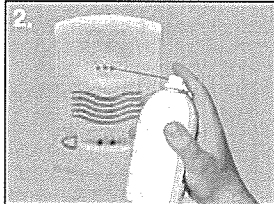
## Operation Modes

Operation Mode	Green LED	Red LED	Sounder
Normal (standby)	Blink 1 per minute	—	—
Alarm	—	Blink in temp 4 pattern	Sound in temp 4 pattern

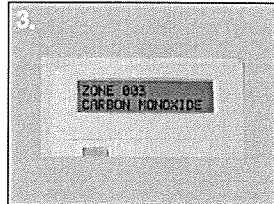
RealTest® Feature: The System Sensor CO1224T and CO1224TR Carbon Monoxide Detectors with RealTest enable evaluation of the functionality of the CO sensing cell using a canned CO test agent.



Push and hold the Test/Hush button for two seconds to enter RealTest mode. The green LED will flash once every second to indicate RealTest mode has started.



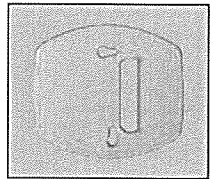
Spray canned CO agent into the detector.



Verify CO sensing at the control panel. The detector will automatically exit RealTest alarm mode after about 20-60 seconds.

**NOTE:** Check with local codes and the AHJ to determine if a functional gas test is desired for an installation.

- Hush Feature: Pushing the Test/Hush button will silence the sounder for 5 minutes (except in RealTest mode).
- Trouble Feature: When the detector is in a trouble condition, it will send a trouble signal to the panel.
- End-of-Life Timer: After the detector's internal sensor has reached the end of its life, a trouble signal will be sent to the panel to indicate it is time to replace the detector. An electrochemical CO detector lifespan is about six years. The detector must be replaced by the date marked on the inside of the product.
- CO-PLATE: System Sensor also offers the CO-PLATE CO Detector Replacement Plate to cover the footprint (when necessary) of previously installed competitive carbon monoxide detectors that require replacement.



CO-PLATE

## Ordering Information

Part No.	Description
CO1224T	12/24 volt, 4-wire system-monitored carbon monoxide detector with RealTest® Technology
CO1224TR	12/24 volt, 4-wire system-monitored round carbon monoxide detector with RealTest® Technology
CO-PLATE	CO detector replacement plate to cover the footprint of previously installed competitive detectors as necessary



3825 Ohio Avenue • St. Charles, IL 60174  
Phone: 800-SENSOR2 • Fax: 630-377-6495  
www.systemsensor.com

©2012 System Sensor.  
Product specifications subject to change without notice. Visit systemsensor.com for current product information, including the latest version of this data sheet.  
SCDS00100 • 4/12



# MMF-300(A) Series, MDF-300(A)

## Addressable Monitor Modules



### Addressable Devices

#### General

Four different monitor modules are available for Fire•Lite's intelligent control panels to suit a variety of applications. Monitor modules are used to supervise a circuit of dry-contact input devices, such as conventional heat detectors and pull stations, or monitor and power a circuit of two-wire smoke detectors (MMF-302(A)).

**MMF-300(A)** is a standard-sized module (typically mounts to a 4" [10.16 cm] square box) that supervises either a Style D (Class A) or Style B (Class B) circuit of dry-contact input devices.

**MMF-301(A)** is a miniature monitor module a mere 1.3" (3.302 cm) H x 2.75" (6.985 cm) W x 0.5" (1.270 cm) D used to supervise a Style B (Class B) circuit of dry-contact input devices. Its compact design allows the MMF-301(A) to be mounted in a single-gang box behind the device it monitors.

**MMF-302(A)** is a standard-sized module used to monitor and supervise compatible two-wire, 24 volt, smoke detectors on a Style D (Class A) or Style B (Class B) circuit.

**MDF-300(A)** is a standard-sized dual monitor module used to monitor and supervise two independent two-wire Style B (Class B) dry-contact initiating device circuits (IDCs) at two separate, consecutive addresses in intelligent, two-wire systems.

LiteSpeed™ is a communication protocol developed by Fire•Lite Engineering that greatly enhances the speed of communication between analog intelligent devices. Intelligent devices communicate in a grouped fashion. If one of the devices within the group has new information, the panel CPU stops the group poll and concentrates on single points. The net effect is response speed greater than five times that of other designs. designs.

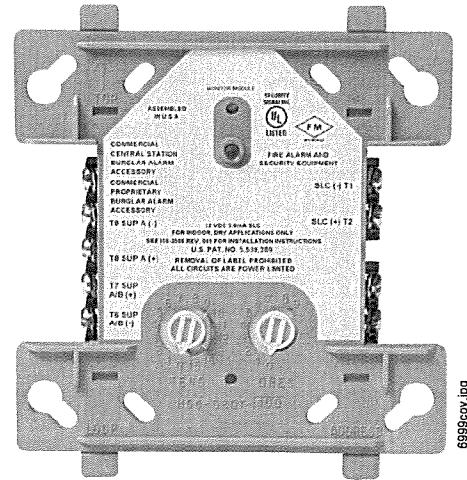
#### MMF-300(A) Monitor Module

- Built-in type identification automatically identifies this device as a monitor module to the control panel.
- Powered directly by two-wire SLC loop. No additional power required.
- High noise (EMF/RFI) immunity.
- SEMS screws with clamping plates for ease of wiring.
- Direct-dial entry of address: 01 – 159 on MS-9600 series panels, 01 – 99 on other compatible systems.
- LED flashes during normal operation and latches on steady to indicate alarm.

The MMF-300(A) Monitor Module is intended for use in intelligent, two-wire systems, where the individual address of each module is selected using the built-in rotary switches. It provides either a two-wire or four-wire fault-tolerant Initiating Device Circuit (IDC) for normally-open-contact fire alarm and supervisory devices. The module has a panel-controlled LED indicator. The MMF-300(A) can be used to replace M300(A) modules in existing systems.

#### MMF-300(A) APPLICATIONS

Use to monitor a zone of four-wire smoke detectors, manual fire alarm pull stations, waterflow devices, or other normally-open dry-contact alarm activation devices. May also be used to monitor normally-open supervisory devices with special supervisory indication at the control panel. Monitored circuit



MMF-300(A) (Type H)

may be wired as an NFPA Style B (Class B) or Style D (Class A) Initiating Device Circuit. A 47K ohm End-of-Line Resistor (provided) terminates the Style B circuit. No resistor is required for supervision of the Style D circuit.

#### MMF-300(A) OPERATION

Each MMF-300(A) uses one of the available module addresses on an SLC loop. It responds to regular polls from the control panel and reports its type and the status (open/normal/short) of its Initiating Device Circuit (IDC). A flashing LED indicates that the module is in communication with the control panel. The LED latches steady on alarm (subject to current limitations on the loop).

#### MMF-300(A) SPECIFICATIONS

**Nominal operating voltage:** 15 to 32 VDC.

**Maximum current draw:** 5.0 mA (LED on).

**Average operating current:** 350 µA (LED flashing), 1 communication every 5 seconds, 47k EOL.

**Maximum IDC wiring resistance:** 40 ohms.

**EOL resistance:** 47K ohms.

**Temperature range:** 32°F to 120°F (0°C to 49°C).

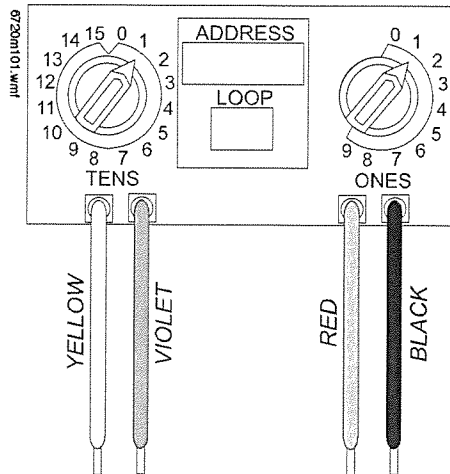
**Humidity range:** 10% to 93% noncondensing.

**Dimensions:** 4.5" (11.43 cm) high x 4" (10.16 cm) wide x 1.25" (3.175 cm) deep. Mounts to a 4" (10.16 cm) square x 2.125" (5.398 cm) deep box.



## MMF-301(A) Mini Monitor Module

- Built-in type identification automatically identifies this device as a monitor module to the panel.
- Powered directly by two-wire SLC loop. No additional power required.
- High noise (EMF/RFI) immunity.
- Tinned, stripped leads for ease of wiring.
- Direct-dial entry of address: 01 – 159 on MS-9600 series panels, 01 – 99 on other compatible systems



The MMF-301(A) Mini Monitor Module can be installed in a single-gang junction directly behind the monitored unit. Its small size and light weight allow it to be installed without rigid mounting. The MMF-301(A) is intended for use in intelligent, two-wire systems where the individual address of each module is selected using rotary switches. It provides a two-wire initiating device circuit for normally-open-contact fire alarm devices. The MMF-301(A) can be used to replace M301(A) modules in existing systems.

### MMF-301(A) APPLICATIONS

Use to monitor a single device or a zone of four-wire smoke detectors, manual fire alarm pull stations, waterflow devices, or other normally-open dry-contact devices. May also be used to monitor normally-open supervisory devices with special supervisory indication at the control panel. Monitored circuit/device is wired as an NFPA Style B (Class B) Initiating Device Circuit. A 47K ohm End-of-Line Resistor (provided) terminates the circuit.

### MMF-301(A) OPERATION

Each MMF-301(A) uses one of the available module addresses on an SLC loop. It responds to regular polls from the control panel and reports its type and the status (open/normal/short) of its Initiating Device Circuit (IDC).

### MMF-301(A) SPECIFICATIONS

Nominal operating voltage: 15 to 32 VDC.

**Average operating current:** 350  $\mu$ A, 1 communication every 5 seconds, 47k EOL; 600  $\mu$ A Max. (Communicating, IDC Shorted).

**Maximum IDC wiring resistance:** 40 ohms.

**Maximum IDC Voltage:** 11 Volts.

**Maximum IDC Current:** 400  $\mu$ A.

**EOL resistance:** 47K ohms.

**Temperature range:** 32°F to 120°F (0°C to 49°C).

**Humidity range:** 10% to 93% noncondensing.

**Dimensions:** 1.3" (3.302 cm) high x 2.75" (6.985 cm) wide x 0.65" (1.651 cm) deep.

**Wire length:** 6" (15.24 cm) minimum.

## MMF-302(A) Interface Module

- Supports compatible two-wire smoke detectors.
- Supervises IDC wiring and connection of external power source.
- High noise (EMF/RFI) immunity.
- SEMS screws with clamping plates for ease of wiring.
- Direct-dial entry of address: 01 – 159 on MS-9600 series panels, 01 – 99 on other compatible systems.
- LED flashes during normal operation.
- LED latches steady to indicate alarm on command from control panel.

The MMF-302(A) Interface Module is intended for use in intelligent, addressable systems, where the individual address of each module is selected using built-in rotary switches. This module allows intelligent panels to interface and monitor two-wire conventional smoke detectors. It transmits the status (normal, open, or alarm) of one full zone of conventional detectors back to the control panel. All two-wire detectors being monitored must be UL compatible with the module. The MMF-302(A) can be used to replace M302(A) modules in existing systems.

### MMF-302(A) APPLICATIONS

Use the MMF-302(A) to monitor a zone of two-wire smoke detectors. The monitored circuit may be wired as an NFPA Style B (Class B) or Style D (Class A) Initiating Device Circuit. A 3.9 K ohm End-of-Line Resistor (provided) terminates the end of the Style B or D (class B or A) circuit (maximum IDC loop resistance is 25 ohms). Install ELR across terminals 8 and 9 for Style D application.

### MMF-302(A) OPERATION

Each MMF-302(A) uses one of the available module addresses on an SLC loop. It responds to regular polls from the control panel and reports its type and the status (open/normal/short) of its Initiating Device Circuit (IDC). A flashing LED indicates that the module is in communication with the control panel. The LED latches steady on alarm (subject to current limitations on the loop).

### MMF-302(A) SPECIFICATIONS

**Nominal operating voltage:** 15 to 32 VDC.

**Maximum current draw:** 5.1 mA (LED on).

**Maximum IDC wiring resistance:** 25 ohms.

**Average operating current:** 300  $\mu$ A, 1 communication and 1 LED flash every 5 seconds, 3.9k eol.

**EOL resistance:** 3.9K ohms.

**External supply voltage (between Terminals T3 and T4):** DC voltage: 24 volts power limited. Ripple voltage: 0.1 Vrms maximum. Current: 90 mA per module maximum.

**Temperature range:** 32°F to 120°F (0°C to 49°C).

**Humidity range:** 10% to 93% noncondensing.

**Dimensions:** 4.5" (11.43 cm) high x 4" (10.16 cm) wide x 1.25" (3.175 cm) deep. Mounts to a 4" (10.16 cm) square x 2.125" (5.398 cm) deep box.



## MDF-300(A) Dual Monitor Module

The MDF-300(A) Dual Monitor Module is intended for use in intelligent, two-wire systems. It provides two independent two-wire initiating device circuits (IDCs) at two separate, consecutive addresses. It is capable of monitoring normally open contact fire alarm and supervisory devices. The module has a single panel-controlled LED.

**NOTE:** The MDF-300(A) provides two Style B (Class B) IDC circuits ONLY. Style D (Class A) IDC circuits are NOT supported in any application.

### MDF-300(A) SPECIFICATIONS

**Normal operating voltage range:** 15 to 32 VDC.

**Maximum current draw:** 6.4 mA (LED on).

**Average operating current:** 750  $\mu$ A (LED flashing).

**Maximum IDC wiring resistance:** 1,500 ohms.

**Maximum IDC Voltage:** 11 Volts.

**Maximum IDC Current:** 240  $\mu$ A

**EOL resistance:** 47K ohms.

**Maximum SLC Wiring resistance:** 40 Ohms.

**Temperature range:** 32° to 120°F (0° to 49°C).

**Humidity range:** 10% to 93% (non-condensing).

**Dimensions:** 4.5" (11.43 cm) high x 4" (10.16 cm) wide x 2.125" (5.398 cm) deep.

### MDF-300(A) AUTOMATIC ADDRESSING

The MDF-300(A) automatically assigns itself to two addressable points, starting with the original address. For example, if the MDF-300(A) is set to address "26", then it will automatically assign itself to addresses "26" and "27".

**NOTE:** "Ones" addresses on the MDF-300(A) are 0, 2, 4, 6, or 8 only. Terminals 6 and 7 use the first address, and terminals 8 and 9 use the second address.



#### CAUTION:

Avoid duplicating addresses on the system.

## Installation

MMF-300(A), MMF-302(A), and MDF-300(A) modules mount directly to a standard 4" (10.16 cm) square, 2.125" (5.398 cm) deep, electrical box. They may also be mounted to the SMB500 surface-mount box. Mounting hardware and installation instructions are provided with each module. All wiring must conform to applicable local codes, ordinances, and regulations. These modules are intended for power-limited wiring only.

The MMF-301(A) module is intended to be wired and mounted without rigid connections inside a standard electrical box. All wiring must conform to applicable local codes, ordinances, and regulations.

## Agency Listings and Approvals

In some cases, certain modules may not be listed by certain approval agencies, or listing may be in process. Consult factory for latest listing status.

- **UL:** S2424
- **ULC:** S2424
- **FM Approved**
- **CSFM:** 7300-0075:0185
- **MEA:** 72-01-E

## Product Line Information

**NOTE:** "A" suffix indicates ULC-listed model.

**MMF-300(A):** Monitor module.

**MMF-301(A):** Monitor module, miniature.

**MMF-302(A):** Monitor module, two-wire detectors.

**MDF-300(A):** Monitor module, dual, two independent Class B circuits.

**SMB500:** Optional surface-mount backbox.

**NOTE:** See installation instructions and refer to the SLC Wiring Manual, PN 51309.

## Architects'/Engineers' Specifications

Specifications of these devices and all FireLite products are available from FireLite.



---

Fire-Lite® and LiteSpeed® are registered trademarks and FireWatch™ is a trademark of Honeywell International Inc.  
©2010 by Honeywell International Inc. All rights reserved. Unauthorized use of this document is strictly prohibited.



This document is not intended to be used for installation purposes.  
We try to keep our product information up-to-date and accurate.  
We cannot cover all specific applications or anticipate all requirements.  
All specifications are subject to change without notice.



Made in the U.S. A.

For more information, contact Fire•Lite Alarms. Phone: (800) 627-3473, FAX: (877) 699-4105.  
[www.firelite.com](http://www.firelite.com)



# SD355(A), SD355T(A), SD355R(A)

## Addressable Photoelectric Smoke Detectors



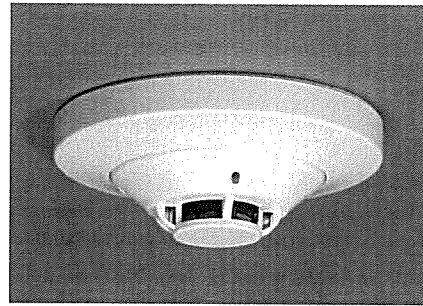
Addressable Devices

### General

The SD355(A) and SD355T(A) addressable, low-profile plug-in photoelectric detectors use a state-of-the-art photoelectric sensing chamber with communications to provide open area protection and are used exclusively with Fire•Lite's Addressable Fire Alarm Control Panels (FACPs). The SD355T(A) adds thermal sensors that will alarm at a fixed temperature of 135°F (57°C). Since these detectors are addressable, they will help emergency personnel quickly locate a fire during its early stages, potentially saving precious rescue time while also reducing property damage. Two LEDs on each sensor light to provide a local, visible sensor indication. Remote LED annunciator capability is available as an optional accessory (P/N RA100Z(A)). The SD355R is a remote test capable detector for use with D355PL or DNR(W) duct smoke detector housings.



SD355 with B350LP base



SD355T with B350LP base

### Features

#### SLC loop:

- Two-wire loop connection.
- Unit uses base for wiring.

#### Addressing:

- Addressable by device.
- Direct Decade entry of address: 01 – 99 with MS-9200 series, and 01 – 159 with MS-9600 series.

#### Architecture:

- Unique single-source, dual-chamber design to respond quickly and dependably to a broad range of fires.
- Sleek, low-profile design.
- Integral communications and built-in type identification.
- Built-in tamper-resistant feature.
- Removable cover and insect-resistant screen for simple field cleaning.

#### Operation:

- Withstands air velocities up to 4,000 feet-per-minute (20 m/sec.) without triggering a false alarm.
- Factory preset at 1.5% nominal sensitivity for panel alarm threshold level.
- Visible LED "blinks" when the unit is addressed (communicating with the fire panel) and latches on in alarm.

#### Mechanicals:

- Sealed against back pressure.
- Direct surface mounting or electrical box mounting.
- Mounts to: single-gang box, 3.5" (8.89 cm) or 4.0" (10.16 cm) octagonal box, or 4.0" (10.16 cm) square electrical box (using a plaster ring — included).

#### Other system features:

- Fully coated circuit boards and superior RFI/transient protection.
- 94-V0 plastic flammability rating.
- Low standby current.

#### Options:

- Remote LED output connection (P/N RA100Z).

### Applications

Use photoelectric detectors in life-safety applications to provide a broad range of fire-sensing capability, especially where smoldering fires are anticipated. Ionization detectors are often better than photoelectric detectors at sensing fast, flaming fires.

### Construction

These detectors are constructed of off-white LEXAN®. SD355(T) plug-in, low-profile smoke detectors are designed to commercial standards and offer an attractive appearance.

### Installation

SD355(T) plug-in detectors use a detachable mounting base to simplify installation, service and maintenance. Mount base on box which is at least 1.5 inches (3.81 cm) deep. Suitable boxes include:

- 4.0" (10.16 cm) square box with plaster ring.
- 4.0" (10.16 cm) octagonal box.
- 3.5" (8.89 cm) octagonal box.
- Single-gang box.

**NOTE:** Because of the inherent supervision provided by the SLC loop, **end-of-line resistors** are not required. Wiring "T-taps" or branches are permitted for Style 4 (Class B) wiring. SD355R mounts in a D355PL or DNR(W) duct detector housing.





## Operation

Each SD355/T/R uses one of 99 possible addresses on the MS-9200 series and up to 318 (159 on each loop) on the MS-9600 series Signaling Line Circuit (SLC). It responds to regular polls from the system and reports its type and status.

The SD355/T/R addressable photoelectric sensor's unique unipolar chamber responds quickly and uniformly to a broad range of smoke conditions and can withstand wind gusts up to 4,000 feet-per-minute (20 m/sec.) without sending an alarm level signal. Because of its unipolar chamber, the SD355/T/R is approximately two times more responsive than most photoelectric sensors. This makes it a more stable detector.

## Detector Sensitivity Test

Each detector can have its sensitivity tested (required per NFPA 72, Chapter 14 on *Inspection, Testing and Maintenance*) when installed/connected to a MS-9200 series or MS-9600 series addressable fire alarm control panel. The results of the sensitivity test can be printed off the MS-9200 series or MS-9600 series for record keeping.

## Specification

**Voltage range:** 15 – 32 VDC (peak).

**Standby current:** 300 µA @ 24 VDC.

**LED current:** 6.5 mA @ 24 VDC (latched "ON").

**Air velocity:** 4,000 ft./min. (20 m/sec.) maximum.

**Diameter:** 6.1" (15.5 cm) installed in B350LP base.

**Height:** 2.1" (5.33 cm) installed in B350LP base.

**Weight:** 3.6 oz. (102 g).

**Operating temperature range:** for **SD355(A):** 0°C to 49°C (32°F to 120°F); for **SD355T(A):** 0°C to 38°C (32°F to 100°F).  
**SD355R(A):** installed in a DNR(W) -20°C to 70°C (-4°F to 158°F).

**Temperature:** 0°C – 49°C (32°F – 120°F).

**Relative humidity:** 10% – 93%, non-condensing.

## Listings

Listings and approvals below apply to the SD355(A) and SD355T(A) detectors. In some cases, certain modules may not be listed by certain approval agencies, or listing may be in process. Consult factory for latest listing status.

- UL Listed, file S1059.
- ULC Listed, file S1059.
- CSFM approved: file 7272-0075:194.
- MEA approved: file 243-02-E.
- FM approved.

## Product Line Information

**NOTE:** "A" suffix indicates ULC-Listed model.

**SD355:** Addressable photoelectric detector; B350LP base included.

**SD355A:** Same as SD355 with ULC Listing (B350LPA base included).

**SD355T:** Same as SD355 but with *thermal* element; B350LP base included.

**SD355TA:** Same as SD355T with ULC Listing (B350LPA base included).

**SD355R:** Remote test capable addressable photoelectric detector for use with a D355PL or DNR(W) duct detector housing.

**B350LP(A):** Plug-in detector base. Dimensions: 6.1" (15.5 cm). Mounting: 4.0" (10.16 cm) square box with or without plaster ring, 4.0" (10.16 cm) octagonal box, 3.5" (8.89 cm) octagonal box, or single-gang box. All mounting boxes have a minimum depth of 1.5" (3.81 cm).

**B224RB(A):** Plug-in System Sensor *relay* detector base. **Diameter:** 6.2" (15.75 cm). **Mounting:** 4.0" (10.16 cm) square box with or without plaster ring, 4.0" (10.16 cm) octagonal box, or 3.5" (8.89 cm) octagonal box. All mounting boxes have a minimum depth of 1.5" (3.81 cm).

**B224BI(A):** Plug-in System Sensor *isolator* detector base. Maximum 25 devices between isolator bases (*see DF-52389*). **Diameter:** 6.2" (15.75 cm). **Mounting:** 4.0" (10.16 cm) square box with or without plaster ring, 4.0" (10.16 cm) octagonal box, or 3.5" (8.89 cm) octagonal box. All mounting boxes have a minimum depth of 1.5" (3.81 cm).

**B200SR:** Sounder base capable of producing temporal-3 or steady sound output.

### ACCESSORIES:

**RA100Z(A):** Remote LED annunciator. 3 – 32 VDC. Mounts to a U.S. single-gang electrical box. *For use with B501(A) and B350LP(A) bases only.*

**SMK400E:** Surface mounting kit provides for entry of surface wiring conduit. *For use with B501(A) base only.*

**RMK400:** Recessed mounting kit. *For use with B501(A) base only.*

**M02-04-00:** Test magnet.

**M02-09-00:** Test magnet with telescoping handle.

**XR2B:** Detector removal tool. Allows installation and/or removal of detector heads from bases in high ceiling applications.

**XP-4:** Extension pole for XR2B. Comes in three 5-foot (1.524 m) sections.

**T55-127-010:** Detector removal tool without pole.

**BCK-200B:** Black detector covers, box of 10 .

**WCK-200B:** White detector covers, box of 10 .

FlashScan® registered trademark of Honeywell International Inc. Bayblend® is a registered trademark of Bayer Corporation.  
©2010 by Honeywell International Inc. All rights reserved. Unauthorized use of this document is strictly prohibited.



This document is not intended to be used for installation purposes.  
We try to keep our product information up-to-date and accurate.  
We cannot cover all specific applications or anticipate all requirements.  
All specifications are subject to change without notice.

For more information, contact FireLite Alarms. Phone: (800) 627-3473, FAX: (877) 699-4105.  
[www.firelite.com](http://www.firelite.com)



# BG-12LX

## Addressable Manual Pull Station



### Addressable Devices

#### General

The Fire-Lite BG-12LX is a state-of-the-art, dual-action (i.e., requires two motions to activate the station) pull station that includes an addressable interface (mounted inside) for Fire-Lite's addressable fire alarm control panels (FACPs). Because the BG-12LX is addressable, the control panel can display the exact location of the activated manual station. This leads fire personnel quickly to the location of the alarm.

#### Features

- Maintenance personnel can open station for inspection and address setting without causing an alarm condition.
- Built-in bicolor LED, which is visible through the handle of the station, flashes in normal operation and latches steady red when in alarm.
- Handle latches in down position and the word "ACTIVATED" appears to clearly indicate the station has been operated.
- Captive screw terminals wire-ready for easy connection to SLC loop (accepts up to 12 AWG/3.25 mm<sup>2</sup> wire).
- Can be surface mounted (with SB-10 or SB-I/O) or semi-flush mounted. Semi-flush mount to a standard single-gang, double-gang, or 4" (10.16 cm) square electrical box.
- Smooth dual-action design.
- Meets ADAAG controls and operating mechanisms guidelines (Section 4.1.3[13]); meets ADA requirement for 5 lb. maximum activation force.
- Highly visible.
- Attractive shape and textured finish.
- Key reset.
- Includes Braille text on station handle.
- Optional trim ring (BG12TR).
- Meets UL 38, Standard for Manually Actuated Signaling Boxes.

#### Construction

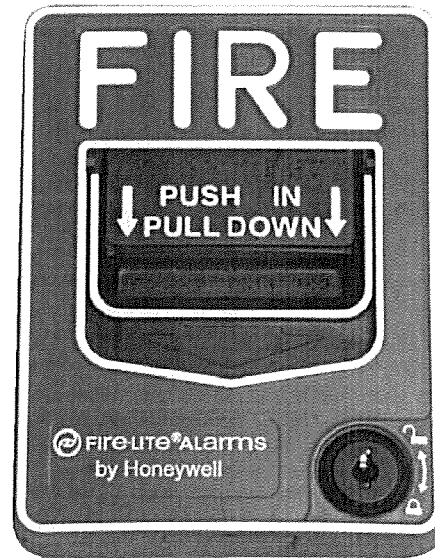
Shell, door, and handle are molded of durable polycarbonate material with a textured finish.

#### Specifications

- **Shipping Weight:** 9.6 oz. (272.15 g)
- **Normal operating voltage:** 24 VDC.
- **Maximum SLC loop voltage:** 28.0 VDC.
- **Maximum SLC loop current:** 230 μA.
- **Temperature Range:** 32°F to 120°F (0°C to 49°C)
- **Relative Humidity:** 10% to 93% (noncondensing)
- **For use indoors in a dry location**

#### Installation

The BG-12LX will mount semi-flush into a single-gang, double-gang, or standard 4" (10.16 cm) square electrical outlet box, or will surface mount to the model SB-10 or SB-I/O surface backbox. If the BG-12LX is being semi-flush mounted, then the optional trim ring (BG12TR) may be used. The BG12TR is



FL-PullStation.jpg

usually needed for semi-flush mounting with 4" (10.16 cm) or double-gang boxes (not with single-gang boxes).

#### Operation

Pushing in, then pulling down on the handle causes it to latch in the down/activated position. Once latched, the word "ACTIVATED" (in bright yellow) appears at the top of the handle, while a portion of the handle protrudes from the bottom of the station. To reset the station, simply unlock the station with the key and pull the door open. This action resets the handle; closing the door automatically resets the switch.

Each manual station, on command from the control panel, sends data to the panel representing the state of the manual switch. Two rotary decimal switches allow address settings (1 – 159 with Breakaway Tab removed for MS-9600 Series, 1 – 99 and MS-9200UDLS, 1 – 50 for MS-9050UD).

#### Architectural/Engineering Specifications

Manual Fire Alarm Stations shall be non-coded, with a key-operated reset lock in order that they may be tested, and so designed that after actual Emergency Operation, they cannot be restored to normal except by use of a key. An operated station shall automatically condition itself so as to be visually detected as activated. Manual stations shall be constructed of red-colored polycarbonate material with clearly visible operating instructions provided on the cover. The word FIRE shall appear on the front of the stations in white letters, 1.00 inches (2.54 cm) or larger. Stations shall be suitable for surface mounting on matching backbox SB-10 or SB-I/O; or semi-flush mounting on a standard single-gang, double-gang, or 4" (10.16 cm) square electrical box, and shall be installed within



the limits defined by the Americans with Disabilities Act (ADA) or per national/local requirements. Manual Stations shall be Underwriters Laboratories listed.

Manual stations shall connect with two wires to one of the control panel SLC loops. The manual station shall, on command from the control panel, send data to the panel representing the state of the manual switch. Manual stations shall provide address setting by use of rotary decimal switches.

### Product Line Information

**BG-12LX:** Dual-action addressable pull station. Includes key locking feature.

**SB-10:** Surface backbox; metal.

**SB-I/O:** Surface backbox; plastic.

**BG12TR:** Optional trim ring.

**17003:** Keys, set of two.

### Agency Listings and Approvals

In some cases, certain modules or applications may not be listed by certain approval agencies, or listing may be in process. Consult factory for latest listing status.

- **UL Listed:** S711
- **MEA:** 67-02-E
- **CSFM:** 7150-0075:0184
- **FDNY:**
- **FM Approved**

**Patented:** U.S. Patent No. D428,351; 6,380,846; 6,314,772; 6,632,108.

---

Fire-Lite is a registered trademark of Honeywell International Inc.  
©2010 by Honeywell International Inc. All rights reserved. Unauthorized use  
of this document is strictly prohibited.

---



This document is not intended to be used for installation purposes.  
We try to keep our product information up-to-date and accurate.  
We cannot cover all specific applications or anticipate all requirements.  
All specifications are subject to change without notice.



Made in the U.S. A.

For more information, contact Fire•Lite Alarms. Phone: (800) 627-3473, FAX: (877) 699-4105.  
[www.firelite.com](http://www.firelite.com)



# ANN-80

## 80-Character LCD Serial Annunciator



Annunciators

### General

The ANN-80 annunciator is a compact, backlit, 80-character LCD fire annunciator that mimics the Fire Alarm Control Panel (FACP) display. It provides system status indicators for AC Power, Alarm, Trouble, Supervisory, and Alarm Silenced conditions. The ANN-80 and the FACP communicate over a two-wire serial interface employing the ANN-BUS communication format. Connected devices are powered, via two additional wires, by either the host FACP or a remote UL-listed, filtered power supply. ANN-80 is red; for white, order ANN-80-W.

The ANN-80 displays English-language text of system point information including device type, zone, independent point alarm, trouble or supervisory status, as well as any custom alpha labels programmed into the control panel. It includes control switches for remote control of critical system functions. (A keyswitch prevents unauthorized operation of the control switches.)

Up to eight ANN-80s may be connected to the ANN-BUS of each FACP. No programming is required, which saves time during system commissioning.



52417con.jpg

### Features

- Listed to UL Standard 864, 9th Edition.
- Backlit 80-character LCD display (20 characters x 4 lines).
- Mimics all display information from the host panel.
- Control switches for System Acknowledge, Signal Silence, Drill, and Reset.
- Control switches can be independently enabled or disabled at the FACP.
- Keyswitch enables/disables control switches and mechanically locks annunciator enclosure
- Keyswitch can be enabled or disabled at the FACP.
- Enclosure supervised for tamper.
- System status LEDs for AC Power, Alarm, Trouble, Supervisory, and Alarm Silence.
- Local sounder can be enabled or disabled at the FACP.
- ANN-80 connects to the ANN-BUS terminal on the FACP and requires minimal panel programming.
- Displays device type identifiers, individual point alarm, trouble, supervisory, zone, and custom alpha labels.
- Time-and date display field.
- Surface mount directly to wall or to single, double, or 4" square electrical box.
- Semi-flush mount to single, double, or 4" square electrical box. Use ANN-SB80KIT for angled view mounting.
- Can be remotely located up to 6,000 feet (1,800 m) from the panel.
- Backlight turns off during AC loss to conserve battery power but will turn back on if an alarm condition occurs.
- May be powered by 24 VDC from the host FACP or by remote power supply (requires 24 VDC).
- Up to eight ANN-80s can be connected on the ANN-BUS.

- Supervisory
- Alarm Silenced

### Specifications

- **Operating voltage range:** 18 VDC to 28 VDC.
- **Current consumption @ 24 VDC nominal (filtered and non-resettable):** 40 mA maximum.
- **Ambient temperature:** 32°F to 120°F (0°C to 49°C).
- **Relative humidity:** 93% ± 2% RH (noncondensing) at 32°C ± 2°C (90°F ± 3°F).
- 5.375" (13.65 cm.) high x 6.875" (17.46 cm.) wide x 1.375" (3.49 cm.) deep.
- For use indoors in a dry location.
- All connections are power-limited and supervised.

### Agency Listings and Approvals

The listings and approvals below apply to the ANN-80. In some cases, certain modules may not be listed by certain approval agencies, or listing may be in process. Consult factory for latest listing status.

- **UL:** S2424
- **FM approved**
- **CSFM:** 7120-0075:211
- **MEA:** 442-06-E

### The ANN-BUS

#### POWERING THE DEVICES ON THE ANN-BUS FROM AUXILIARY POWER SUPPLY

The ANN-BUS can be powered by an auxiliary power supply when the maximum number of ANN-BUS devices exceeds the ANN-BUS power requirements. See the FACP manual for more information.

### Controls and Indicators

- AC Power
- Alarm
- Trouble



### ANN-BUS DEVICE ADDRESSING

Each ANN-BUS device requires a unique address (ID Number) in order to communicate with the FACP. A maximum of 8 devices can be connected to the FACP ANN-BUS communication circuit. See the FACP manual for more information.

### WIRE REQUIREMENTS: COMMUNICATIONS CIRCUIT

The ANN-80 connects to the FACP ANN-BUS communications circuit. To determine the type of wire and the maximum wiring distance that can be used with FACP ANN-BUS accessory modules, it is necessary to calculate the total worst case current draw for all modules on a single 4-conductor bus. The total worst case current draw is calculated by adding the individual worst case currents for each module.

**NOTE:** For total worst case current draw on a single ANN-BUS refer to appropriate FACP manual.

After calculating the total worst case current draw, the following table specifies the maximum distance the modules can be located from the FACP on a single wire run. The table ensures 6.0 volts of line drop maximum. In general, the wire length is limited by resistance, but for heavier wire gauges, capacitance is the limiting factor.

These cases are marked in the chart with an asterisk (\*). Maximum length can never be more than 6,000 feet (1,800 m), regardless of gauge used. See table below.

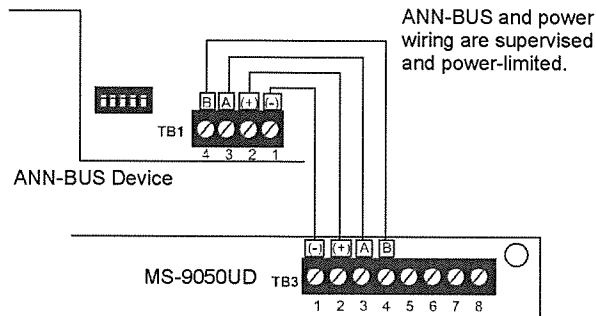
### WIRE REQUIREMENTS: POWER CIRCUIT

- 14 to 18 AWG (0.75 - 2.08 mm<sup>2</sup>) wire for 24 VDC power circuit is acceptable. Power wire distance limitation is set by 1.2 volt maximum line drop from source to end of circuit.
- All connections are power-limited and supervised.
- A maximum of eight ANN-80 modules may be connected to this circuit.

Communication Pair Wiring Distance: FACP to Last ANN-BUS Module				
Total Worst Case Current Draw (amps)	22 Gauge	18 Gauge	16 Gauge	14 Gauge
0.100	1,852 ft.	4,688 ft.	* 6,000 ft.	*6,000 ft.
0.200	926 ft.	2,344 ft.	3,731 ft.	5,906 ft.
0.300	617 ft.	1,563 ft.	2,488 ft.	3,937 ft.
0.400	463 ft.	1,172 ft.	1,866 ft.	2,953 ft.
0.500	370 ft.	938 ft.	1,493 ft.	2,362 ft.
0.600	309 ft.	781 ft.	1,244 ft.	1,969 ft.
0.700	265 ft.	670 ft.	1,066 ft.	1,687 ft.
0.800	231 ft.	586 ft.	933 ft.	1,476 ft.
0.900	206 ft.	521 ft.	829 ft.	1,312 ft.
1.000 (max.)	185 ft.	469 ft.	746 ft.	1,181 ft.

### WIRING CONFIGURATION

The following figure illustrates the wiring between the FACP and ANN-BUS devices.



FACP Wiring to ANN-BUS Device

### ORDERING OPTIONS:

- ANN-80:** Red 80 character LCD Annunciator.
- ANN-80-W:** White, 80 character LCD Annunciator.
- ANN-SB80KIT-R:** Red surface mount backbox with angled wedge.
- ANN-SB80KIT-W:** White surface mount backbox with angled wedge.

FireLite® Alarms is a registered trademark of Honeywell International Inc. ©2009 by Honeywell International Inc. All rights reserved. Unauthorized use of this document is strictly prohibited.



This document is not intended to be used for installation purposes. We try to keep our product information up-to-date and accurate. We cannot cover all specific applications or anticipate all requirements. All specifications are subject to change without notice.



Made in the U.S. A.

For more information, contact FireLite Alarms. Phone: (800) 627-3473, FAX: (877) 699-4105. [www.firelite.com](http://www.firelite.com)



# Indoor Selectable-Output Horns, Strobes, and Horn Strobes for Wall Applications

*System Sensor L-Series audible visible notification products are rich with features guaranteed to cut installation times and maximize profits with lower current draw and modern aesthetics.*



## Features

- Updated Modern Aesthetics
- Small profile devices for Horns and Horn Strobes
- Plug-in design with minimal intrusion into the back box
- Tamper-resistant construction
- Automatic selection of 12- or 24-volt operation at 15 and 30 candela
- Field-selectable candela settings on wall units: 15, 30, 75, 95, 110, 135, and 185
- Horn rated at 88+ dBA at 16 volts
- Rotary switch for horn tone and two volume selections
- Mounting plate for all standard and all compact wall units
- Mounting plate shorting spring checks wiring continuity before device installation
- Electrically compatible with legacy SpectrAlert and SpectrAlert Advance devices
- Compatible with MDL3 sync module
- Strobes and Horn Strobes listed for wall mounting only
- Horns listed for wall or ceiling use

**The System Sensor L-Series** offers the most versatile and easy-to-use line of horns, strobes, and horn strobes in the industry with lower current draws and modern aesthetics. With white and red plastic housings, standard and compact devices, and plain, FIRE, and FUEGO-printed devices, System Sensor L-Series can meet virtually any application requirement.

The L-Series line of wall-mount horns, strobes, and horn strobes include a variety of features that increase their application versatility while simplifying installation. All devices feature plug-in designs with minimal intrusion into the back box, making installations fast and foolproof while virtually eliminating costly and time-consuming ground faults.

To further simplify installation and protect devices from construction damage, the L-Series utilizes a universal mounting plate for all models with an onboard shorting spring, so installers can test wiring continuity before the device is installed.

Installers can also easily adapt devices to suit a wide range of application requirements using field-selectable candela settings, automatic selection of 12- or 24-volt operation, and a rotary switch for horn tones with two volume selections.

## Agency Listings



95912  
34011



FIA approved except  
for ALERT models  
3057363, 9067072



715-1653/004  
715-1653/003



## L-Series Specifications

### Architect/Engineer Specifications

#### General

L-Series standard horns, strobes, and horn strobes shall mount to a standard 2 x 4 x 1<sup>7</sup>/<sub>8</sub>-inch back box, 4 x 4 x 1<sup>1</sup>/<sub>2</sub>-inch back box, 4-inch octagon back box, or double-gang back box. L-Series compact products shall mount to a single-gang 2 x 4 x 1<sup>7</sup>/<sub>8</sub>-inch back box. A universal mounting plate shall be used for mounting ceiling and wall products for all standard models and a separate universal mounting plate shall be used for mounting wall compact models. The notification appliance circuit wiring shall terminate at the universal mounting plate. Also, L-Series products, when used with the Sync•Circuit™ Module accessory, shall be powered from a non-coded notification appliance circuit output and shall operate on a nominal 12 or 24 volts. When used with the Sync•Circuit Module, 12-volt-rated notification appliance circuit outputs shall operate between 8.5 and 17.5 volts; 24-volt-rated notification appliance circuit outputs shall operate between 16.5 and 33 volts. Indoor L-Series products shall operate between 32 and 120 degrees Fahrenheit from a regulated DC or full-wave rectified unfiltered power supply. Strobes and horn strobes shall have field-selectable candela settings including 15, 30, 75, 95, 110, 135, and 185.

#### Strobe

The strobe shall be a System Sensor L-Series Model \_\_\_\_\_ listed to UL 1971 and shall be approved for fire protective service. The strobe shall be wired as a primary-signaling notification appliance and comply with the Americans with Disabilities Act requirements for visible signaling appliances, flashing at 1 Hz over the strobe's entire operating voltage range. The strobe light shall consist of a xenon flash tube and associated lens/reflector system.

#### Horn Strobe Combination

The horn strobe shall be a System Sensor L-Series Model \_\_\_\_\_ listed to UL 1971 and UL 464 and shall be approved for fire protective service. The horn strobe shall be wired as a primary-signaling notification appliance and comply with the Americans with Disabilities Act requirements for visible signaling appliances, flashing at 1 Hz over the strobe's entire operating voltage range. The strobe light shall consist of a xenon flash tube and associated lens/reflector system. The horn shall have two audibility options and an option to switch between a temporal three pattern and a non-temporal (continuous) pattern. These options are set by a multiple position switch. The horn on horn strobe models shall operate on a coded or non-coded power supply.

#### Synchronization Module

The module shall be a System Sensor Sync•Circuit model MDL3 listed to UL 464 and shall be approved for fire protective service. The module shall synchronize Strobes at 1 Hz and horns at temporal three. Also, while operating the strobes, the module shall silence the horns on horn strobe models over a single pair of wires. The module shall mount to a 4<sup>1</sup>/<sub>15</sub> x 4<sup>1</sup>/<sub>16</sub> x 2<sup>1</sup>/<sub>8</sub>-inch back box. The module shall also control two Style Y (class B) circuits or one Style Z (class A) circuit. The module shall synchronize multiple zones. Daisy chaining two or more synchronization modules together will synchronize all the zones they control. The module shall not operate on a coded power supply.

### Physical/Electrical Specifications

Standard Operating Temperature	32°F to 120°F (0°C to 49°C)
Humidity Range	10 to 93% non-condensing
Strobe Flash Rate	1 flash per second
Nominal Voltage	Regulated 12 DC or regulated 24 DC/FWR <sup>1</sup>
Operating Voltage Range <sup>2</sup>	8 to 17.5 V (12 V nominal) or 16 to 33 V (24 V nominal)
Operating Voltage Range MDL3 Sync Module	8.5 to 17.5 V (12 V nominal) or 16.5 to 33 V (24 V nominal)
Input Terminal Wire Gauge	12 to 18 AWG
Wall-Mount Dimensions (including lens)	5.6" L x 4.7" W x 1.91" D (143 mm L x 119 mm W x 49 mm D)
Compact Wall-Mount Dimensions (including lens)	5.26" L x 3.46" W x 1.91" D (133 mm L x 88 mm W x 49 mm D)
Horn Dimensions	5.6" L x 4.7" W x 1.25" D (143 mm L x 119 mm W x 32 mm D)
Compact Horn Dimensions	5.25" L x 3.45" W x 1.25" D (133 mm L x 88 mm W x 32 mm D)

1. Full Wave Rectified (FWR) voltage is a non-regulated, time-varying power source that is used on some power supply and panel outputs.
2. Strobe products will operate at 12 V nominal only for 15 cd and 30 cd.



## UL Current Draw Data

UL Max. Strobe Current Draw (mA RMS)				
	Candela	8-17.5 Volts		16-33 Volts
		DC	DC	FWR
Candela Range	15	88	43	60
	30	143	63	83
	75	N/A	107	136
	95	N/A	121	155
	110	N/A	148	179
	135	N/A	172	209
	185	N/A	222	257

UL Max. Horn Current Draw (mA RMS)				
Sound Pattern	dB	8-17.5 Volts		16-33 Volts
		DC	DC	FWR
Temporal	High	39	44	54
Temporal	Low	28	32	54
Non-Temporal	High	43	47	54
Non-Temporal	Low	29	32	54
3.1 KHz Temporal	High	39	41	54
3.1 KHz Temporal	Low	29	32	54
3.1 KHz Non-Temporal	High	42	43	54
3.1 KHz Non-Temporal	Low	28	29	54
Coded	High	43	47	54
3.1 KHz Coded	High	42	43	54

UL Max. Current Draw (mA RMS), Wall Horn Strobe, Candela Range (15-185 cd)									
DC Input	8-17.5 Volts			16-33 Volts					
	15cd	30cd	15cd	30cd	75cd	95cd	110cd	135cd	185cd
Temporal High	98	158	54	74	121	142	162	196	245
Temporal Low	93	154	44	65	111	133	157	184	235
Non-Temporal High	106	166	73	94	139	160	182	211	262
Non-Temporal Low	93	156	51	71	119	139	162	190	239
3.1K Temporal High	93	156	53	73	119	140	164	190	242
3.1K Temporal Low	91	154	45	66	112	133	160	185	235
3.1K Non-Temporal High	99	162	69	90	135	157	175	208	261
3.1K Non-Temporal Low	93	156	52	72	119	138	162	192	242
FWR Input	16-33 Volts								
	15cd	30cd	75cd	95cd	110cd	135cd	185cd		
Temporal High	83	107	156	177	198	234	287		
Temporal Low	68	91	145	165	185	223	271		
Non-Temporal High	111	135	185	207	230	264	316		
Non-Temporal Low	79	104	157	175	197	235	283		
3.1K Temporal High	81	105	155	177	196	234	284		
3.1K Temporal Low	68	90	145	166	186	222	276		
3.1K Non-Temporal High	104	131	177	204	230	264	326		
3.1K Non-Temporal Low	77	102	156	177	199	234	291		

## Horn Tones and Sound Output Data

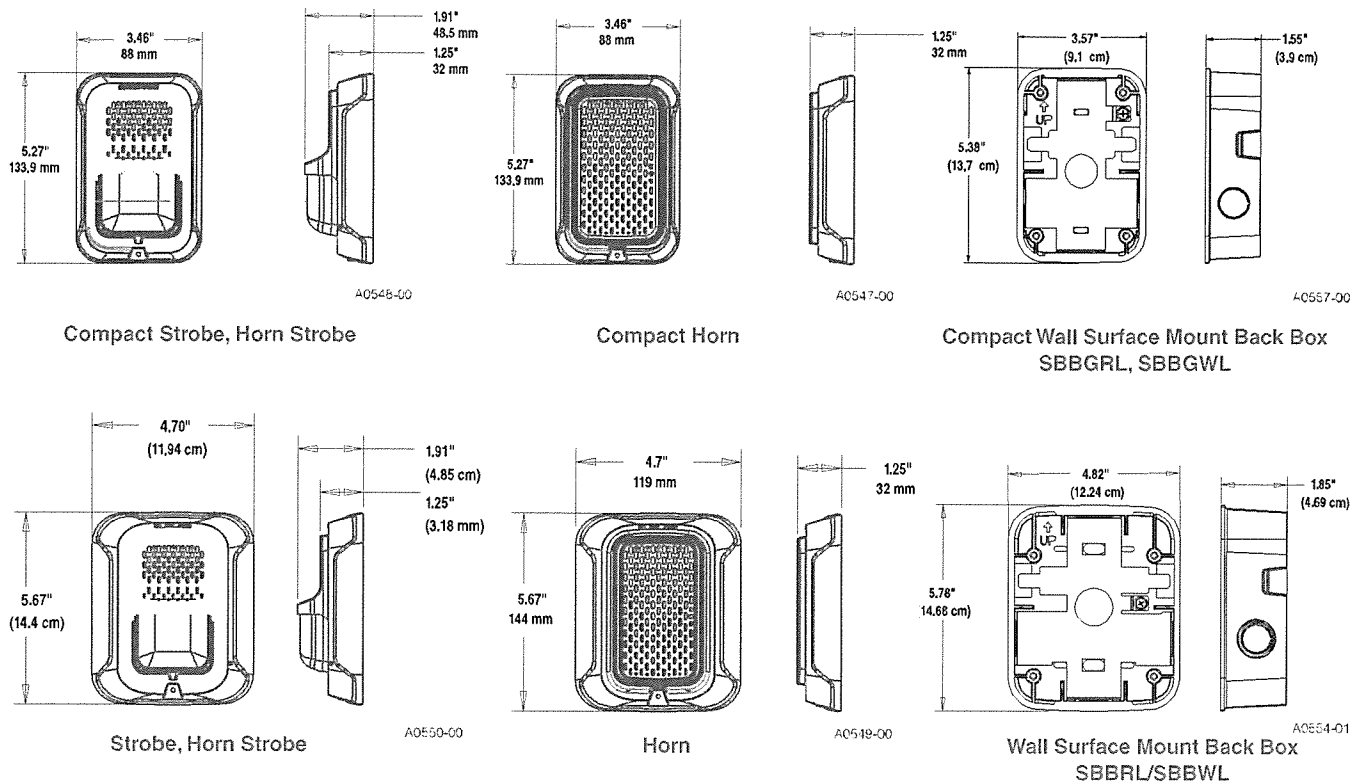
Horn and Horn Strobe Output (dBA)					
Switch Position	Sound Pattern	dB	8-17.5	16-33	
			Volts	Volts	FWR
			DC	DC	FWR
1	Temporal	High	84	89	89
2	Temporal	Low	75	83	83
3	Non-Temporal	High	85	90	90
4	Non-Temporal	Low	76	84	84
5	3.1 KHz Temporal	High	83	88	88
6	3.1 KHz Temporal	Low	76	82	82
7	3.1 KHz Non-Temporal	High	84	89	89
8	3.1 KHz Non-Temporal	Low	77	83	83
9*	Coded	High	85	90	90
10*	3.1 KHz Coded	High	84	89	89

\* Settings 9 and 10 are not available on 2-wire horn strobes. Temporal coding must be provided by the NAC. If the NAC voltage is held constant, the horn output remains constantly on.





## L-Series Dimensions



## L-Series Ordering Information

Model	Description
<b>Wall Horn Strobes</b>	
P2RL	2-Wire, Horn Strobe, Red
P2WL	2-Wire, Horn Strobe, White
P2GRL	2-Wire, Compact Horn Strobe, Red
P2GWL	2-Wire, Comp 2 fils act Horn Strobe, White
P2RL-P	2-Wire, Horn Strobe, Red, Plain
P2WL-P	2-Wire, Horn Strobe, White, Plain
P2RL-SP	2-Wire, Horn Strobe, Red, FUEGO
P2WL-SP	2-Wire, Horn Strobe, White, FUEGO
P4RL	4-Wire, Horn Strobe, Red
P4WL	4-Wire, Horn Strobe, White
<b>Wall Strobes</b>	
SRL	Strobe, Red
SWL	Strobe, White
SGRL	Compact Strobe, Red
SGWL	Compact Strobe, White
SRL-P	Strobe, Red, Plain
SWL-P	Strobe, White, Plain
SRL-SP	Strobe, Red, FUEGO
SWL-CLR-ALERT	Strobe, White, ALERT

Model	Description
<b>Horns*</b>	
HRL*	Horn, Red
HWL*	Horn, White
HGRL*	Compact Horn, Red
HGWL*	Compact Horn, White
<b>Accessories</b>	
TR-2	Universal Wall Trim Ring Red
TR-2W	Universal Wall Trim Ring White
SBBRL	Wall Surface Mount Back Box, Red
SBBWL	Wall Surface Mount Back Box, White
SBBGRL	Compact Wall Surface Mount Back Box, Red
SBBGWL	Compact Wall Surface Mount Back Box, White

### Notes:

All -P models have a plain housing (no "FIRE" marking on cover).  
 All -SP models have "FUEGO" marking on cover.  
 All -ALERT models have "ALERT" marking on cover.  
 \*Horn-only models are listed for wall or ceiling use.





# INSTALLATION AND MAINTENANCE INSTRUCTIONS



7550 Meridian Circle, Maple Grove, MN 55369-4927  
763-493-6455; 800-328-0103 Fax: 763-493-6475  
<http://www.silentknight.com>

## SK-Monitor Module

### SPECIFICATIONS

Normal Operating Voltage:	15 to 32 VDC
Maximum Current Draw:	5.0 mA (LED on)
Average Operating Current:	375µA (group poll), 350 µA (direct poll), 600 µAmps (communication, IDC shorted)
EOL Resistance:	47K Ohms
Max. IDC wiring resistance:	1,500 Ohms
Maximum IDC Voltage:	11 Volts
Maximum IDC Current:	450µA
Temperature Range:	32°F to 120°F (0°C to 49°C)
Humidity:	10% to 93% Non-condensing
Dimensions:	4½" H x 4" W x 1¼" D (Mounts to a 4" square by 2½" deep box.)
Accessories:	SMB500 Electrical Box

### BEFORE INSTALLING

This information is included as a quick reference installation guide. Refer to the control panel installation manual for detailed system information. If the modules will be installed in an existing operational system, inform the operator and local authority that the system will be temporarily out of service. Disconnect power to the control panel before installing the modules.

NOTICE: This manual should be left with the owner/user of this equipment.

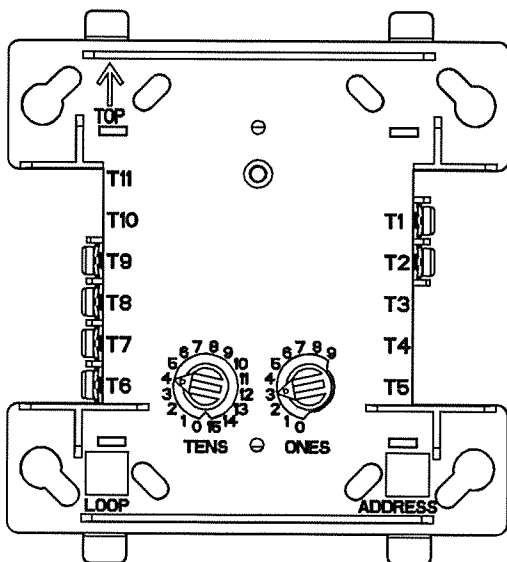
### GENERAL DESCRIPTION

The SK-Monitor Module is intended for use in intelligent, two-wire systems, where the individual address of each module is selected using the built-in rotary switches. It provides either a Class A or Class B fault tolerant initiating device circuit (IDC) for normally open contact fire alarm and supervisory devices, or either normally open or normally closed security devices. The module has a panel controlled LED indicator.

### COMPATIBILITY REQUIREMENTS

To ensure proper operation, this module shall be connected to a compatible Silent Knight system control panel (list available from Silent Knight).

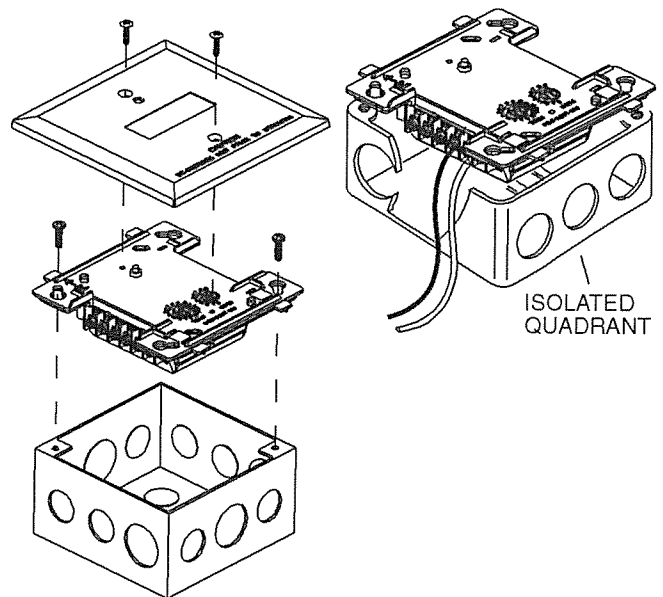
FIGURE 1. CONTROLS AND INDICATORS:



C1067-00

FIGURE 2. MODULE MOUNTING:

NOTE: For UL Listed security installations, the SK-Monitor must be mounted within the control panel enclosure.



C1066-00

### WIRING

NOTE: All wiring must conform to applicable local codes, ordinances, and regulations. This module is intended for power limited wiring only.

1. Install module wiring in accordance with the job drawings and appropriate wiring diagrams.
2. Set the address on the module per job drawings.
3. Secure module to electrical box (supplied by installer), as shown in Figure 2.

### MOUNTING

The SK Monitor mounts directly to 4-inch square electrical boxes (see Figure 2). The box must have a minimum depth of 2½ inches. Surface mounted electrical boxes (SMB500) are available from Silent Knight.



# FCPS-24FS8

## 8-Amp, 24-Volt Power Supply



### Power Supplies/Accessories

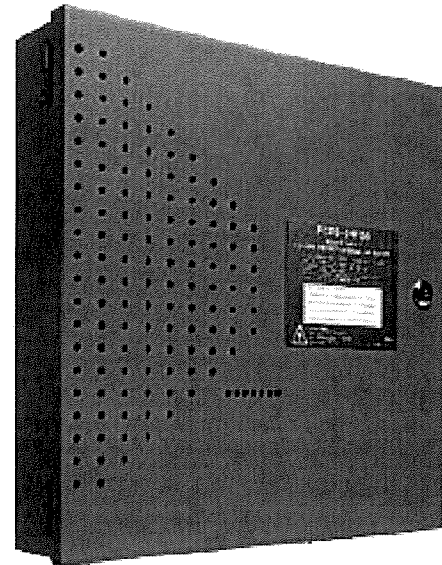
#### General

The Fire-Lite FCPS-24FS8(C/E) is a compact, cost-effective, 8-amp remote power supplies with battery charger. The FCPS-24FS8C/E may be connected to any 12 or 24 volt fire alarm control panel (FACP) or may stand-alone. Primary applications include notification appliance (bell) circuit (NAC) expansion (to support ADA requirements and NAC synchronization) or auxiliary power to support 24 volt system accessories. The FCPS provides *regulated and filtered* 24 VDC power to four notification appliance circuits configured as either two Class B (Style Y) and Class A (Style Z, with ZNAC-4 option module) or four class B only. Alternately, the four outputs may be configured as any combination of resettable/non-resettable power outputs (optimal for powering four-wire smoke detectors). The FCPS-24FS8(C/E) also contains a battery charger capable of charging up to 18.0 Amp hour batteries. FCPS-24FS8C/E is ULC-listed.

**NOTE:** Unless otherwise specified, the term FCPS-24FS8 used in this document refers to the standard FCPS-24FS8, FCPS-24FS8C, FCPS-24FS8E

#### Features

- UL-Listed Notification Appliance Circuit (NAC) synchronization using System Sensor, Wheelock, or Gentex "Commander<sup>2</sup>" appliances.
- Operates as a "sync-follower" or as a "sync-generator" (default). See note on page 2.
- Contains two fully-isolated input/control circuits - triggered from FACP NAC (NAC expander mode) or jumped permanently "ON" (stand-alone mode).
- Two Class B (Style Y) or Class A (Style Z, with ZNAC-4 module) NACs (circuits 1 & 3)
- 8-amp full load output, with 3 amps maximum/circuit, in NAC expander mode (UL 864).
- 6-amp continuous output in stand-alone mode (UL 1481).
- Compatible with coded inputs; signals passed through.
- Optional power-supervision relay (EOLR-1).
- In stand-alone mode, output power circuits may be configured as: resettable, (reset line from FACP required), non-resettable, or a mix of two and two.
- Fully regulated and filtered power output - optimal for powering four-wire smoke detectors, annunciators, and other system peripherals requiring regulated/filtered power.
- Power-limiting technology meets UL power-limiting requirements.
- Form-C normally-closed trouble relay.
- Fully supervised power supply, battery, and NACs.
- Selectable earth fault detection.
- AC trouble report selectable for immediate 2-hour delay.
- Works with virtually any UL 864 fire alarm control which utilizes an industry-standard reverse-polarity notification circuit (including unfiltered and unregulated bell power).
- Requires input trigger voltage of 9 - 32 VDC.
- Self-contained in compact, locking cabinet - 15"H x 14.5"W x 2.75"D (cm: 38.1H x 36.83W x 6.985D).



- Includes integral battery charger capable of charging up to 18 AH batteries. Cabinet capable of housing 7.0 AH batteries.
- Battery charger may be disabled via DIP switch for applications requiring larger batteries.
- Fixed, clamp-type terminal blocks accommodate up to 12 AWG (3.1mm<sup>2</sup>) wire.

#### Specifications

##### Primary (AC) Power:

- FCPS-24FS8: 120 VAC, 60 Hz, 3.2A maximum.
- FCPS-24FS8/E: 240 VAC, 50 Hz, 1.6A maximum.
- Wire Size: minimum #14 AWG (2.0mm<sup>2</sup>) with 600 V insulation.

##### Control Input Circuit:

- **Trigger Input Voltage:** 9 to 32 VDC.
- **Trigger Current:** 2.0 mA (16 - 32 V); Per Input: 1.0 mA (9 - 16 V).

##### Trouble Contact Rating: 5 A at 24 VDC.

**Auxiliary Power Output:** Specific application power 500 mA maximum.

##### Output Circuits:

- +24 VDC filtered, regulated.
- 3.0 A maximum for any one circuit.
- Total continuous current for all outputs (stand-alone mode):
  - FCPS-24FS8: 6.0 A maximum.
- Total short-term current for all outputs (NAC expander mode):
  - FCPS-24FS8: 8.0 A maximum.



### Secondary Power (Battery) Charging Circuit:

- Supports lead-acid batteries only.
- Float-charge voltage: 27.6 VDC.
- Maximum current charge: 250 mA.
- Maximum battery capacity: 7.0 AH.

### Applications

**Example 1:** Expand notification appliance power an additional 8.0 A. Use up to four Class B (Style Y) outputs or four Class A (Style Z) outputs (using ZNAC-4). For example, the FACP notification appliance circuits will activate the FCPS when reverse-polarity activation occurs. Trouble conditions on the FCPS are sensed by the FACP through the notification appliance circuit.

**Example 2:** Use the FCPS to expand auxiliary regulated 24-volt system power up to 6.0 A. Both resettable and non-resettable power options are available. Resettable outputs are created by connecting the resettable output from the FACP to one or both of the FCPS inputs.

**Example 3:** Use addressable control modules to activate the FCPS instead of activating it through the FACP notification appliance circuits. This typically allows for mounting the FCPS at greater distances\* away from the FACP while expanding system architecture in various applications.

For example, an addressable control module is used to activate the FCPS, and an addressable monitor module is used to sense FCPS trouble conditions. Local auxiliary power output from the FCPS provides power to the addressable control module.

*\*NOTE: Addressable FACP's are capable of locating control and monitor modules at distances of up to 10,000 feet (3,046 meters) .*

### Sync Follower/Generator Note

In some installations, it is necessary to synchronize the flash timing of all strobes in the system for ADA compliance. Strobes accomplish this by monitoring very short timing pulses on the NAC power which are created by the FACP. When installed at the end of a NAC wire run, the FCPS-24FS8 can track (i.e. "follow") the strobe synchronization timing pulses on the existing NAC wire run. This maintains the overall system flash timing of the additional strobes attaches to the FCPS.

When the FCPS-24FS8 is configured (via DIP switch settings) as a "sync follower," the FCPS's NAC outputs track the strobe synchronization pulses present at the FCPS's sync input terminal. The pulses originate from an upstream FACP or other power supply.

When the FCPS-24FS8 is configured (via DIP switch settings) as a "sync generator," the FCPS's sync input terminals are not used. Rather, the FCPS is the originator of the strobe synchronization pulses on the FCPS's NAC outputs. In "sync generator" mode, the sync type (System Sensor, Wheelock, or Gentex) is selectable via DIP switch settings.

### Standards and Codes

The FCPS-24FS8 complies with the following standards:

- **NFPA 72** National Fire Alarm Code.
- **UL 864** Standard for Control Units for Fire Alarm Systems (NAC expander mode).
- **UL 1481** Power Supplies for Fire Alarm Systems.

### Agency Listings and Approvals

These listings and approvals apply to the modules specified in this document. In some cases, certain modules or applications may not be listed by certain approval agencies, or listing may be in process. Consult factory for latest listing status.

- **UL Listed:** S2424
- **ULC Listed:** S2424
- **CSFM Approved:** 7315-0075:206
- **MEA:** 219-02E
- **FM Listed**

### Ordering Information

**FCPS-24FS8:** 6.0 A, 120 VAC remote charger power supply. Includes main printed circuit board, transformers, enclosure (15"H x 14.5"W x 2.75"D [cm: 38.1H x 36.83W x 6.985D]), and installation instructions.

**FCPS-24FS8** is ULC-listed.

**FCPS-24FS8E:** 6.0 A, 240 VAC remote charger power supply. Includes main printed circuit board, transformers, enclosure (15"H x 14.5"W x 2.75"D [cm: 38.1H x 36.83W x 6.985D]), and installation instructions.

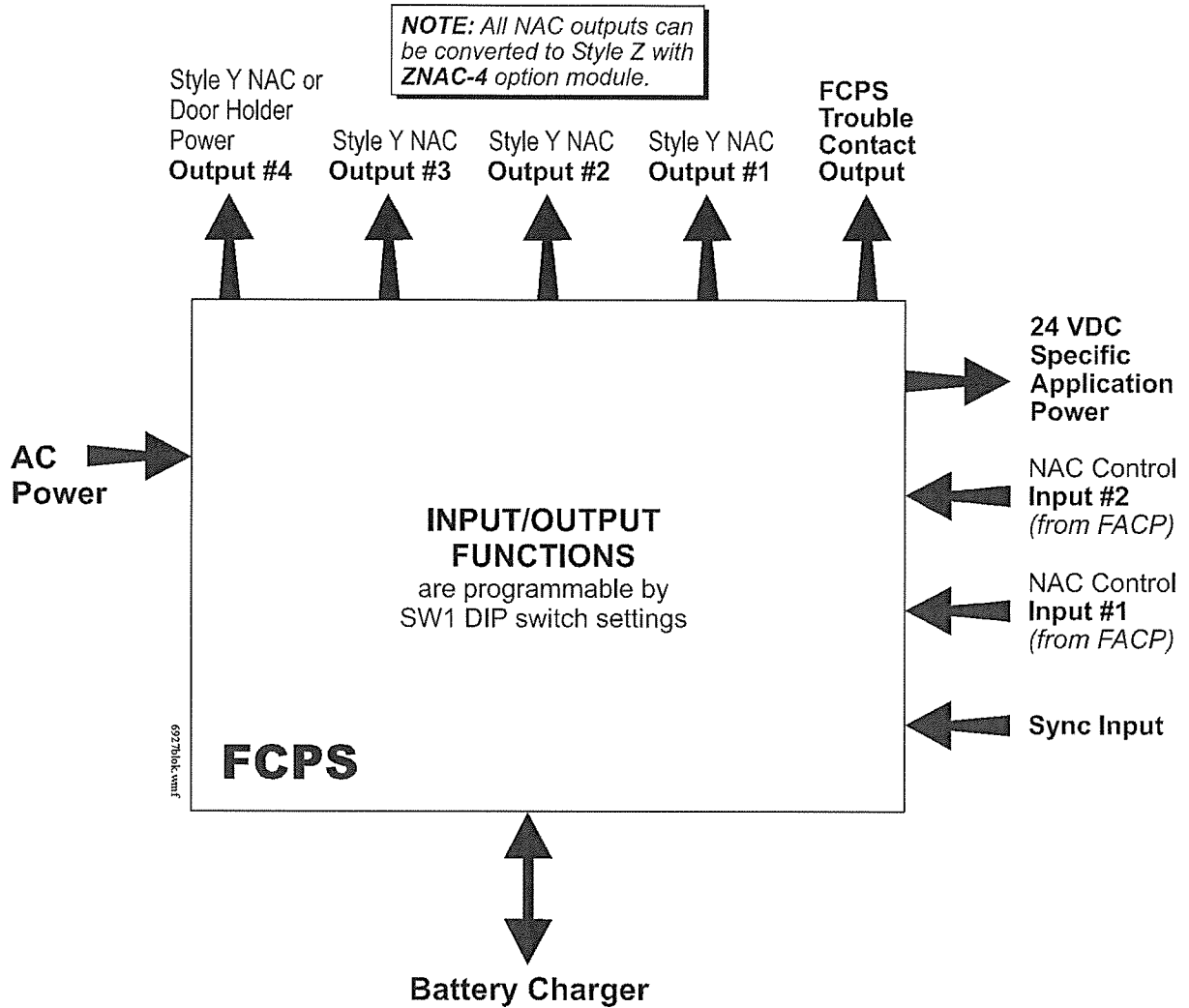
**ZNAC-4:** Class A (Style Y) NAC option module.

**EOLR-1:** 12/24 VDC end-of-line relay for monitoring four-wire smoke detector power.

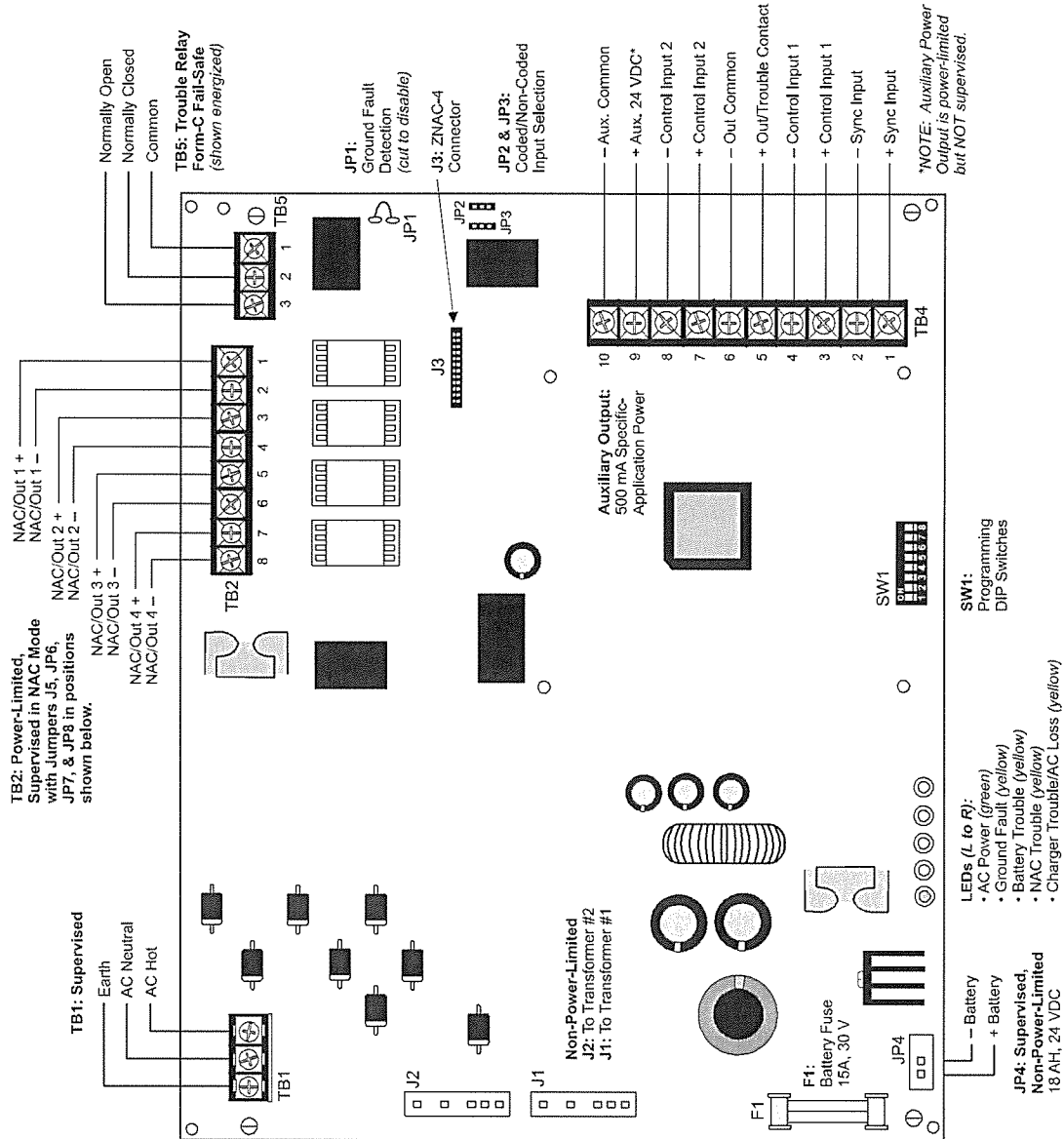
**BAT-1270:** Battery, 12-volt, 7.0 AH (two required).

**PS-1270:** Battery, 12-volt, 7.0 AH (two required).

**90286:** Optional module mounting kit, is required to install an addressable module on the power supply main circuit board.



Simplified Block Diagram

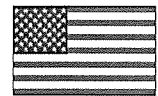


Board Layout

System Sensor® and FireLite® Alarms are registered trademarks of Honeywell International Inc.  
©2009 by Honeywell International Inc. All rights reserved. Unauthorized use of this document is strictly prohibited.



This document is not intended to be used for installation purposes.  
We try to keep our product information up-to-date and accurate.  
We cannot cover all specific applications or anticipate all requirements.  
All specifications are subject to change without notice.



Made in the U.S. A.

For more information, contact Fire•Lite Alarms. Phone: (800) 627-3473, FAX: (877) 699-4105.  
www.firelite.com