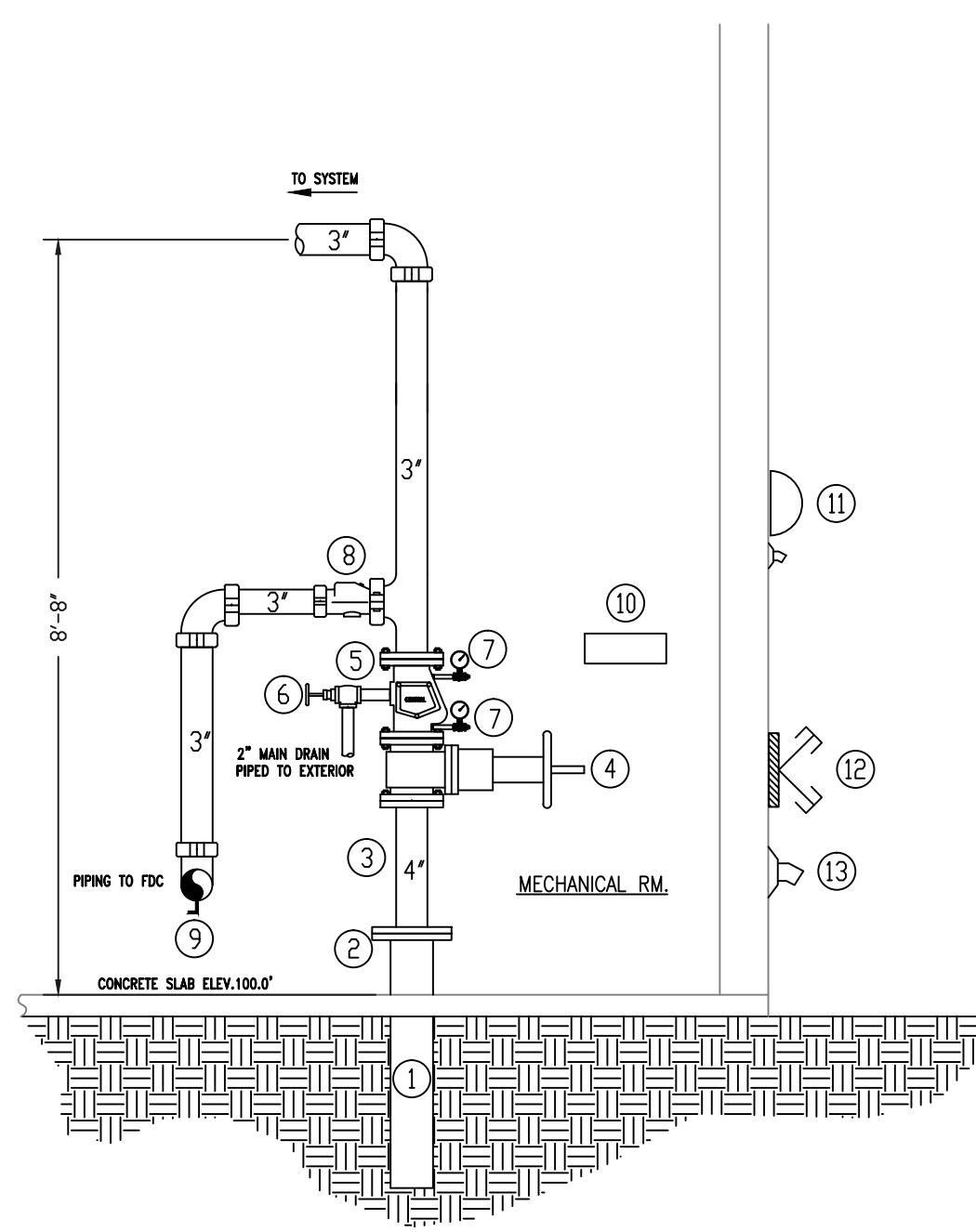


- LEGEND**
- ① EXIST. 6" DI. UNDERGROUND (BY OTHERS)
 - ② EXIST. 6" UNI-FLANGE (BY OTHERS)
 - ③ EXIST. 4" SPDL. PIECE W/ 4" X 11" FLG & 4" X 9" FLG
 - ④ EXIST. 4" O.S&Y GATE VALVE
 - ⑤ EXIST. 4" CENTRAL MODEL "F" ALARM VALVE
 - ⑥ EXIST. 4" ANGLE VALVE (MAIN DRAIN)
 - ⑦ EXIST. WATER PRESSURE GAUGE (0-300 PSI)
 - ⑧ EXIST. 3" GROOVED SWING CHECK VALVE
 - ⑨ EXIST. 1/2" BALL DRIP VALVE
 - ⑩ EXIST. HEAD BOX 6 SPARE HEADS AND HEAD WRENCH
 - ⑪ EXIST. WATER MOTOR GOING ALARM BELL, MOUNTED ON EXTERIOR OF BUILDING.
 - ⑫ EXIST. 2 1/2" X 2 1/2" X 4" SEI/SESE FDC W/ PLATE CAPS AND CHAIN
 - ⑬ EXIST. 2" GALVANIZED 45° ELBOW W/ GRINNELL PLATE



EXISTING SPRINKLER SYSTEM VALVE RISER "B"
NOT TO SCALE

SYSTEM NOTES

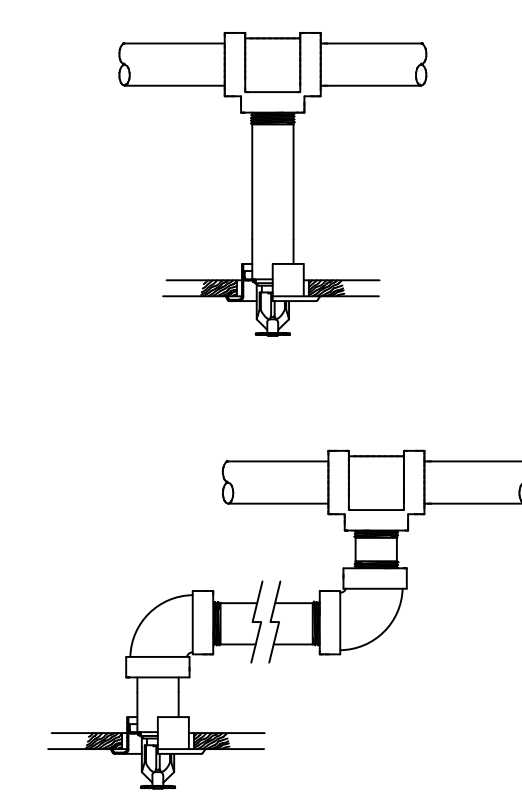
REWORK EXISTING SPRINKLER SYSTEM PIPING AND HEAD LOCATIONS TO MATCH NEW WALL AND CEILING LAYOUT. PIPE SHALL BE RAISED WHERE NECESSARY FOR THE NEW CEILING ELEVATIONS. NEW PENDENT HEADS AND ESCUTCHEONS WILL BE INSTALLED THROUGHOUT THE AREA OF WORK ONLY.

THE OCCUPANCY FOR THE RENOVATED SPACE REMAINS LIGHT HAZARD THEREFOR THE EXISTING PIPE SIZING SHALL REMAIN THE SAME. NO NEW HYDRAULIC CALCULATIONS HAVE BEEN PERFORMED.

ALTHOUGH NOT SPECIFIED, SOME SPRINKLER HEADS HAVE BEEN SHOWN @ CENTERLINE OF TILE. ACTUAL ORIENTATION OF HEADS WITH RESPECT TO CEILING COMPONENTS WILL VARY ACCORDING TO FIELD CONDITIONS.

ACOUSTICAL CEILING TILE (ACT) TO BE LISTED NON-COMBUSTIBLE WITH UL FLAME SPREAD OF LESS THAN 25.

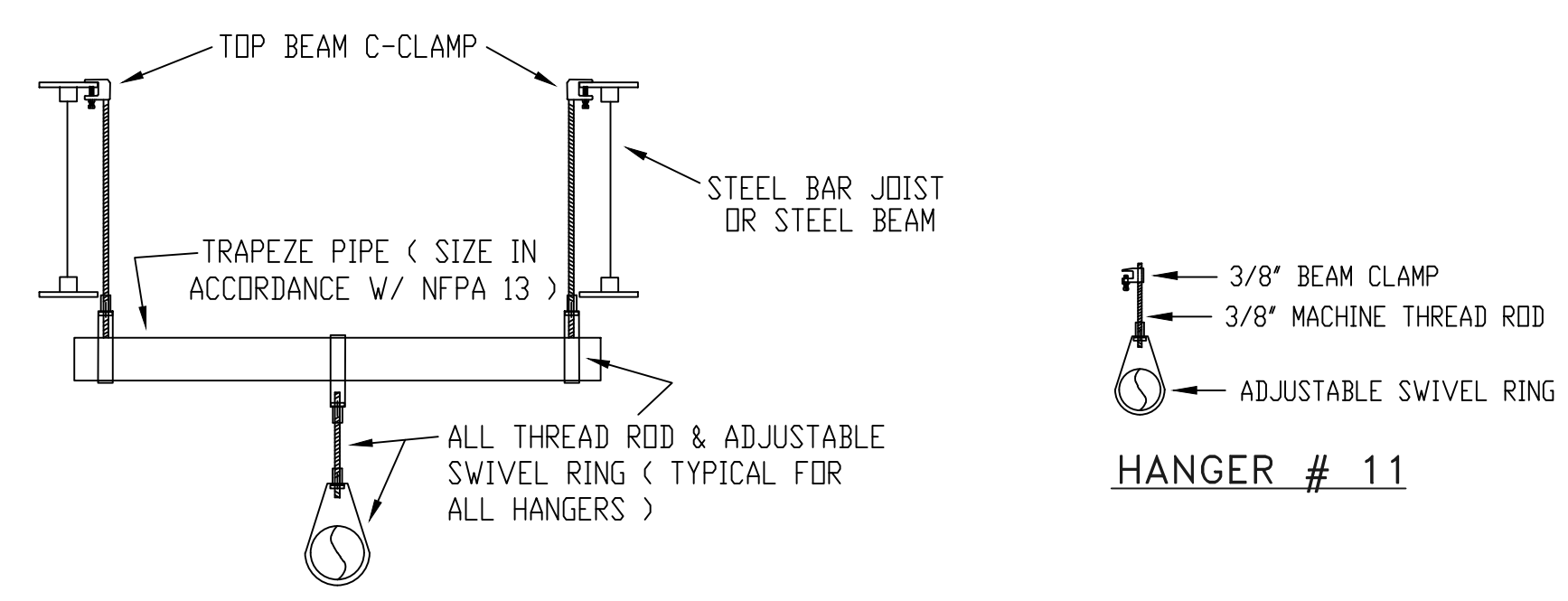
ALL WIRING TO BE DONE BY OTHERS



SPRINKLER HEAD DETAILS
NOT TO SCALE

FIRE SPRINKLER PLAN - FLOOR PLAN
SCALE: 1/8"=1'
AREA PROTECTED: 10,140 SQ.FT.
FINISH FLOOR ELEVATION: 100.0'
COLOR CODE: YELLOW

Symbol	Count	Thread	K-Factor	Description	Note
Ⓢ	109	1/2"	5.6	1/2" TYCO TY-FRB 200 CHROME PENDENT	on Drop
109 = Total Number of Heads in Area of Work					



HANGER # 11
NOT TO SCALE

HANGER # 14W
NOT TO SCALE

GENERAL NOTES	DATE	REVISIONS	REQUIRED APPROVALS	FIRE SPRINKLER PLANS & DETAILS
SPRINKLER SYSTEM INSTALLATION TO COMPLY WITH NFPA PAMPHLET # 13, 2010 EDITION BRANCH LINE PIPING TO BE BLACK SCHEDULE 40 JOINED BY THREADED DUCTILE IRON FITTINGS MAIN PIPING TO BE SCHEDULE # 10 BLACK WITH GROOVED ENDS & WELDED OUTLETS JOINED BY MECHANICAL COUPLINGS OWNER TO PROVIDE SUFFICIENT HEAT THROUGHOUT BUILDING TO PREVENT FREEZING OF WATER FILLED SPRINKLER PIPING AND EQUIPMENT. (< MIN. 40° F)			OWNER STATE FIRE MARSHAL PORTLAND FIRE DEPARTMENT DRAWN BY: TPP NICET LEVEL III CERT.# 100854 CHECKED BY: WAF NICET LEVEL III CERT.# 095574 CONTRACTOR LICENSE # 101 CONTRACTOR RMS # 368	MAINE NEPHROLOGY ASSOC. 1600 CONGRESS ST, PORTLAND, ME CONTRACT WITH: WRIGHT-RYAN CONSTRUCTION INC. EASTERN FIRE PROTECTION AUBURN/LEWISTON INDUSTRIAL AIRPARK, AUBURN, MAINE 04210 JOB NUMBER: AU-4843-11 SCALE: AS SHOWN DATE: 03/12/12