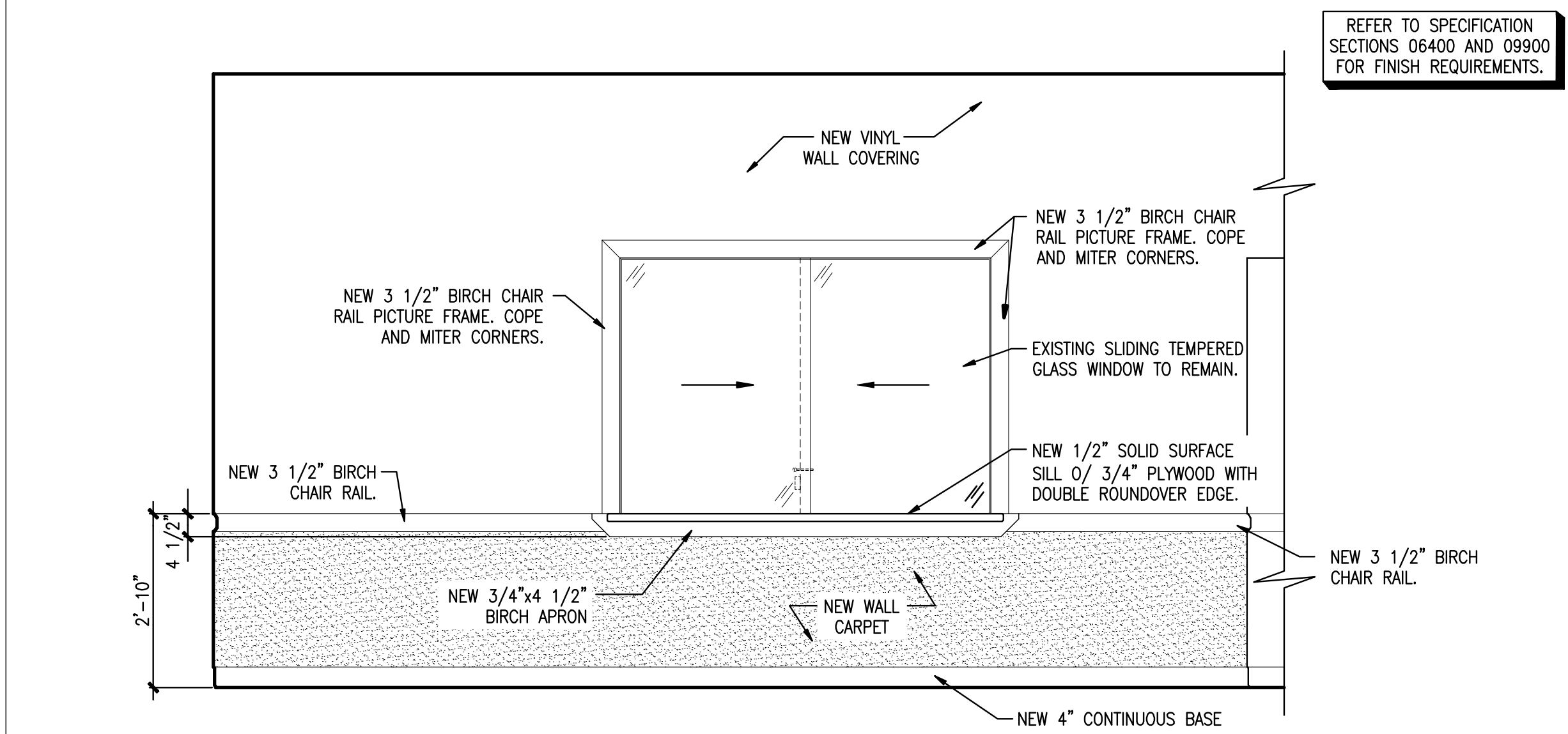
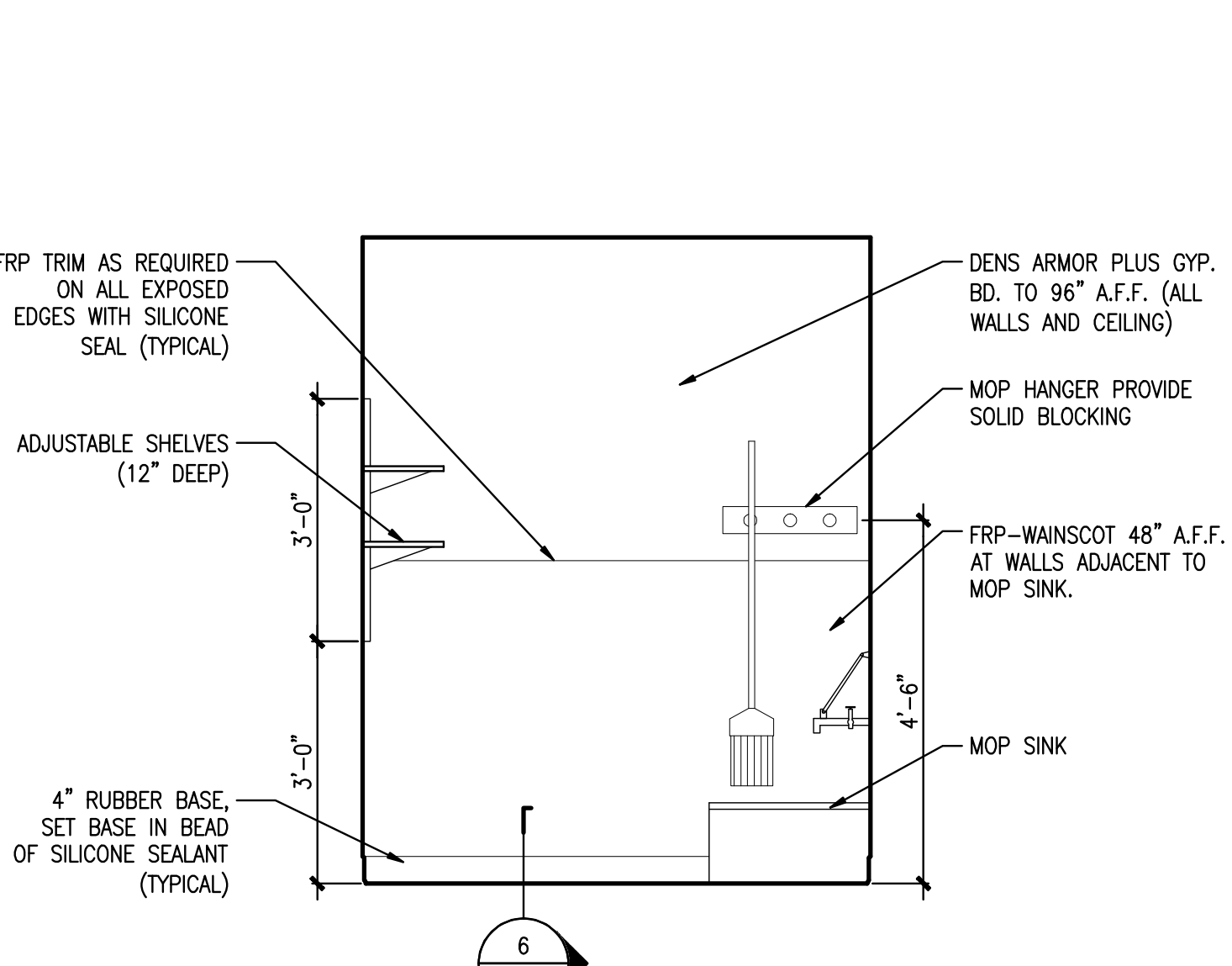


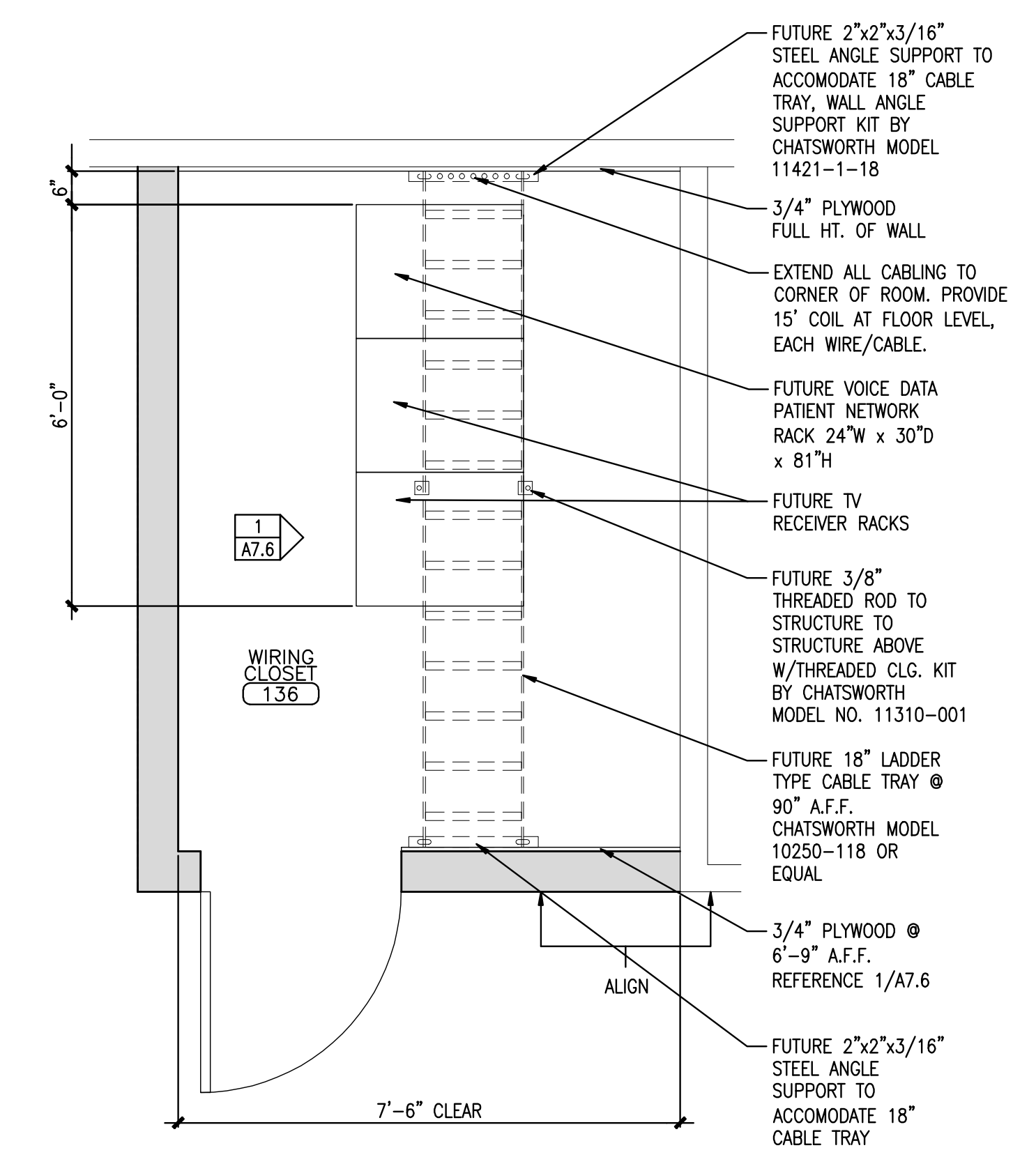
**1 ELEVATION @ WIRING CLOSET (136)**  
 REFERENCED FROM: SCALE: 1/2" = 1'-0"  
 FRESenius REFERENCE: A-33



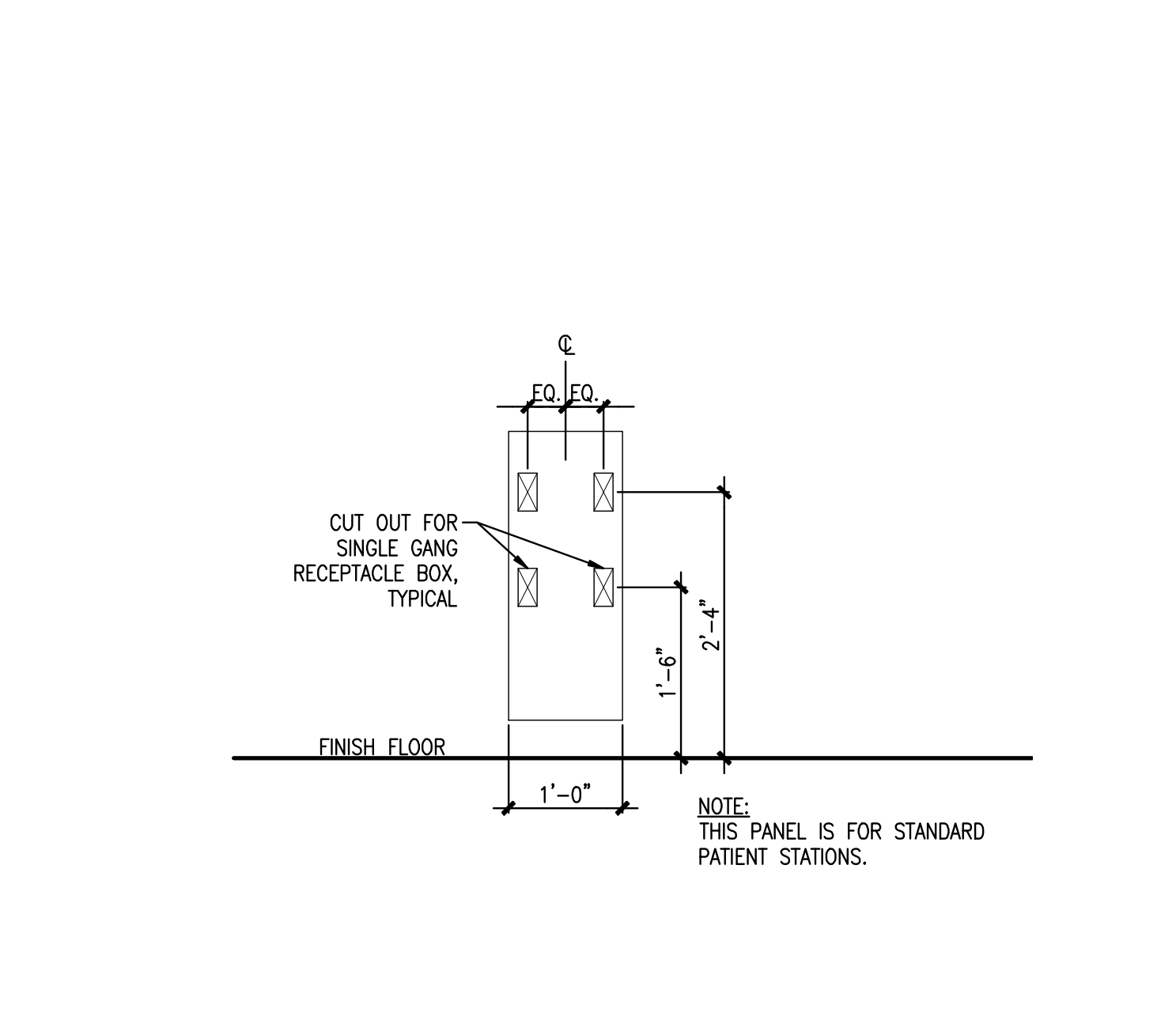
**2 ELEVATION @ EXISTING RECEPTION WINDOW**  
 REFERENCED FROM: SCALE: 1/2" = 1'-0"  
 FRESenius REFERENCE: AD-11



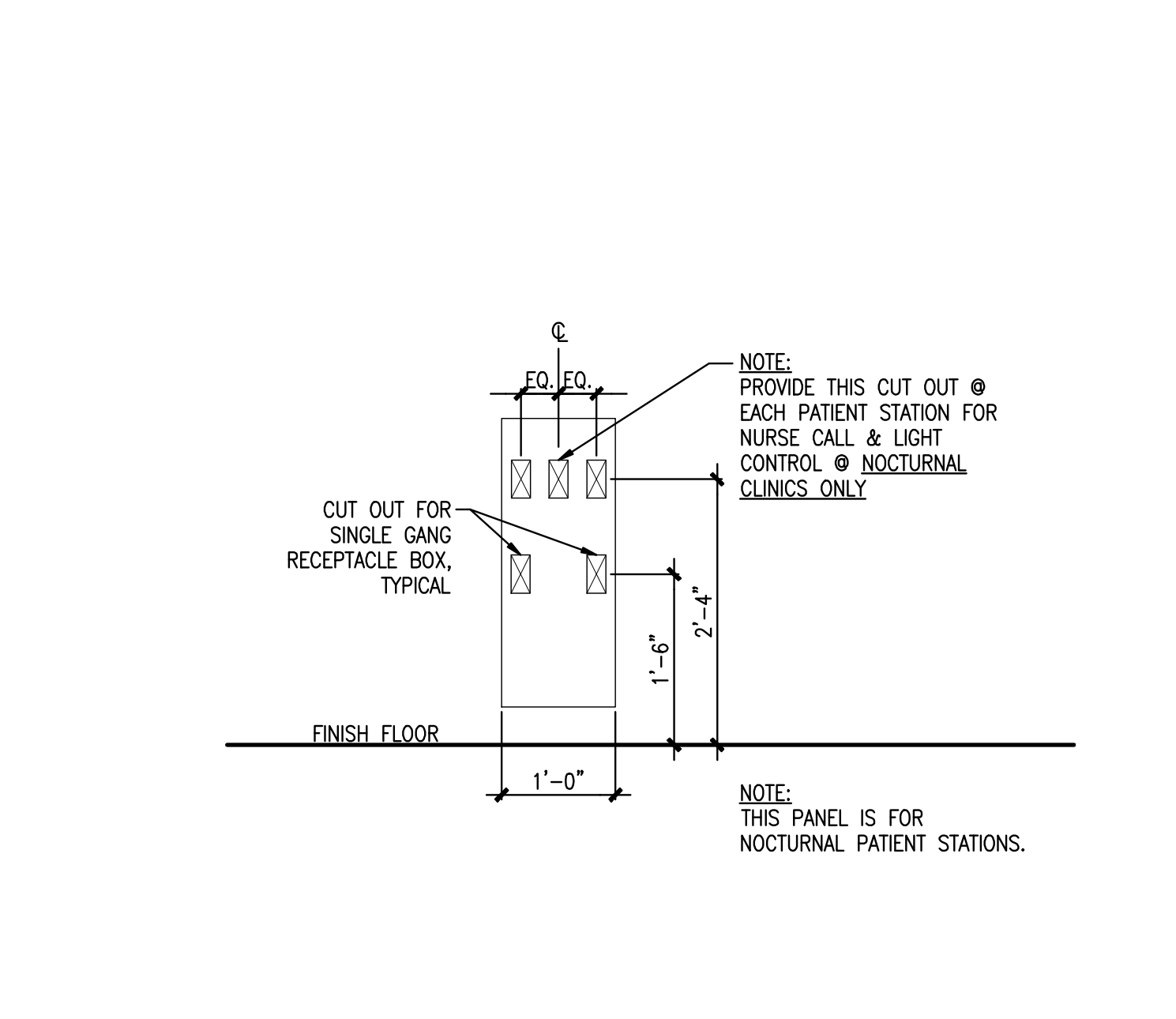
**4 ELEVATION @ JANITOR (115)**  
 REFERENCED FROM: SCALE: 1/2" = 1'-0"  
 FRESenius REFERENCE: A-9



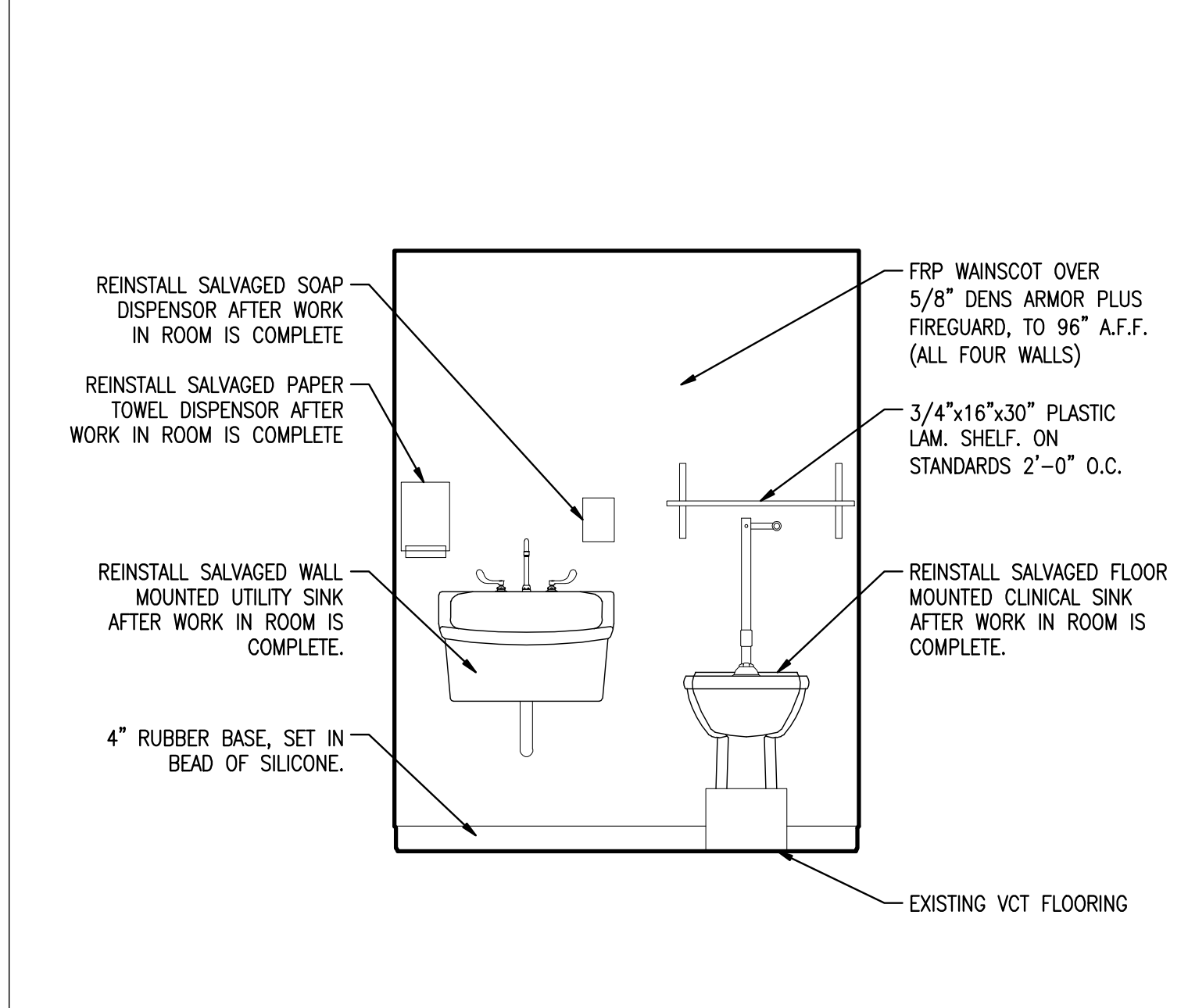
**5 ENLARGED WIRING CLOSET PLAN**  
 REFERENCED FROM: SCALE: 1/2" = 1'-0"  
 FRESenius REFERENCE: A-32



**6 PLYND PANEL CUT OUT DIAGRAM**  
 REFERENCED FROM: SCALE: 3/4" = 1'-0"  
 FRESenius REFERENCE: \*\*\*



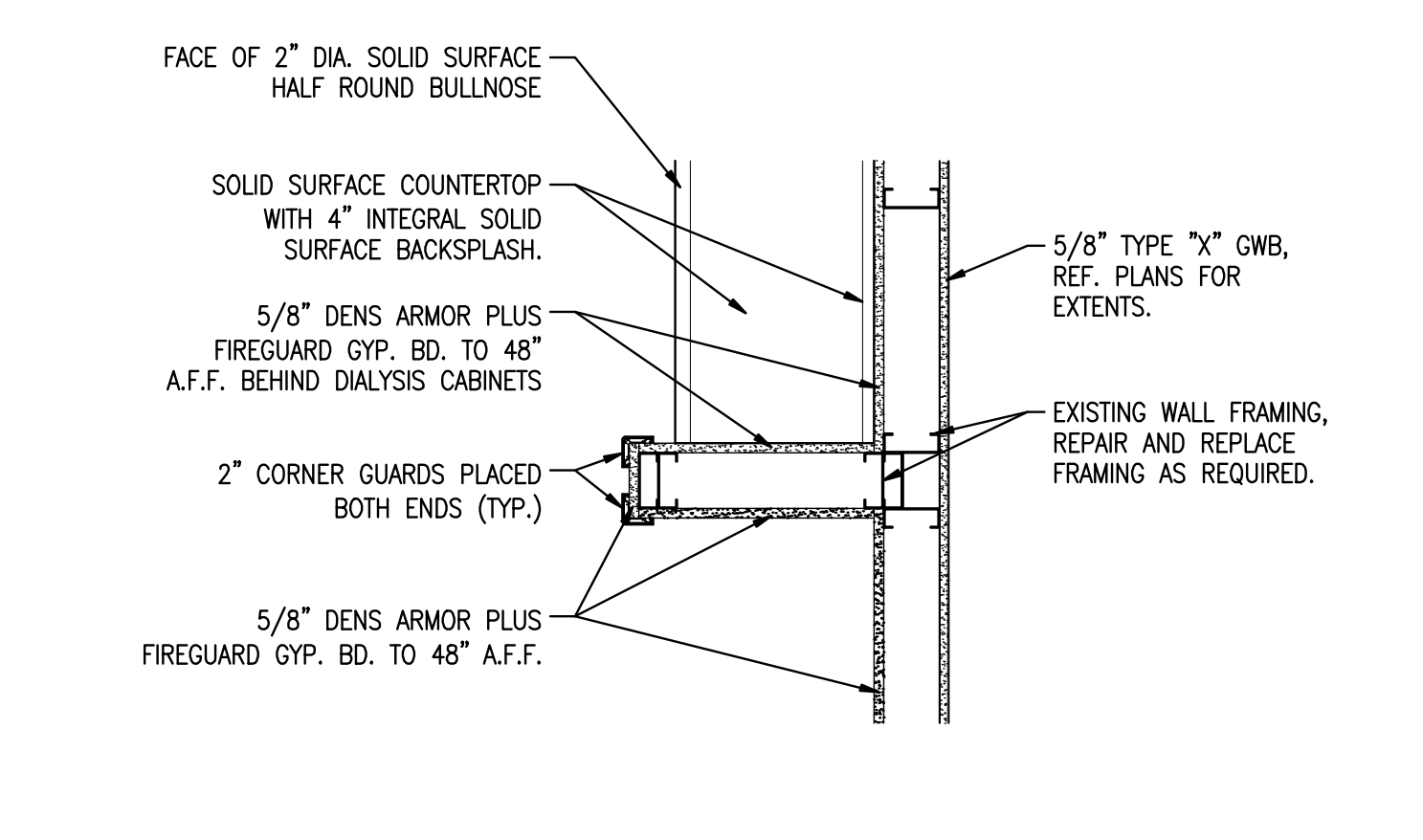
**7 PLYND PANEL CUT OUT DIAGRAM**  
 REFERENCED FROM: SCALE: 3/4" = 1'-0"  
 FRESenius REFERENCE: A-34



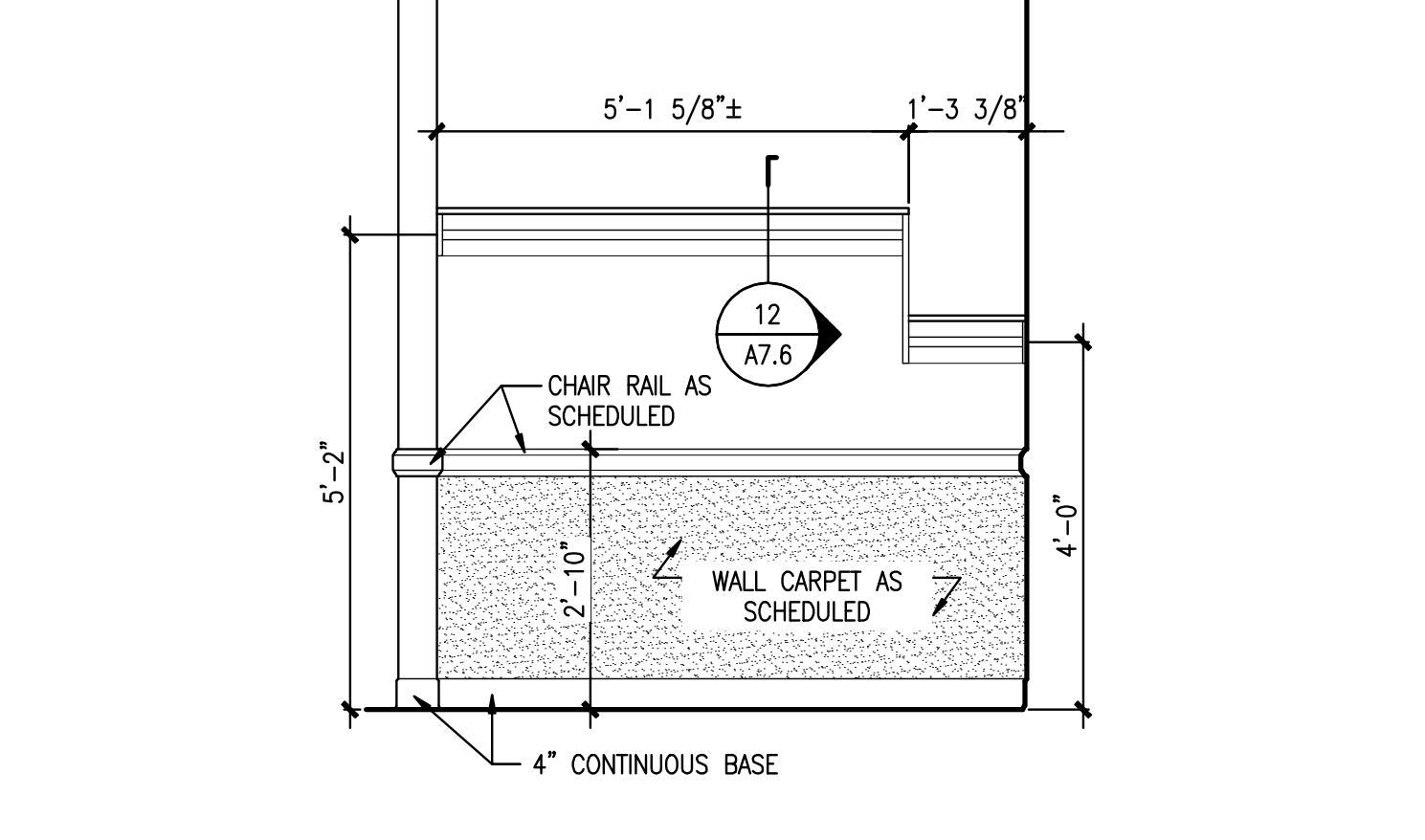
**8 ELEVATION @ SOILED UTILITY (116)**  
 REFERENCED FROM: SCALE: 6" = 1'-0"  
 FRESenius REFERENCE: A-10



**10 TYP. DIALYSIS COUNTER END WALL**  
 REFERENCED FROM: SCALE: 1/2" = 1'-0"  
 FRESenius REFERENCE: AD-51



**11 ELEVATION @ COAT RACK**  
 REFERENCED FROM: SCALE: 1/2" = 1'-0"  
 FRESenius REFERENCE: AD-21



**12 DETAIL @ COAT RACK**  
 REFERENCED FROM: SCALE: 1/2" = 1'-0"  
 FRESenius REFERENCE: AD-27



CWS Architects  
 434 Cumberland Avenue  
 Portland, ME 04101  
 Phone: (207) 774-4441  
 Fax: (207) 774-4016  
 www.CWSarch.com

THE RENOVATIONS TO  
 SOUTHERN MAINE DIALYSIS  
 PORTLAND, MAINE #190  
 1600 CONGRESS STREET  
 PORTLAND, MAINE 04101

FRESenius SERVICES  
 MEDICAL SERVICES  
 DIALYSIS SERVICES  
 NORTH AMERICA  
 1226 MAIN STREET  
 WALTHAM, MA 02451  
 (781) 891-0829  
 (781) 891-0830

Owner: FRESenius

Date:	Description:

Drawing Title: MISC. ELEVATIONS AND DETAILS  
 Scale: AS NOTED  
 Date: 9/04/2007  
 CWS Proj. No.: 2006-447-1p

Drawing Number:  
**A7.6**