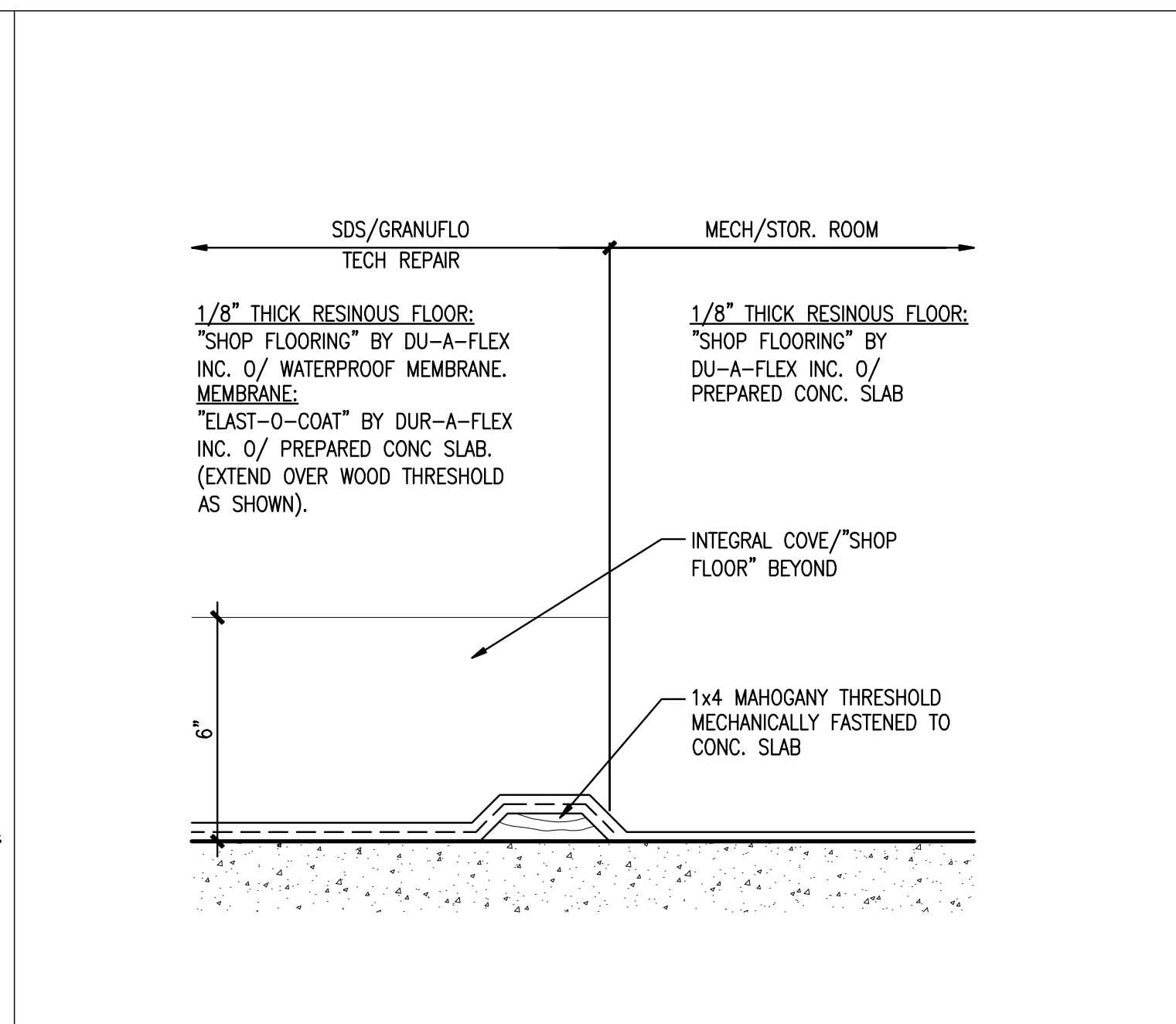
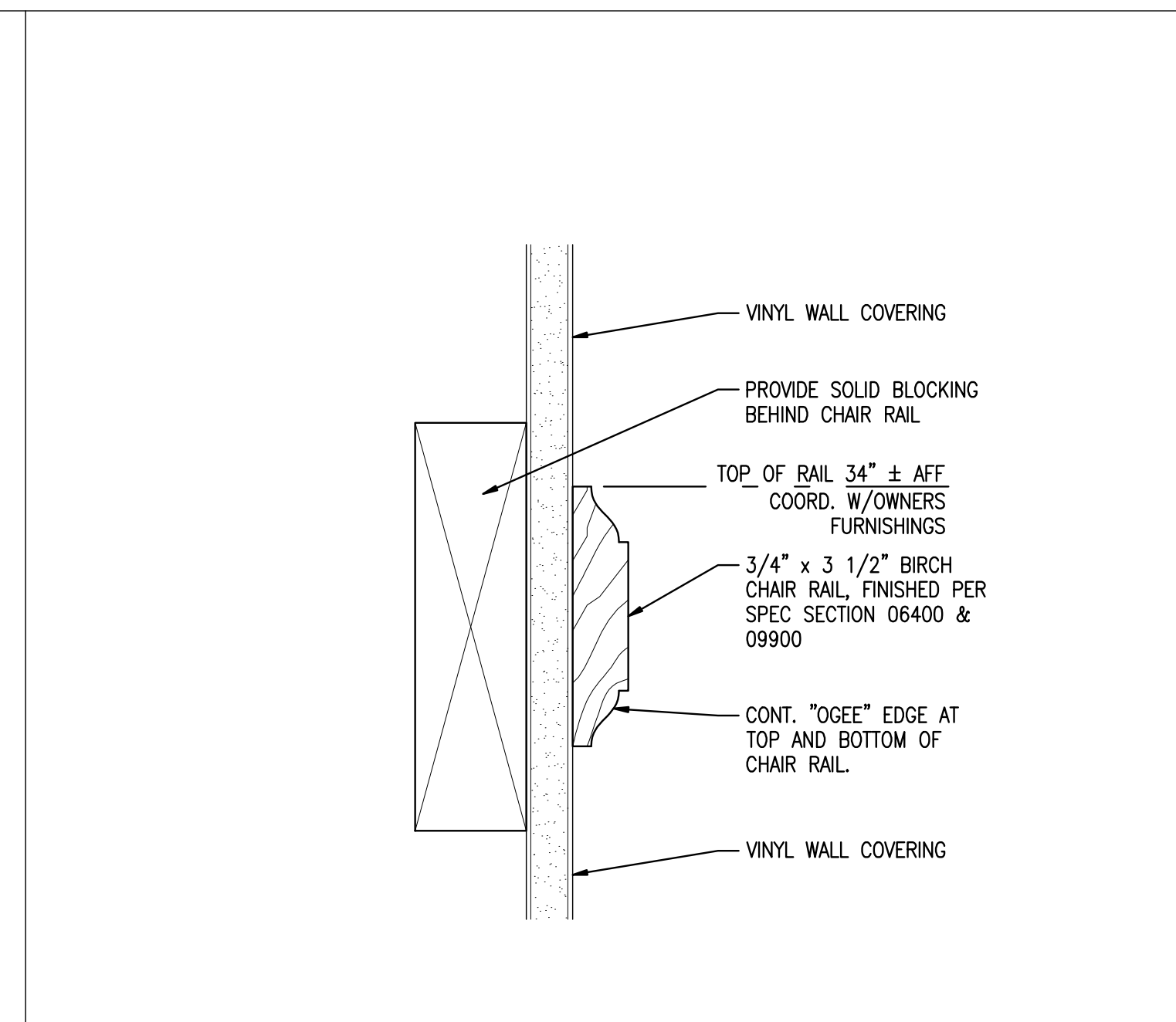


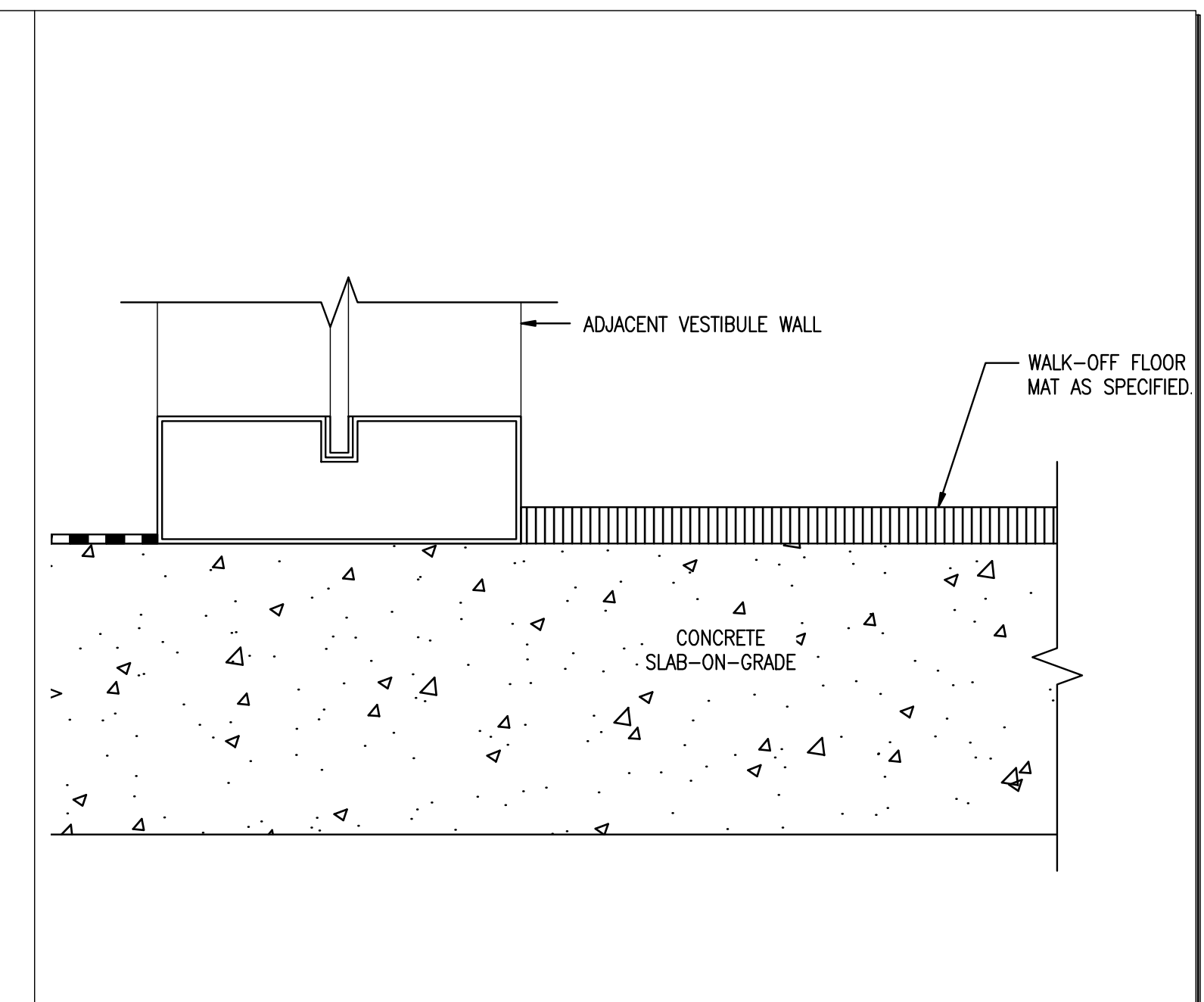
1 **DETAIL @ RESINOUS FLOORING**
 REFERENCED FROM: SCALE: 3" = 1'-0"
 FRESenius REFERENCE: AD-53



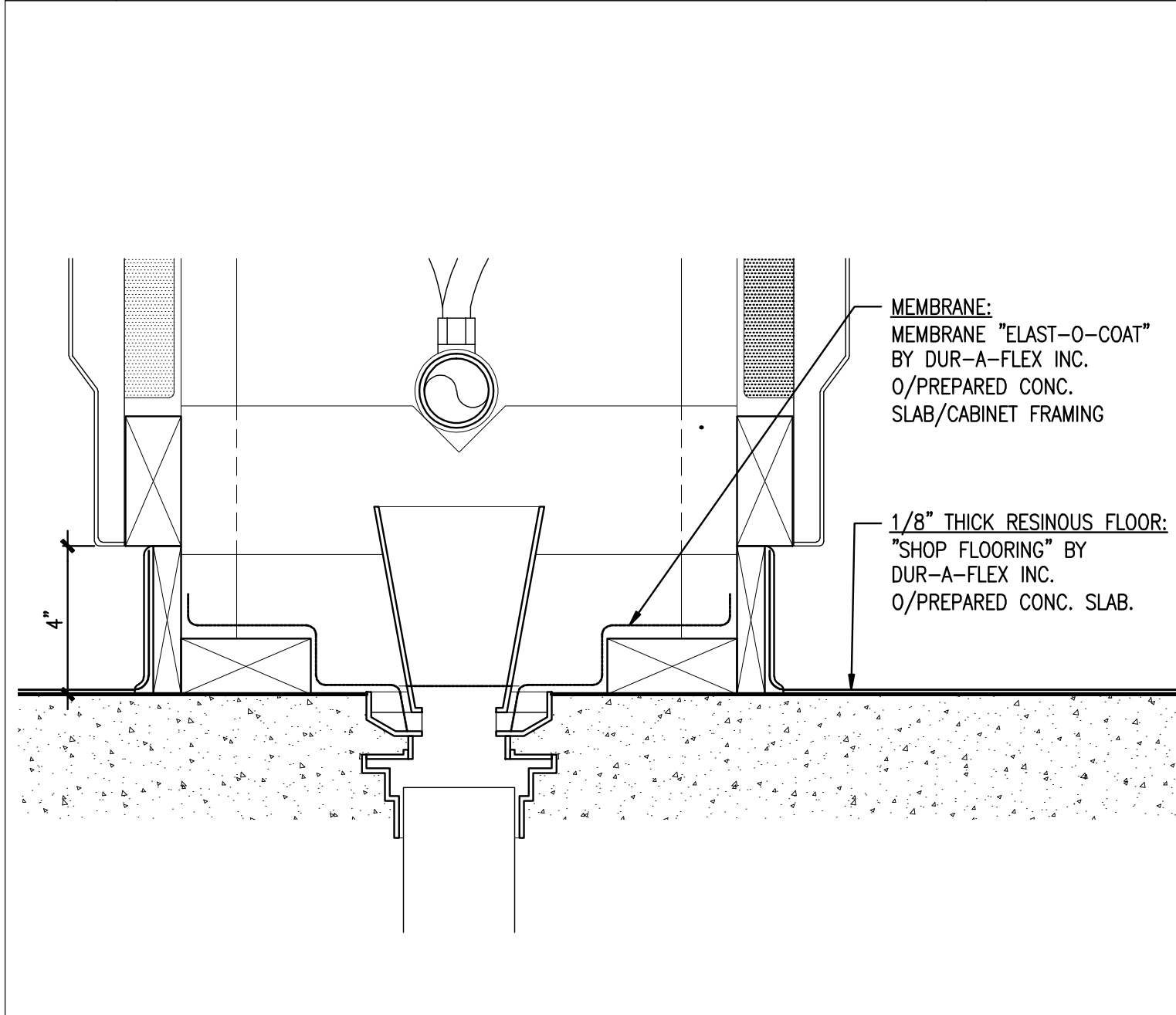
2 **DETAIL @ WATER THRESHOLD CURB**
 REFERENCED FROM: SCALE: 3" = 1'-0"
 FRESenius REFERENCE: AD-52



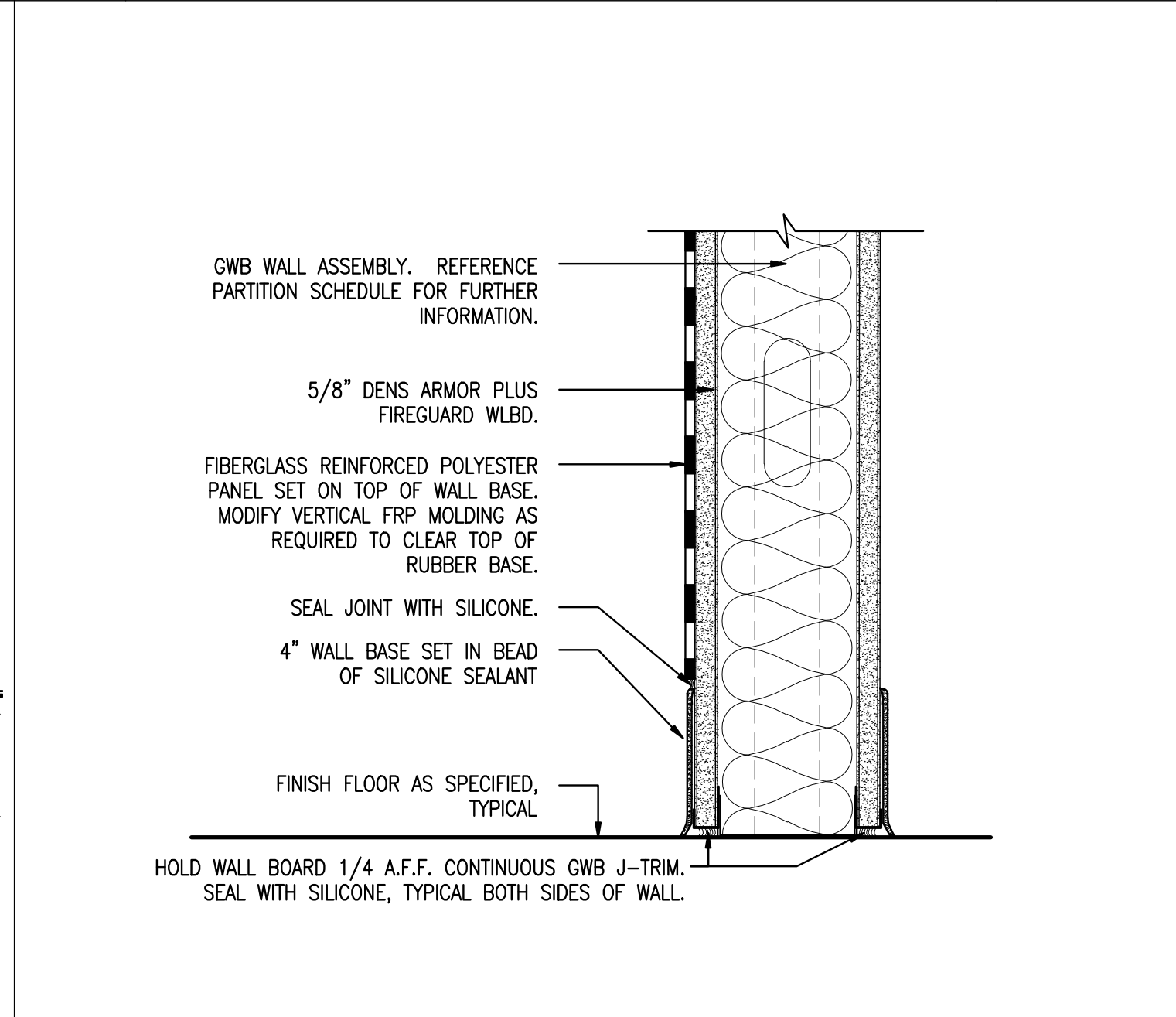
3 **DETAIL @ CHAIR RAIL**
 REFERENCED FROM: SCALE: 6" = 1'-0"
 FRESenius REFERENCE: AD-28



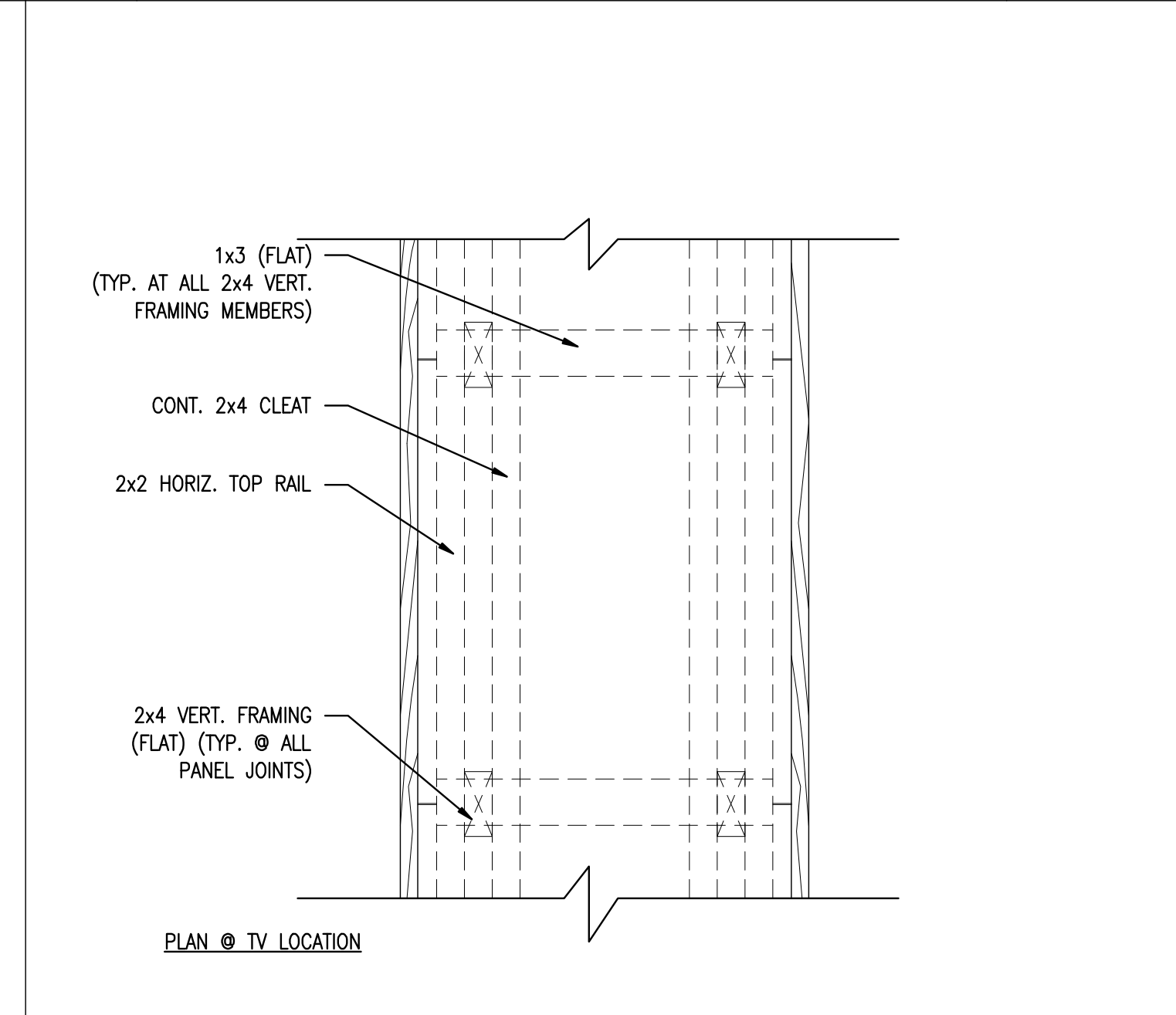
4 **DETAIL @ WALK-OFF MAT**
 REFERENCED FROM: SCALE: 6" = 1'-0"
 FRESenius REFERENCE: AD-43



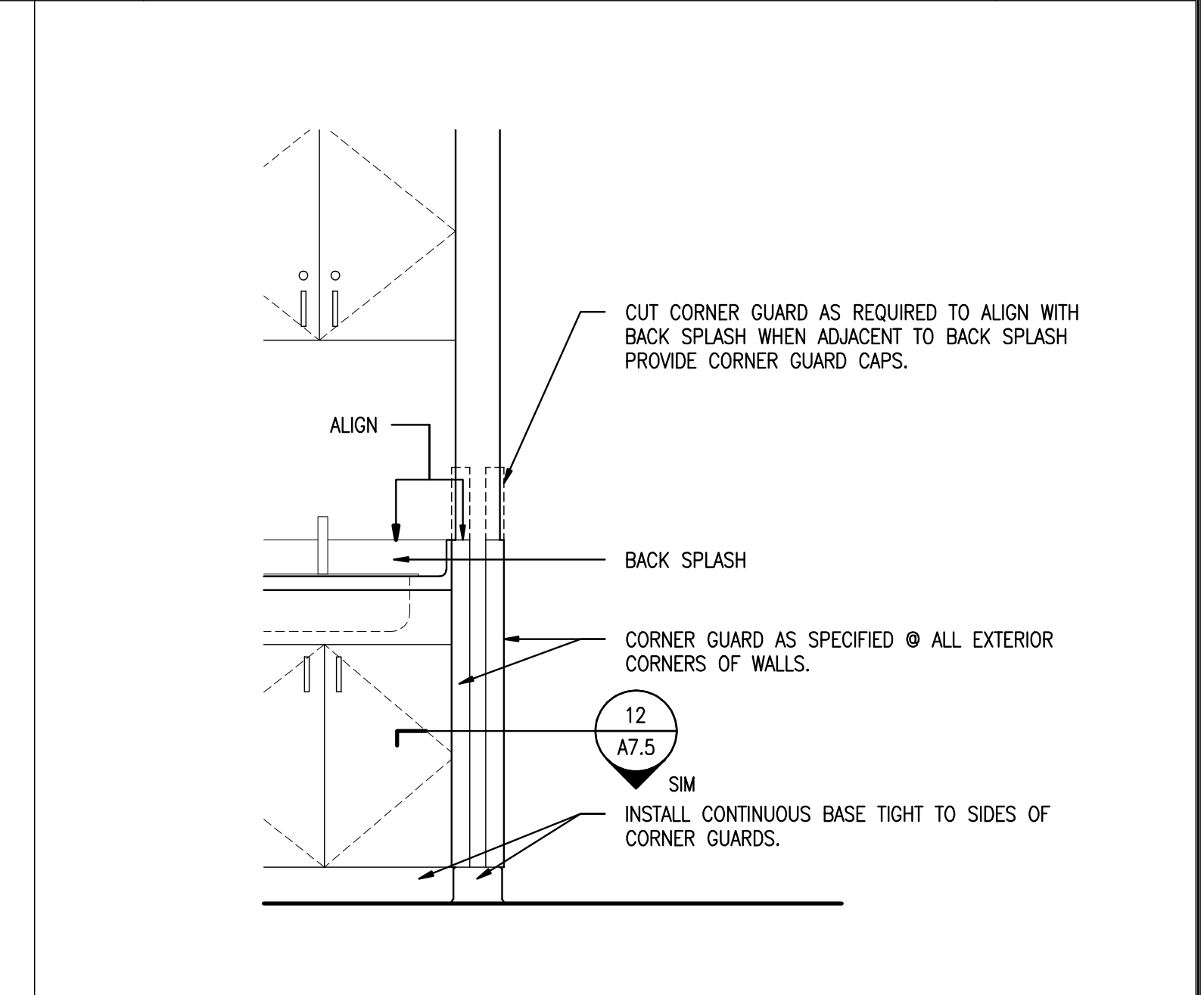
5 **DIALYSIS COUNTER WATERPROOFING**
 REFERENCED FROM: SCALE: 3" = 1'-0"
 FRESenius REFERENCE: AD-57



6 **DETAIL @ FRP & WALL BASE**
 REFERENCED FROM: SCALE: 3" = 1'-0"
 FRESenius REFERENCE: AD-22



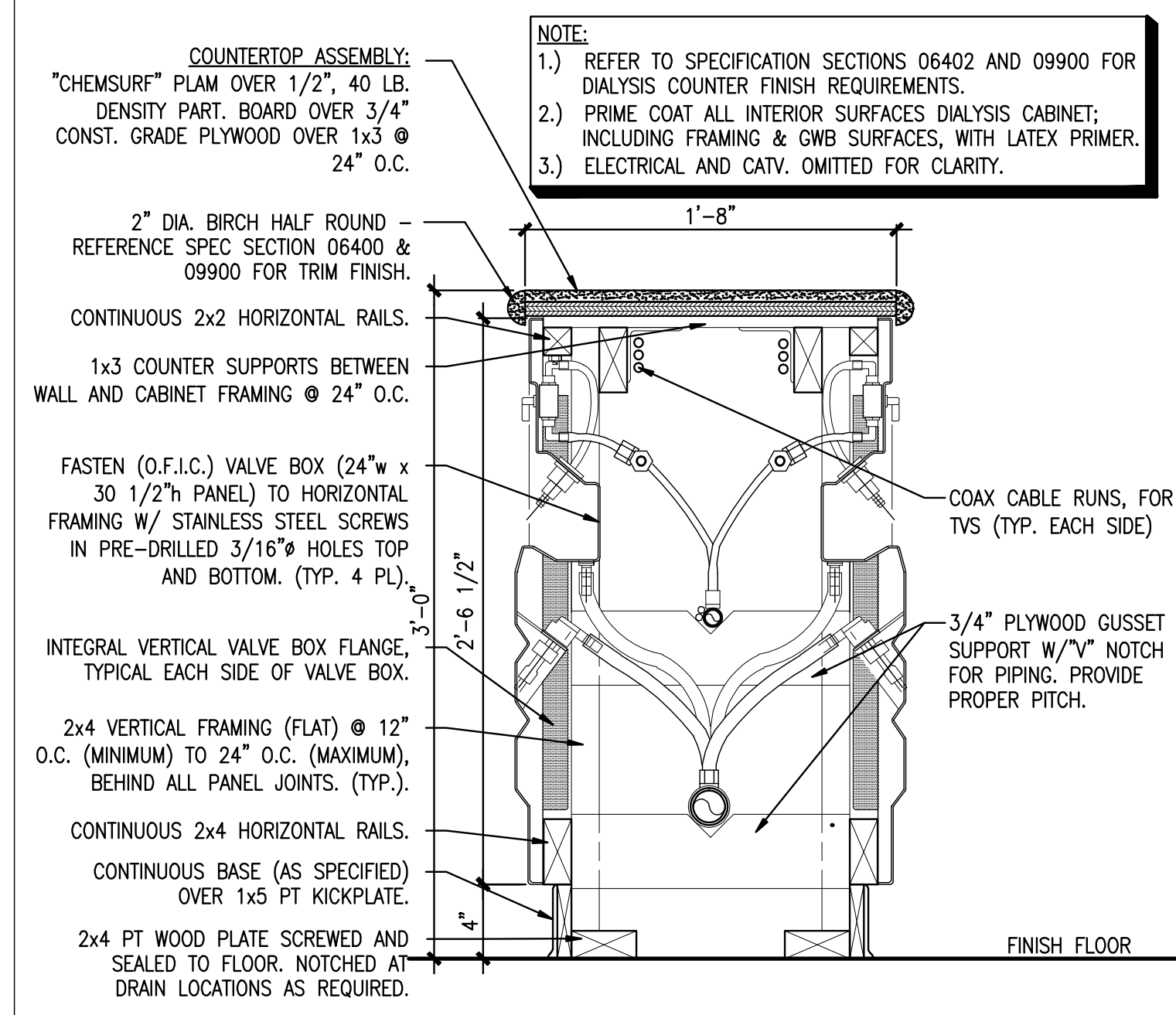
7 **PLAN DETAIL @ ISLAND COUNTER**
 REFERENCED FROM: SCALE: 1 1/2" = 1'-0"
 FRESenius REFERENCE: AD-50



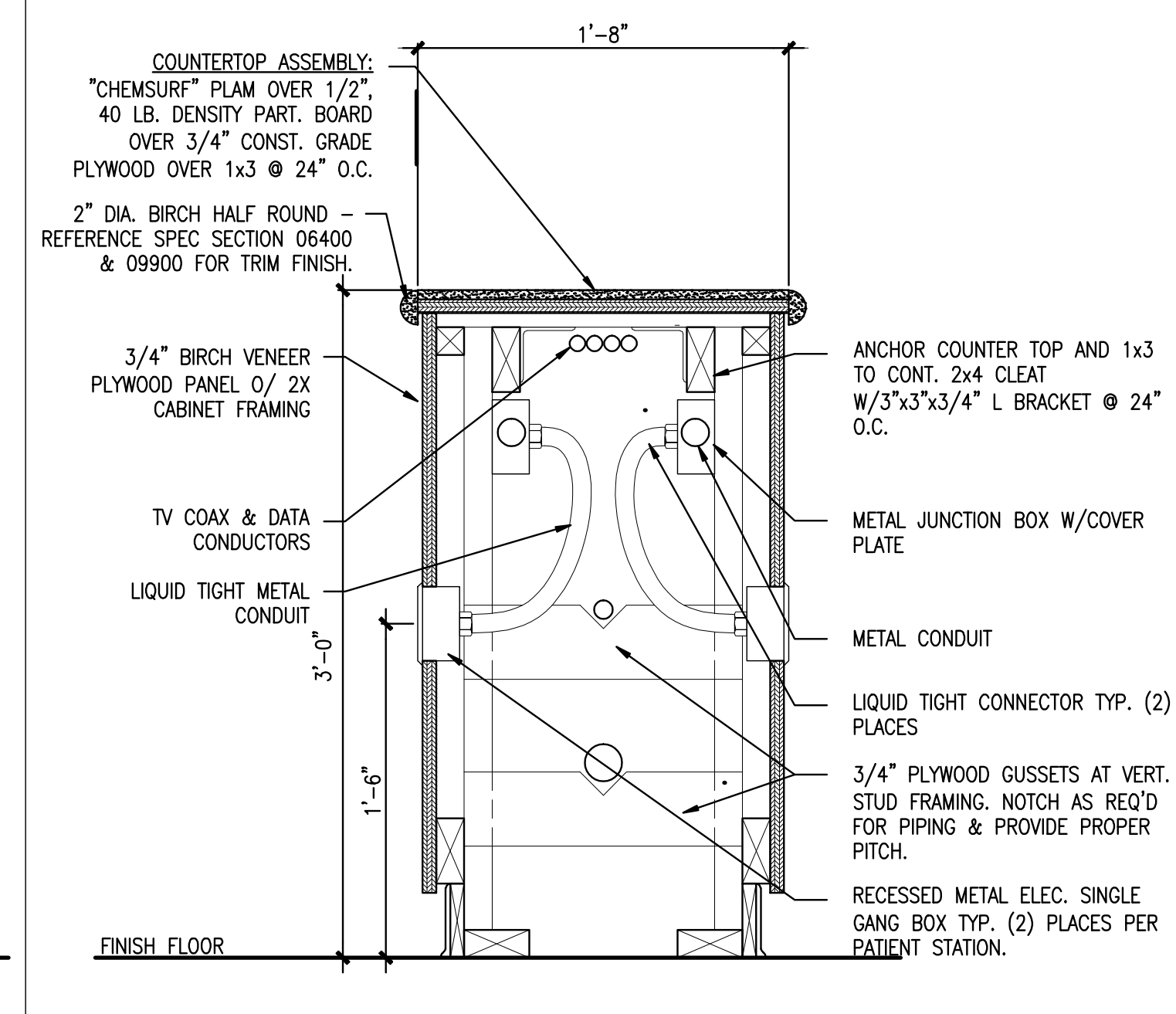
8 **CORNER GUARD ELEVATION**
 REFERENCED FROM: SCALE: 6" = 1'-0"
 FRESenius REFERENCE: AD-43



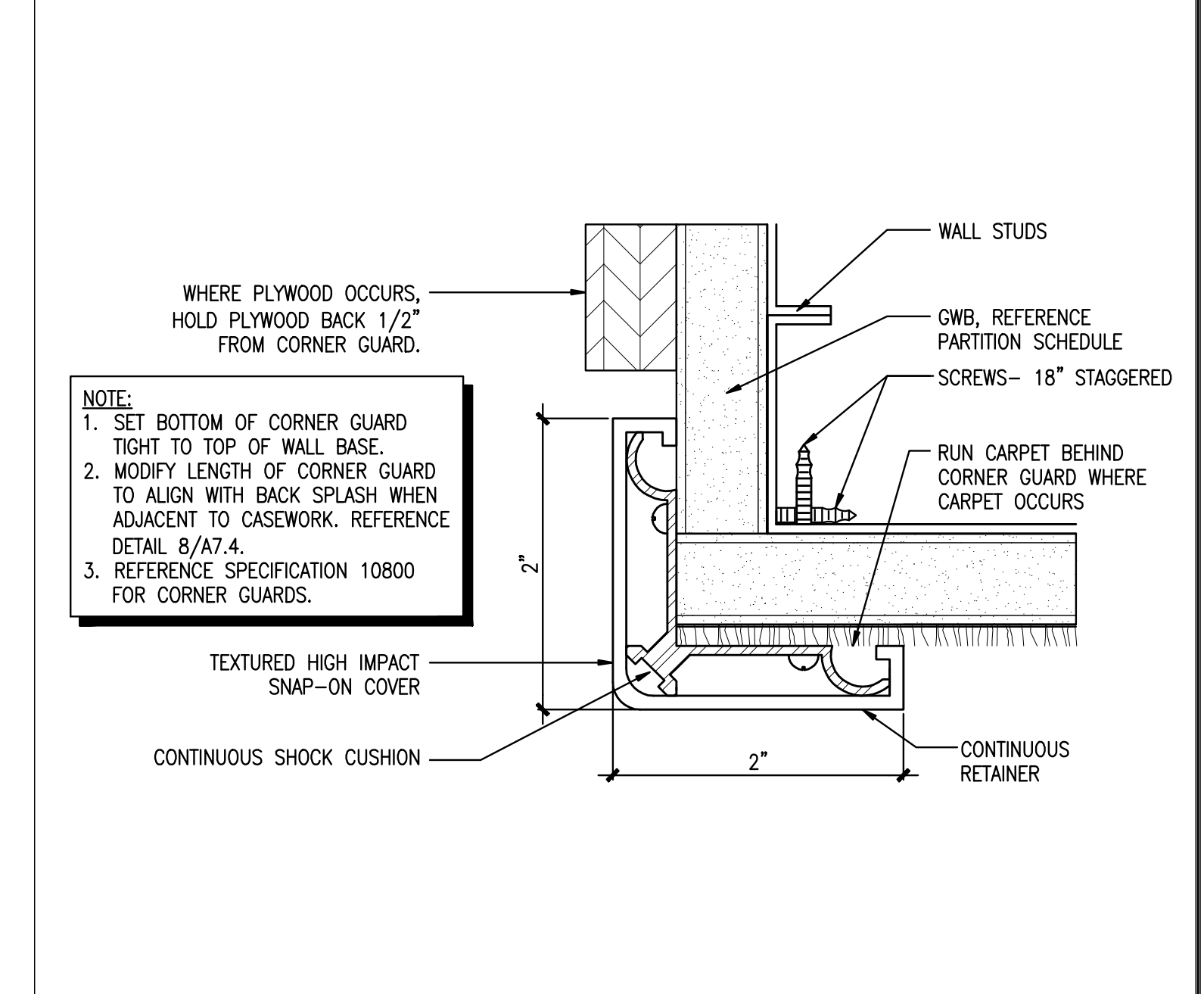
9 **NOT USED**
 REFERENCED FROM: SCALE: **
 FRESenius REFERENCE: **



10 **ISLAND COUNTER @ VALVE PANEL**
 REFERENCED FROM: SCALE: 1 1/2" = 1'-0"
 FRESenius REFERENCE: AD-45



11 **ISL. COUNTER @ ELEC/FIXED PANEL**
 REFERENCED FROM: SCALE: 1 1/2" = 1'-0"
 FRESenius REFERENCE: AD-50



12 **DETAIL @ CORNER GUARD**
 REFERENCED FROM: SCALE: 1" = 1"
 FRESenius REFERENCE: AD-23



CWS
 Architects
 434 Cumberland Avenue
 Portland, ME 04101
 Phone: (207) 774-4441
 Fax: (207) 774-4016
 www.CWSarch.com

THE RENOVATIONS TO
 SOUTHERN MAINE DIALYSIS
 PORTLAND, MAINE #190
 1600 CONGRESS STREET
 PORTLAND, MAINE 04101

Owner:
 FRESenius
 MEDICAL SERVICES
 DIALYSIS SERVICES
 NORTH AMERICA
 1256 MAIN STREET
 WALTHAM, MA 02451
 (781) 891-0829
 (781) 891-0830

REVISIONS:

Date:	Description:

Drawing Title:
 MISC. SECTIONS
 AND DETAILS
 Scale: AS NOTED
 Date: 9/04/2007
 CWS Proj. No.: 2006-447-1pt

Drawing Number:
A7.5