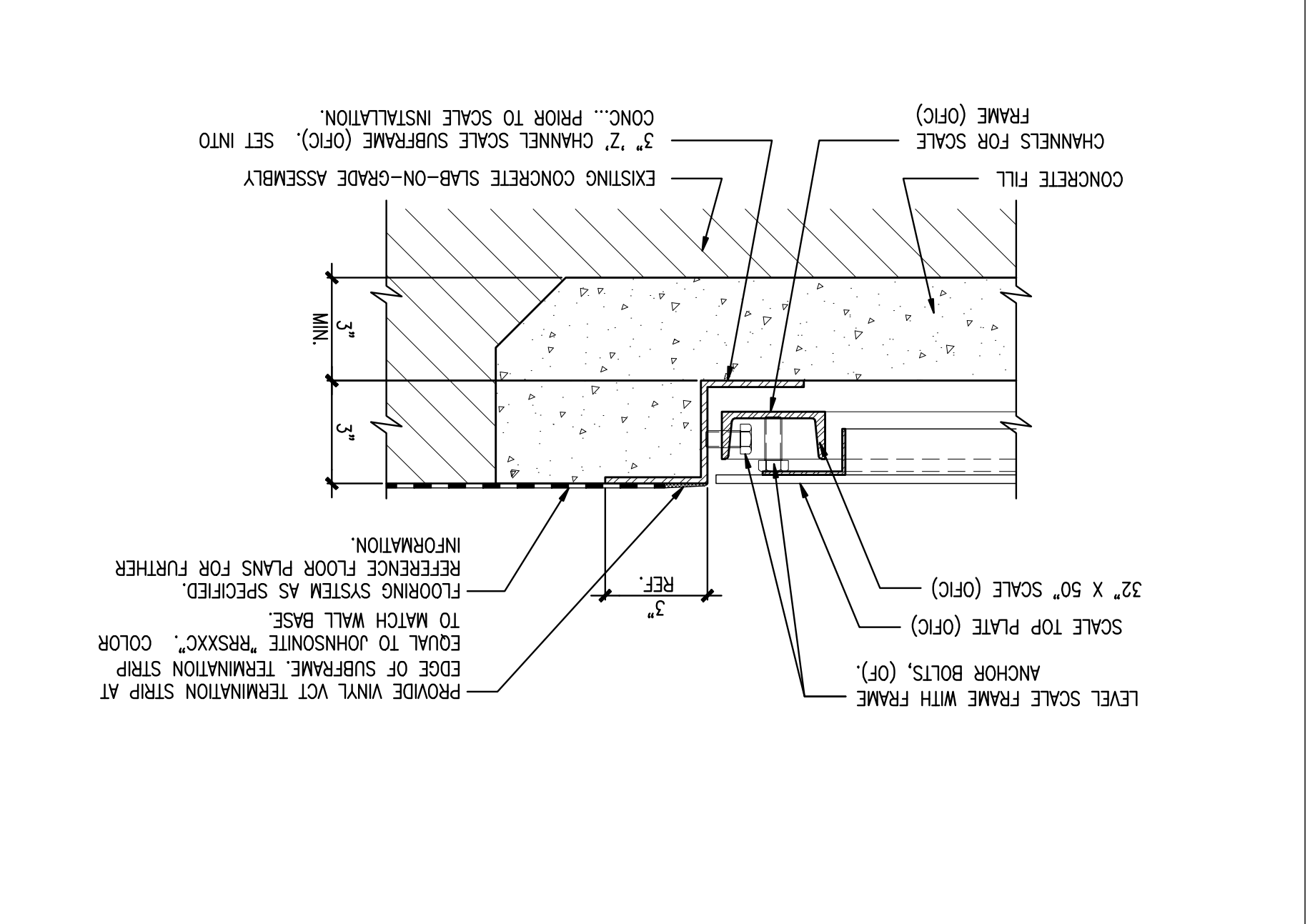


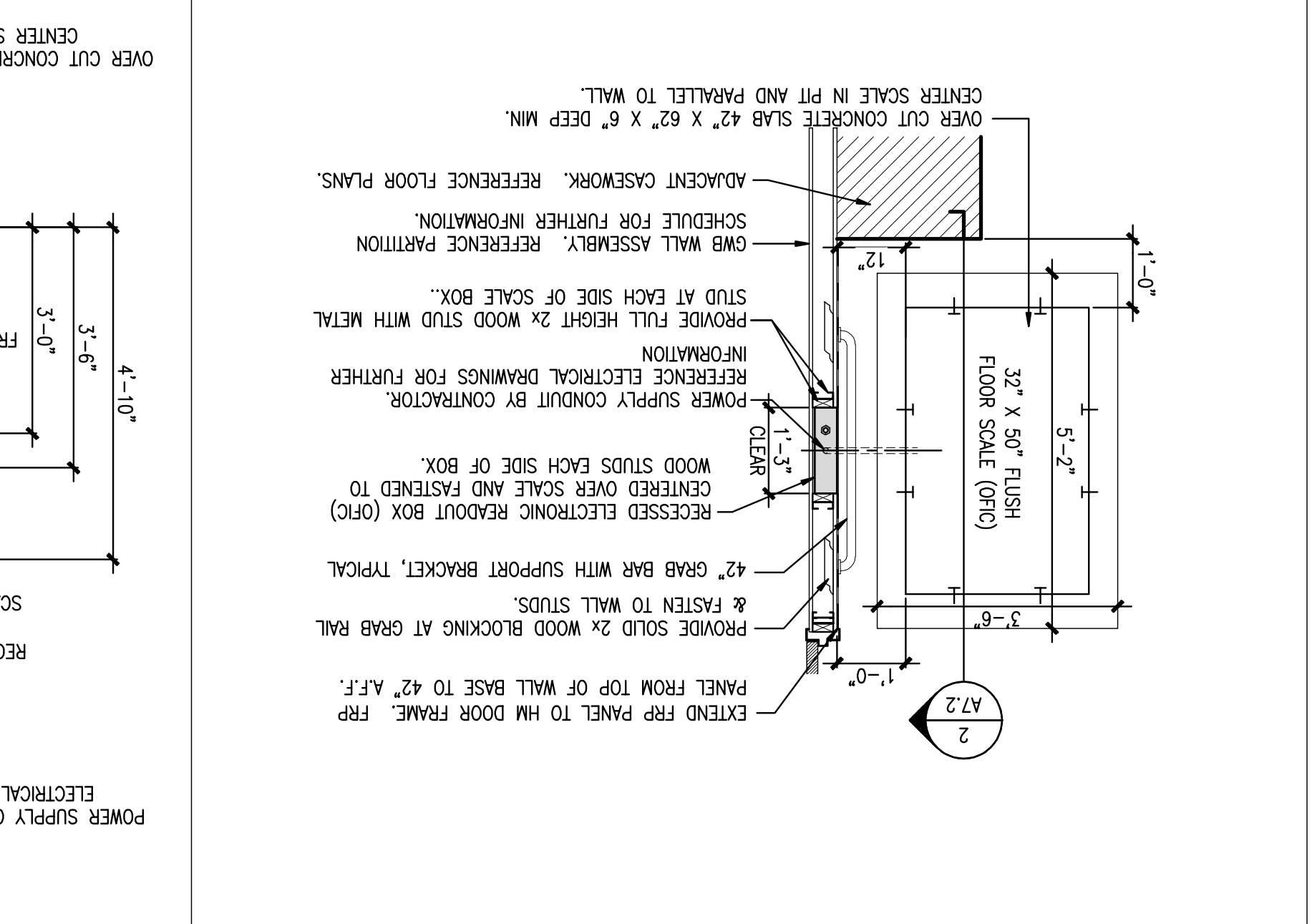
7 NOT USED
 REFERENCED FROM:
 SCALE: 1/2" = 1'-0"



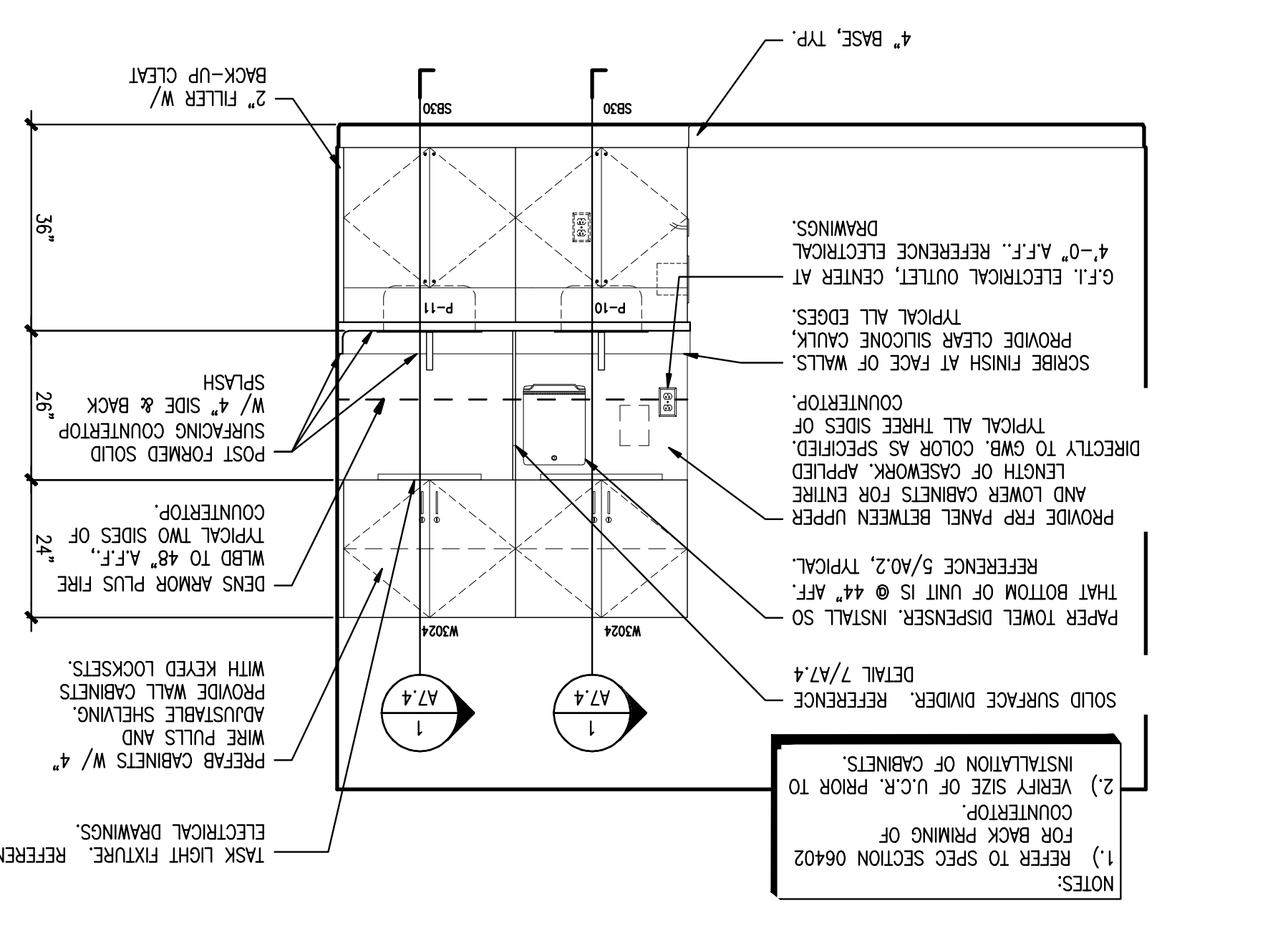
4 DETAIL @ ELECTRONIC SCALE
 REFERENCED FROM: AD24
 REFERENCE: PRESENUS
 SCALE: 3" = 1'-0"



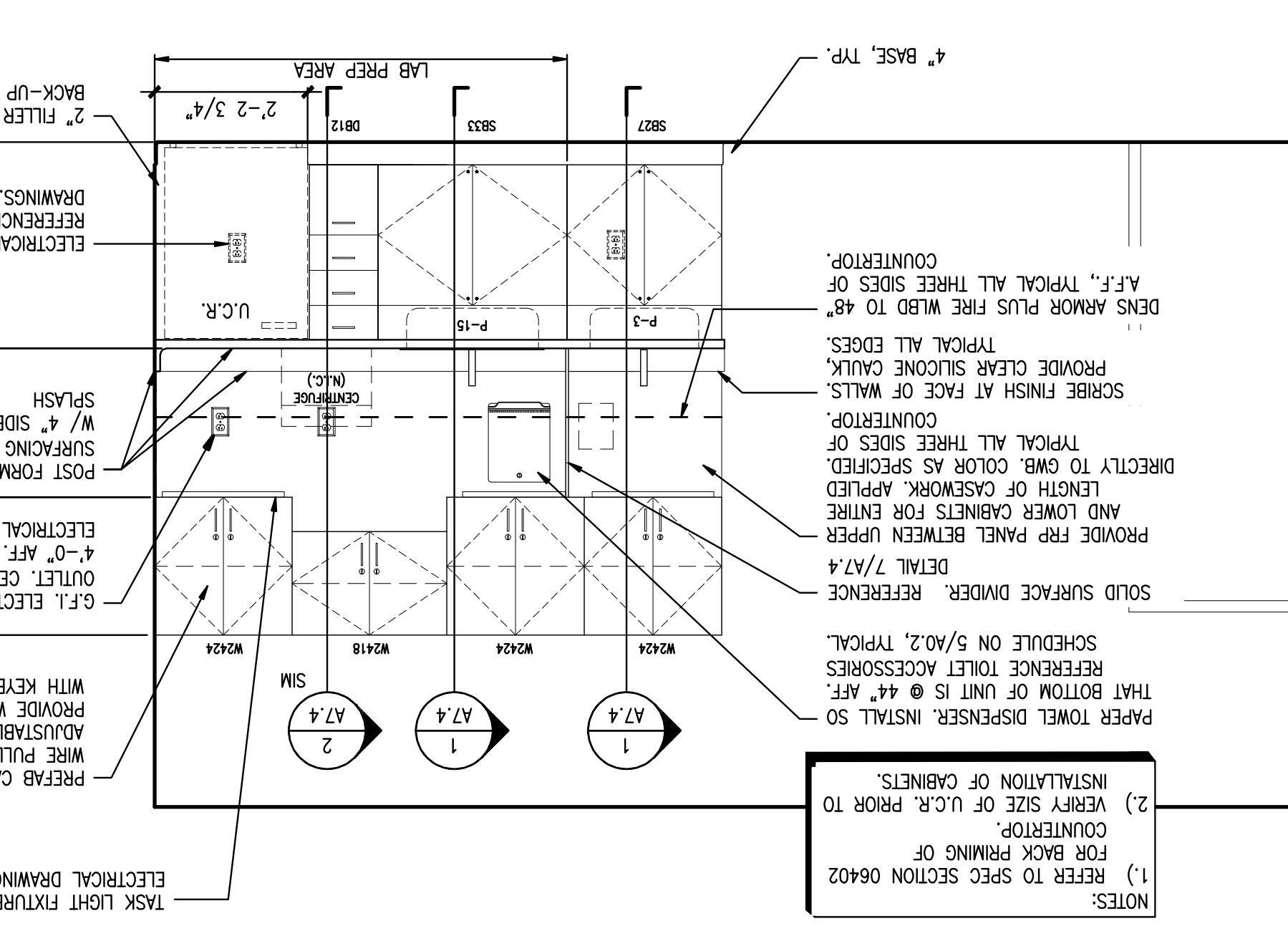
1 PLAN DETAIL @ ELECTRONIC SCALE
 REFERENCED FROM: AD-24
 REFERENCE: PRESENUS
 SCALE: 1/2" = 1'-0"



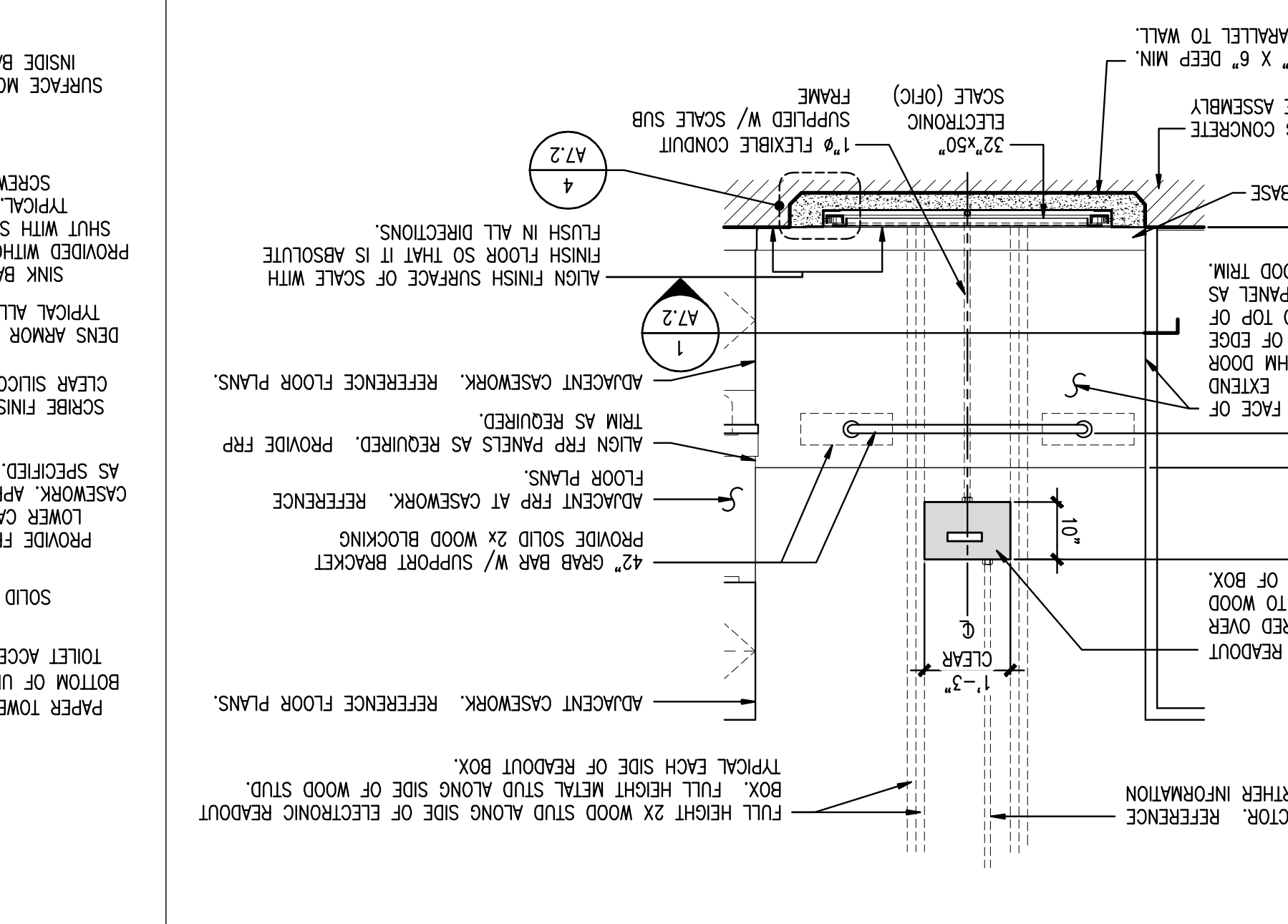
8 CASEWORK ELEVATION @ HOME HEMO ROOM
 REFERENCED FROM: PRESENUS
 REFERENCE: **
 SCALE: 1/2" = 1'-0"



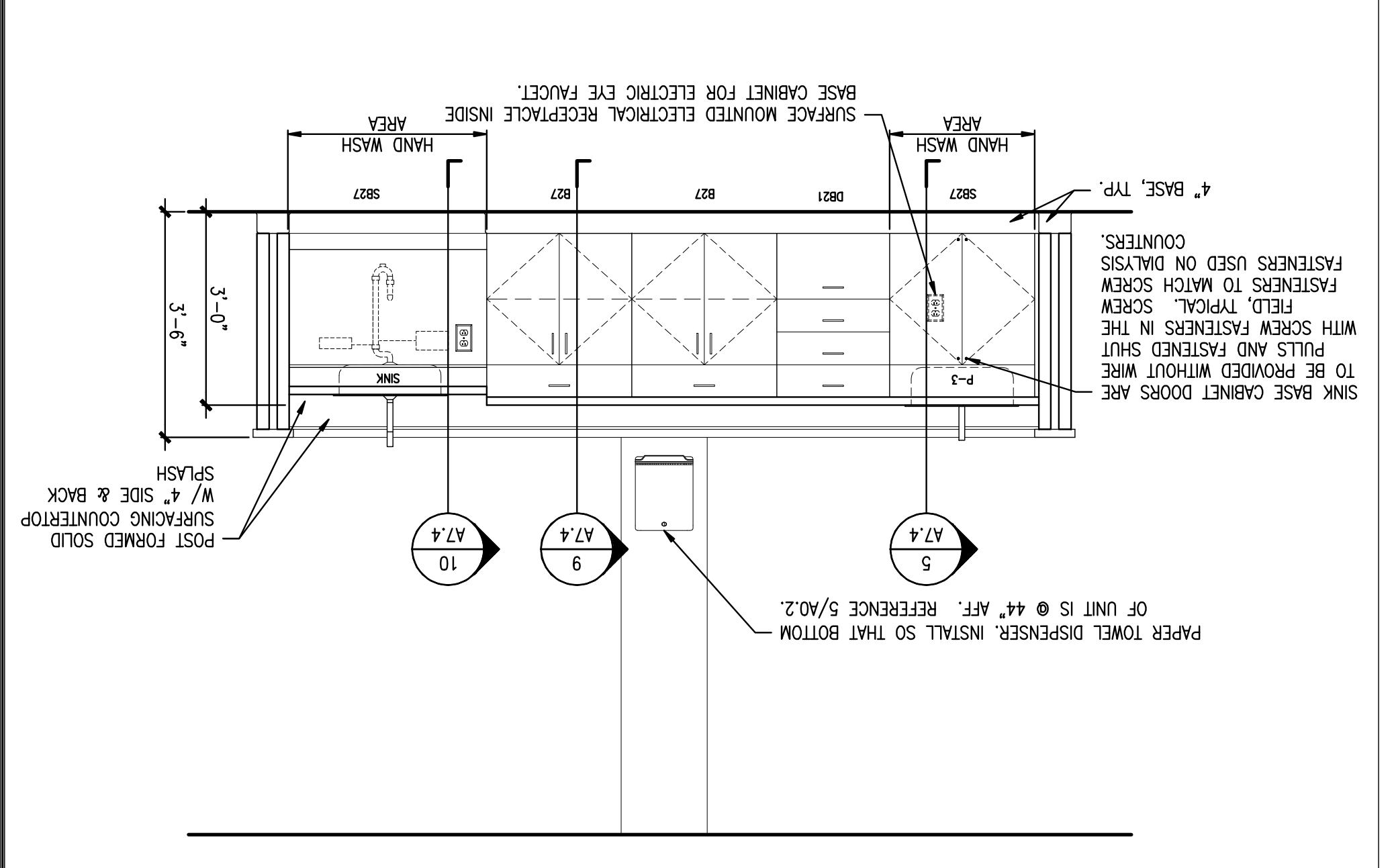
5 CASEWORK ELEVATION @ LAB PREP AREA
 REFERENCED FROM: AD24
 REFERENCE: PRESENUS
 SCALE: 1/2" = 1'-0"



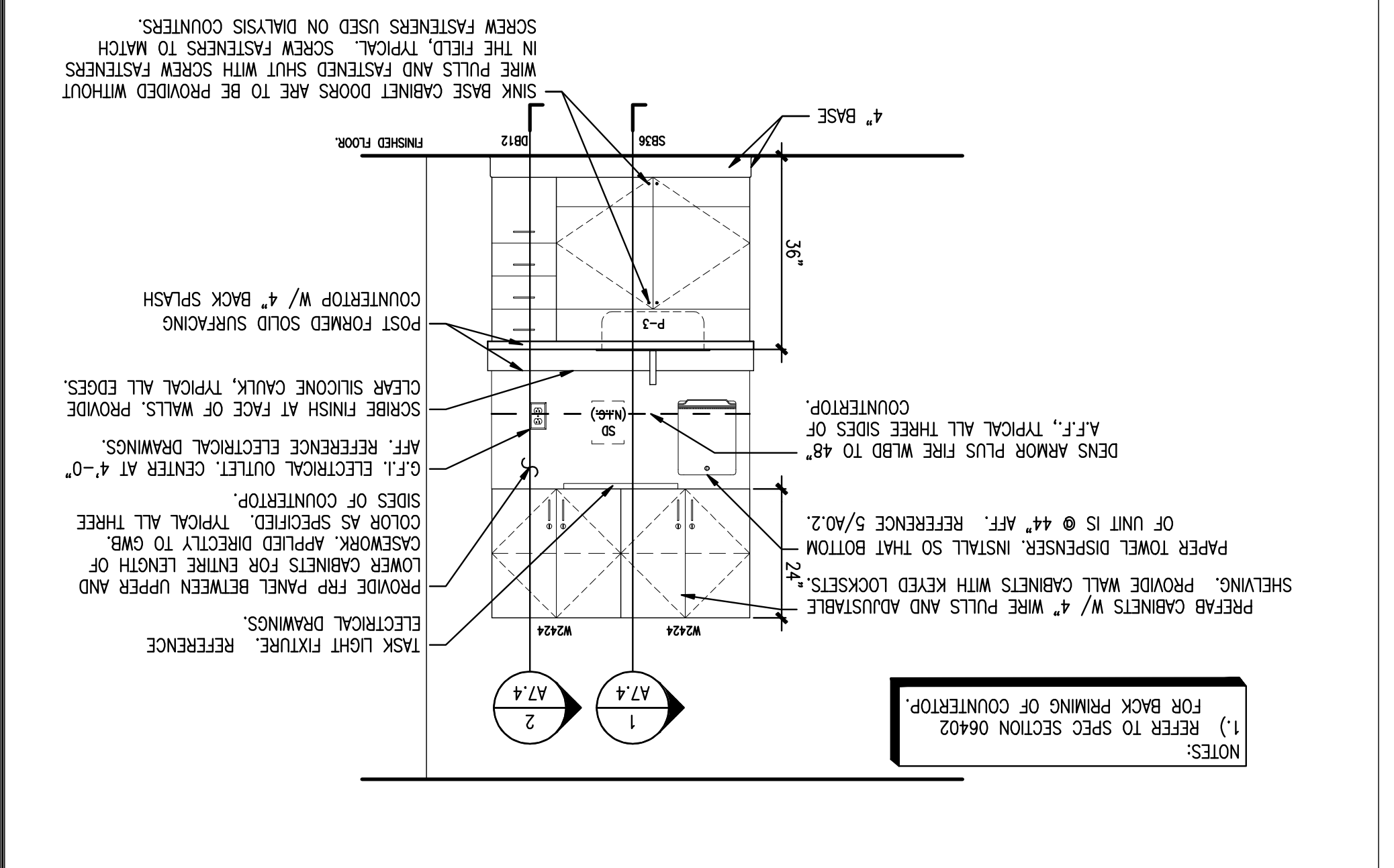
2 INTERIOR ELEVATION @ ELECTRONIC SCALE
 REFERENCED FROM: AD-24
 REFERENCE: PRESENUS
 SCALE: 1/2" = 1'-0"



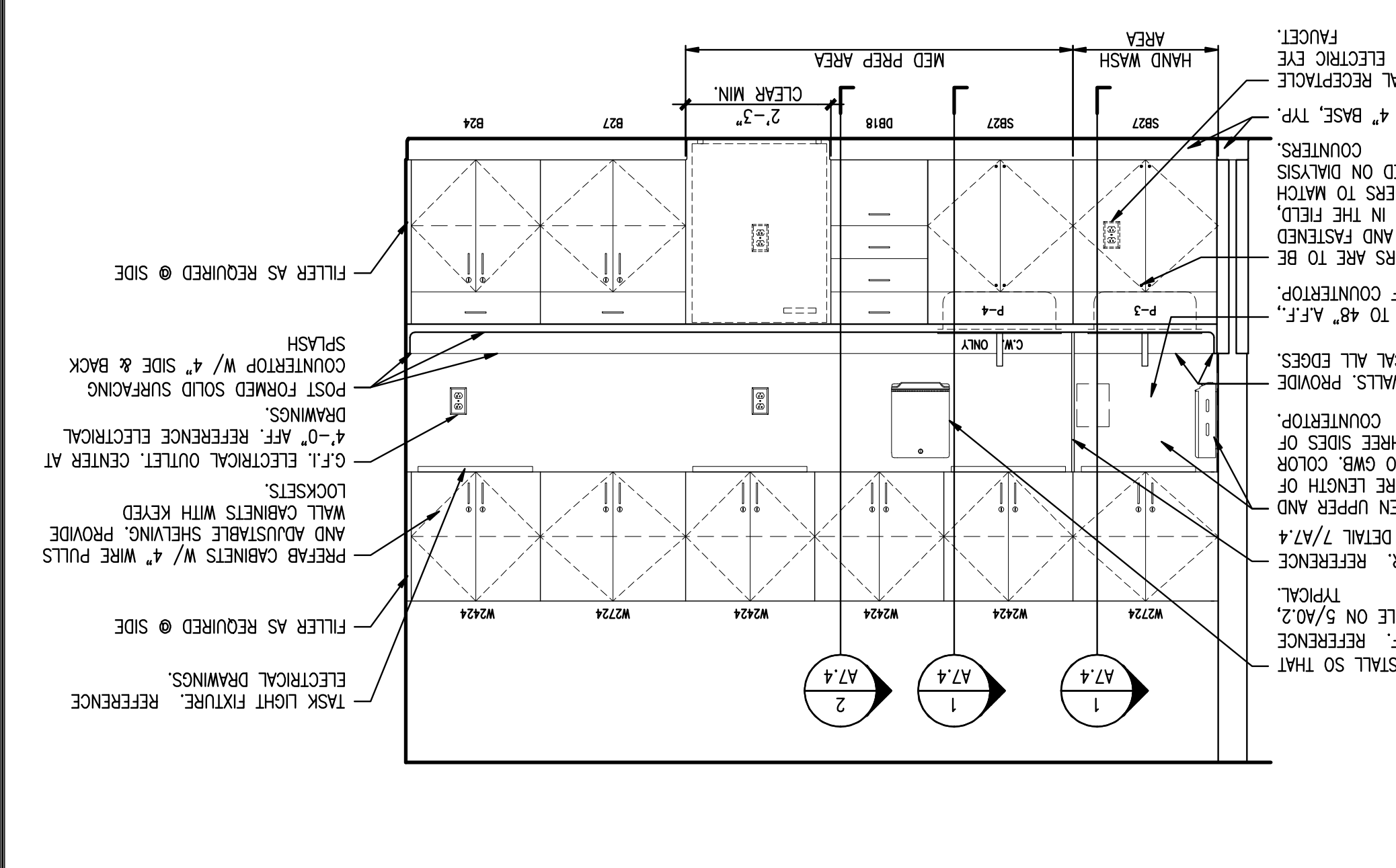
9 CASEWORK ELEVATION @ HAND WASH SINKS
 REFERENCED FROM: A-3
 REFERENCE: PRESENUS
 SCALE: 1/2" = 1'-0"



6 CASEWORK ELEVATION @ ISOLATION STATION
 REFERENCED FROM: A-5
 REFERENCE: PRESENUS
 SCALE: 1/2" = 1'-0"



3 CASEWORK ELEVATION @ MED PREP AREA
 REFERENCED FROM: A-7
 REFERENCE: PRESENUS
 SCALE: 1/2" = 1'-0"



A7.2
 Drawing Number

CASEWORK ELEVATIONS AND MISC. DETAILS
 AS NOTED
 Date: 9/04/2007
 CWS Proj No.: 2006-4471P

REVISIONS

Date:	Description:

PRESENUS MEDICAL SERVICES DIALYSIS NORTH AMERICA
 1236 MAIN STREET
 WALTHAM, MA 02451
 (781) 891-0839
 (781) 891-0830

THE RENOVATIONS TO SOUTHERN MAINE DIALYSIS PORTLAND, MAINE #1190
 1600 CONGRESS STREET
 PORTLAND, MAINE 04101

434 Cumberland Avenue
 Portland, ME 04101
 Phone: (207) 774-4441
 Fax: (207) 774-4016
 www.CWSarch.com

