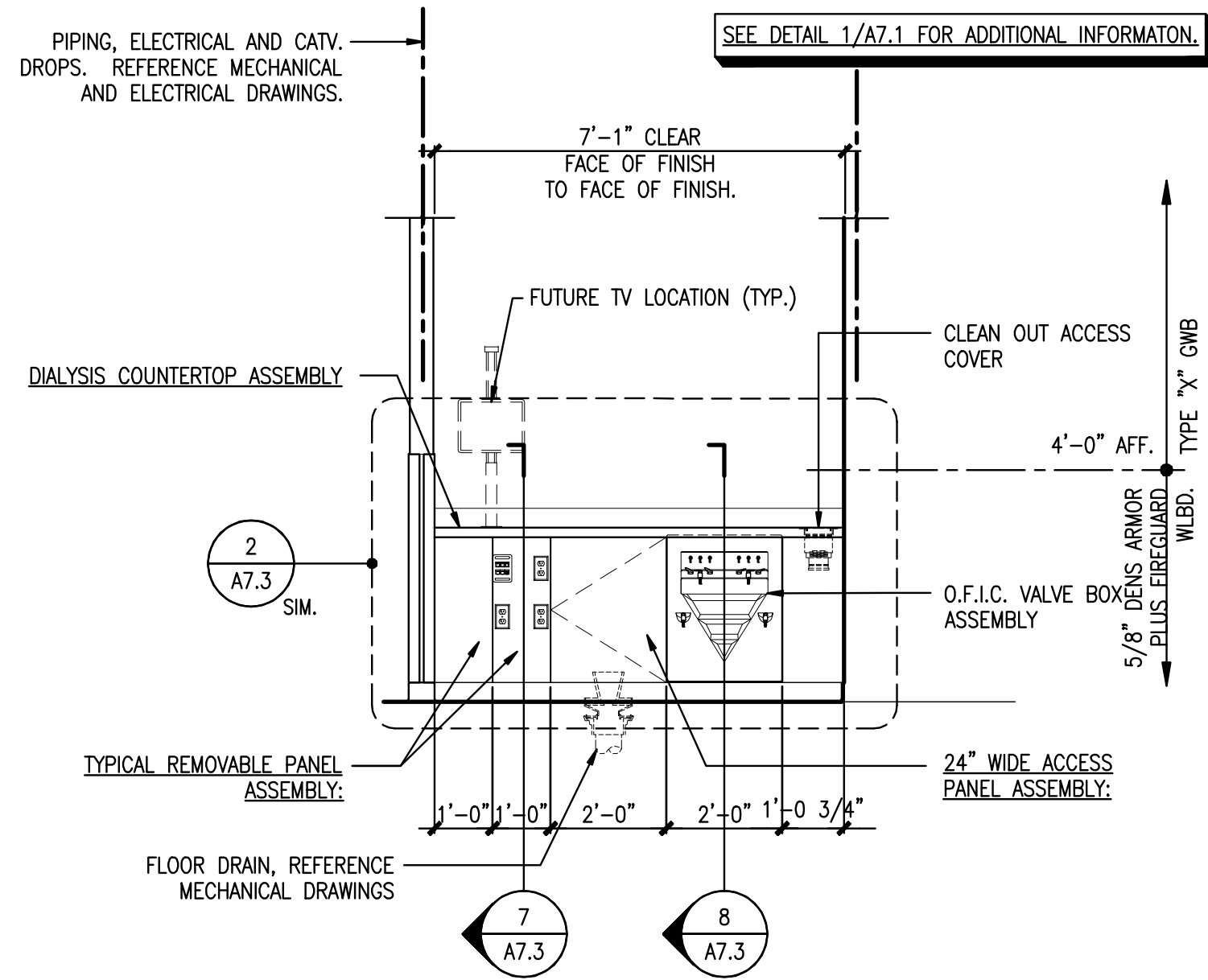
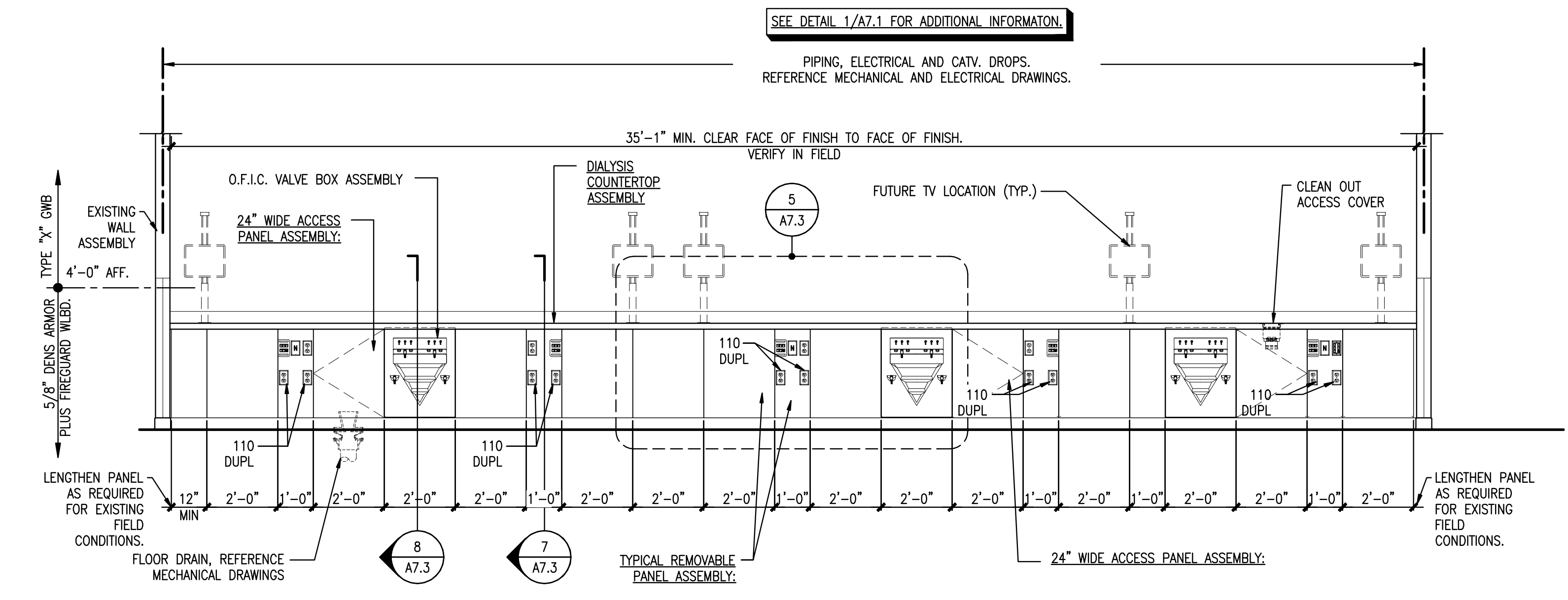


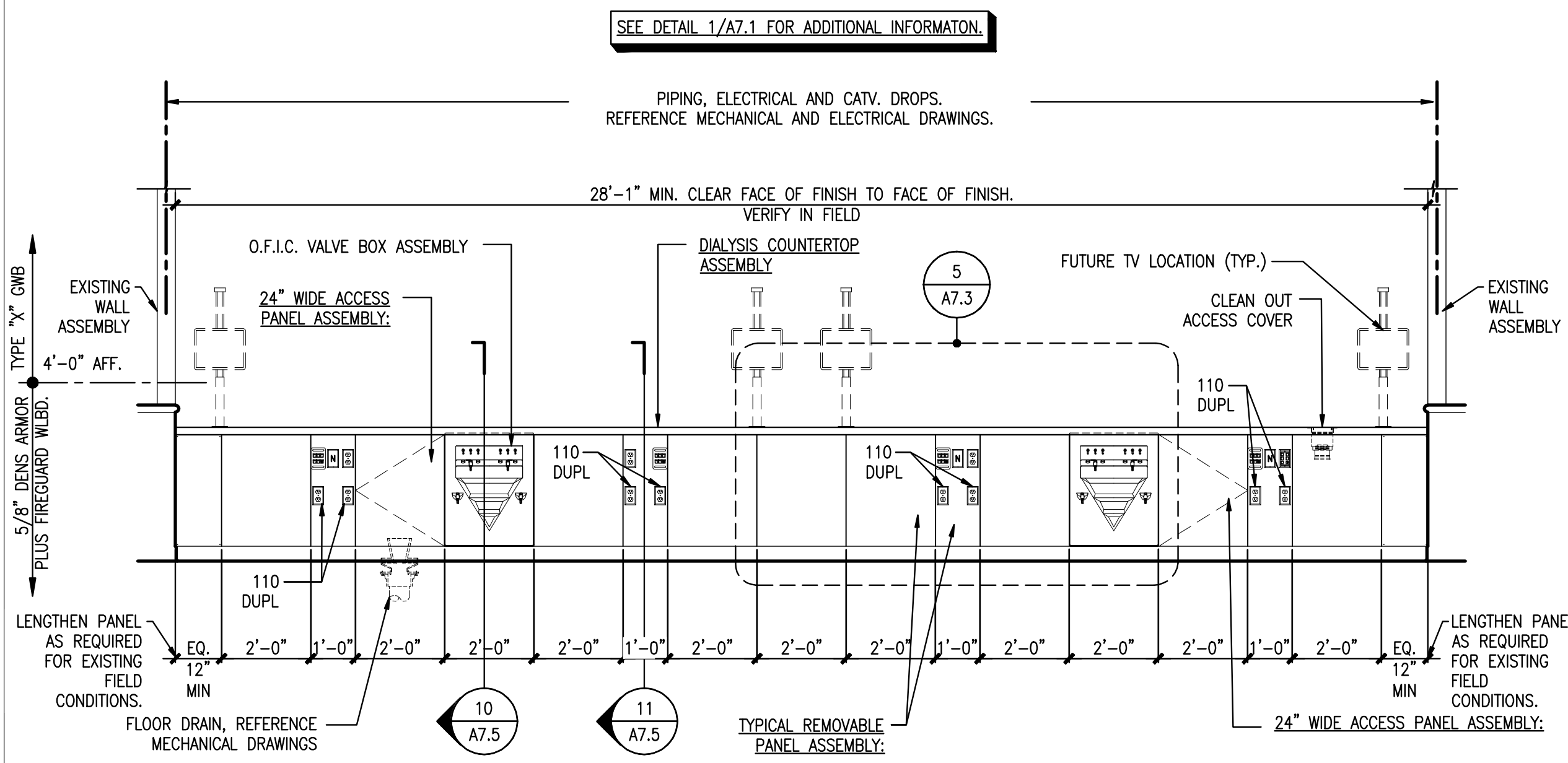
- NOTES:**
- ACCESS PANEL IS TO BE POSITIONED AT INDIRECT WASTE FUNNEL DRAIN AND CLEAN-OUT WITHIN THE DIALYSIS COUNTER. COORDINATE LOCATIONS W/ MECHANICAL DRAWINGS. REFER TO SPECIFICATION SECTIONS 06402 AND 09900 FOR DIALYSIS COUNTER FINISH REQUIREMENTS.
 - ALL TV, DATA & CHAIR SIDE ELECTRICAL RECEPTACLES AND COVER PLATES SHALL BE WHITE.
 - MAXIMUM (6) TV, DATA & CHAIR SIDE ELECTRICAL RECEPTACLES ON A SINGLE 20 AMP CIRCUIT. REFERENCE ELECTRICAL DRAWINGS FOR FURTHER INFORMATION.
 - REFERENCE ELECTRICAL DETAIL E-37B FOR INFORMATION PERTAINING TO TV-DATA JACK INFORMATION & TYPES.



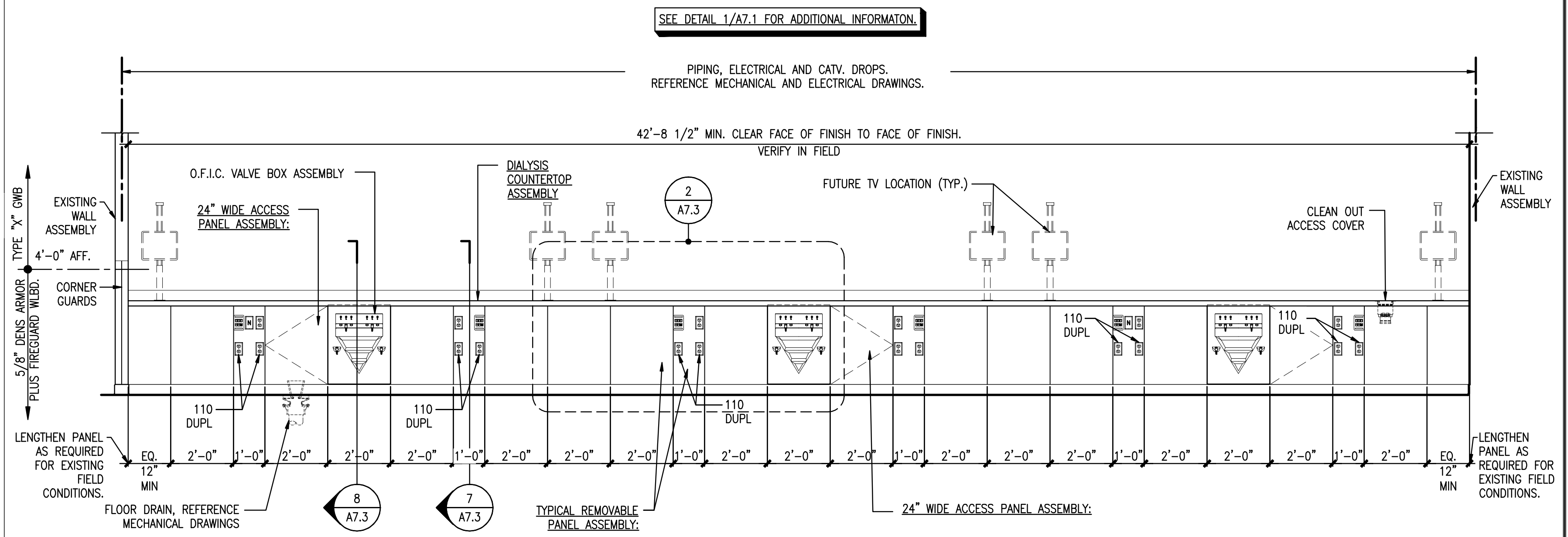
2 ELEV. @ ISOLATION DIALYSIS COUNTER
 REFERENCED FROM: A.I.1 SCALE: 3/8" = 1'-0"
 FRESenius REFERENCE: AD-27



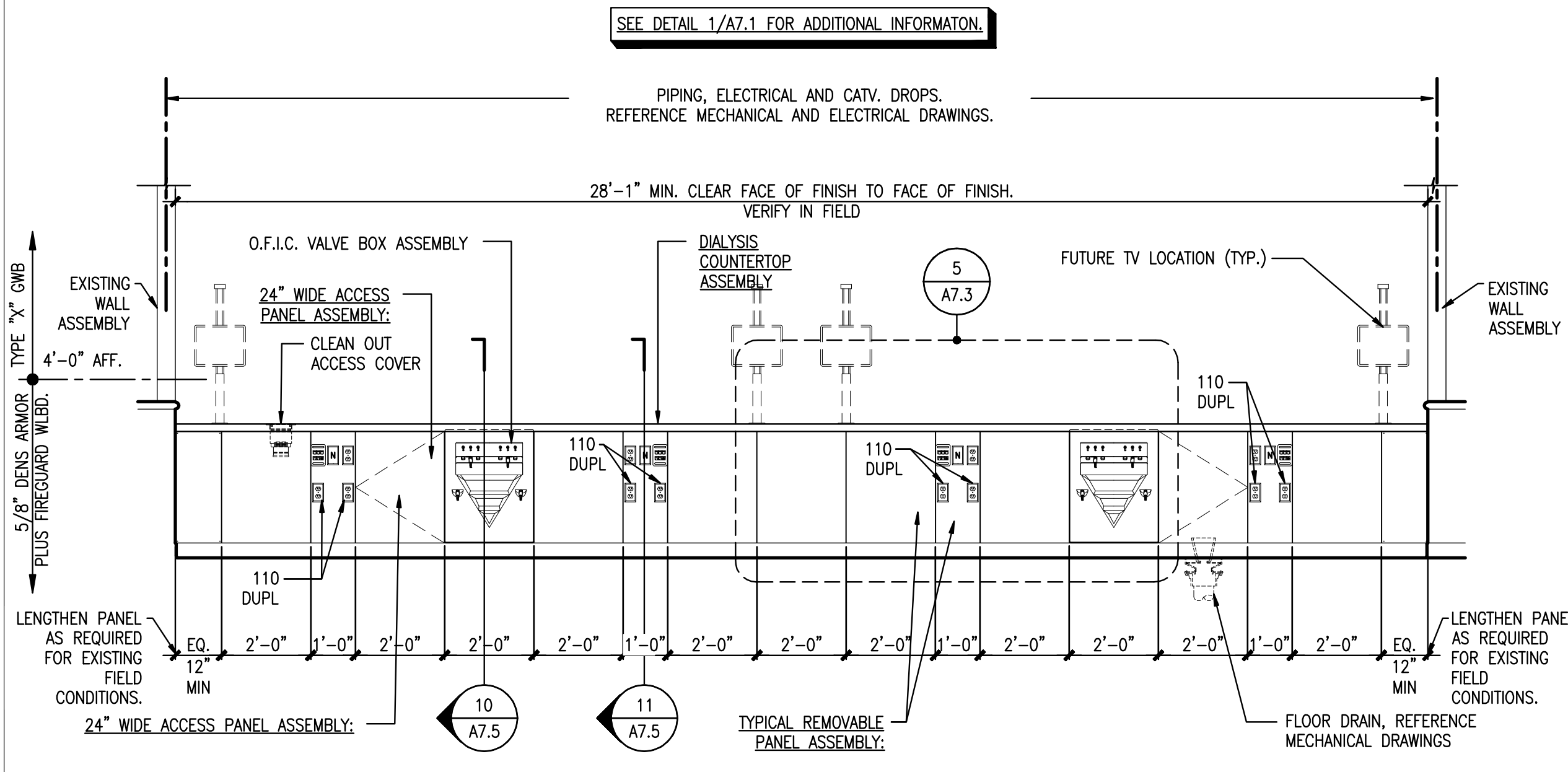
3 ELEVATION @ DIALYSIS COUNTER
 REFERENCED FROM: A.I.1 SCALE: 3/8" = 1'-0"
 FRESenius REFERENCE: A-27



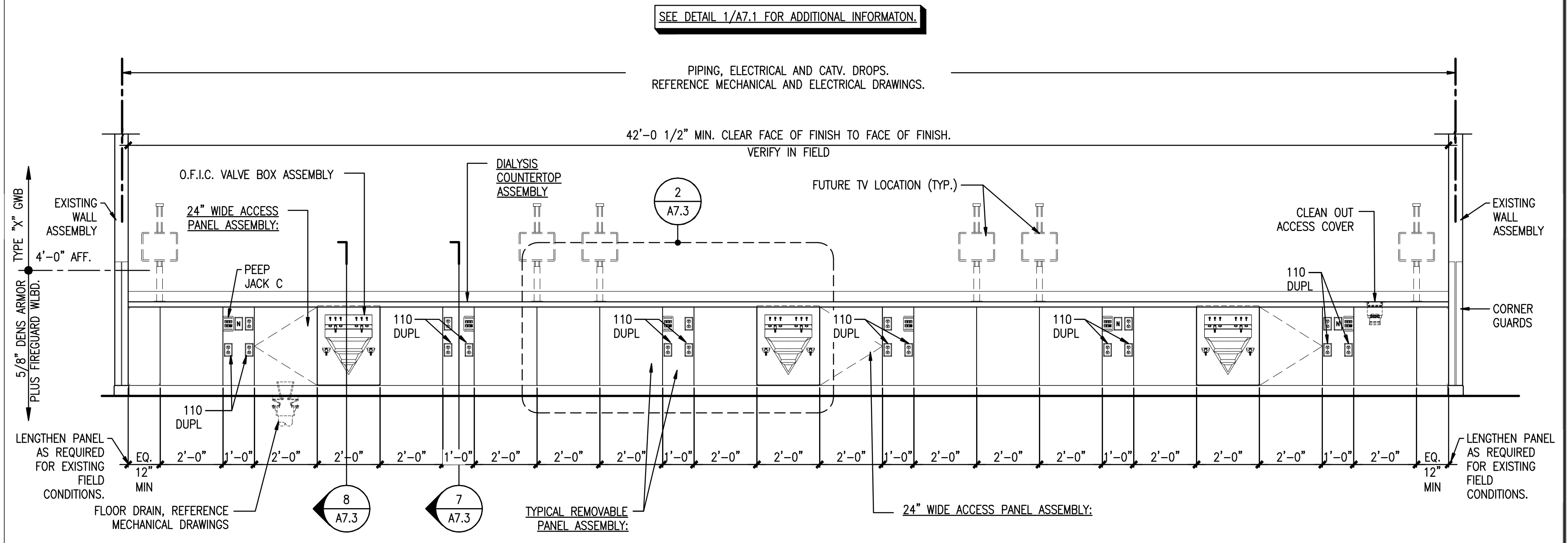
4 ELEVATION @ DIALYSIS ISLAND COUNTER
 REFERENCED FROM: A.I.1 SCALE: 3/8" = 1'-0"
 FRESenius REFERENCE: A-27



5 ELEVATION @ DIALYSIS COUNTER
 REFERENCED FROM: A.I.1 SCALE: 3/8" = 1'-0"
 FRESenius REFERENCE: A-27



7 ELEVATION @ DIALYSIS ISLAND COUNTER
 REFERENCED FROM: A.I.1 SCALE: 3/8" = 1'-0"
 FRESenius REFERENCE: A-27



8 ELEVATION @ DIALYSIS COUNTER
 REFERENCED FROM: A.I.1 SCALE: 3/8" = 1'-0"
 FRESenius REFERENCE: A-27

CWS Architects
 434 Cumberland Avenue
 Portland, ME 04101
 Phone: (207) 774-4441
 Fax: (207) 774-4016
 www.CWSarch.com

THE RENOVATIONS TO
 SOUTHERN MAINE DIALYSIS
 PORTLAND, MAINE #190
 1600 CONGRESS STREET
 PORTLAND, MAINE 04101

Owner:
 FRESenius
 MEDICAL SERVICES
 DIALYSIS SERVICES
 NORTH AMERICA
 1256 MAIN STREET
 WALTHAM, MA 02451
 (781) 891-0829
 (781) 891-0830

REVISIONS:

Date:	Description:

Drawing Title:
DIALYSIS COUNTER ELEVATIONS

Scale:
 AS NOTED

Date:
 9/04/2007

CWS Proj. No.: 2006-447-1pt

Drawing Number:
A7.1