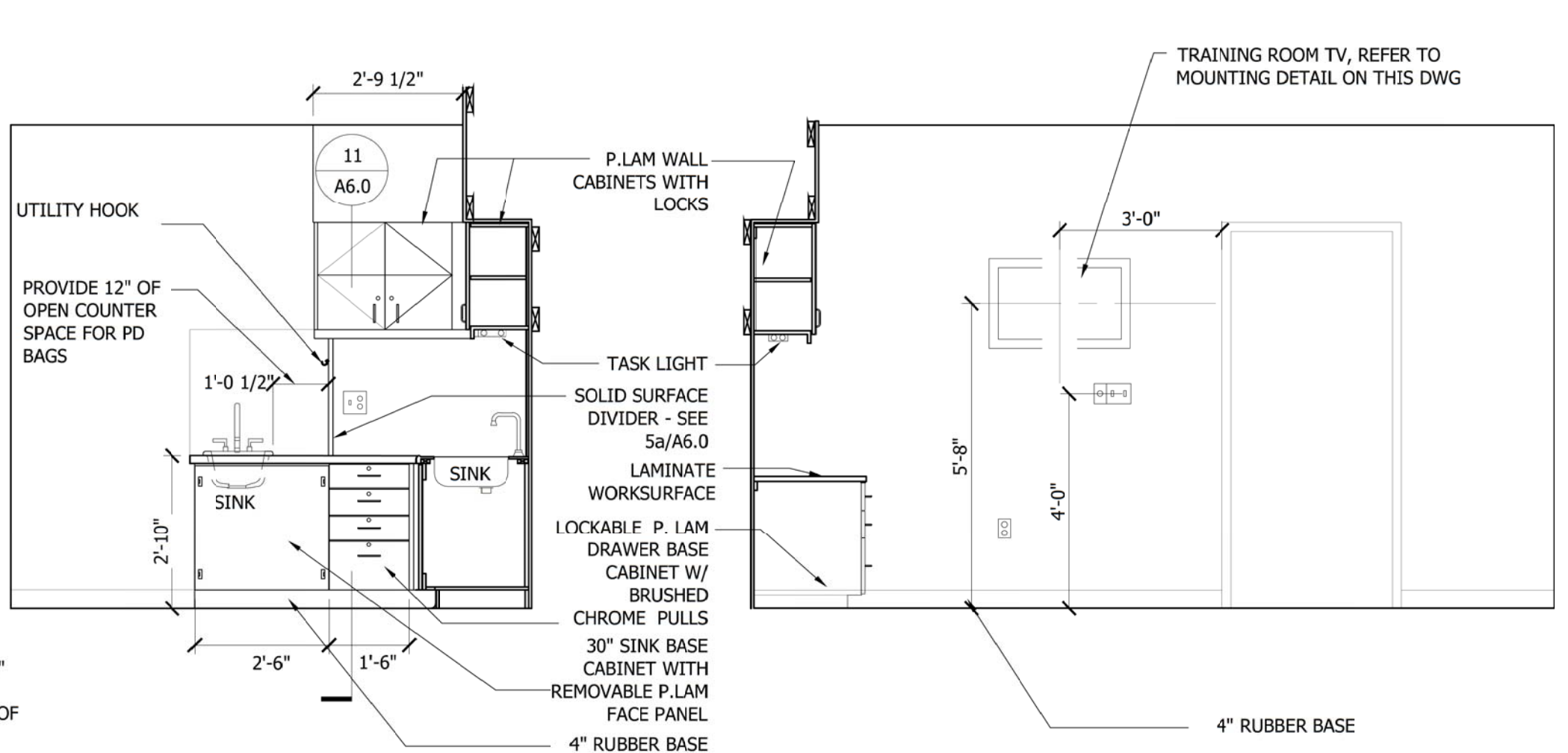
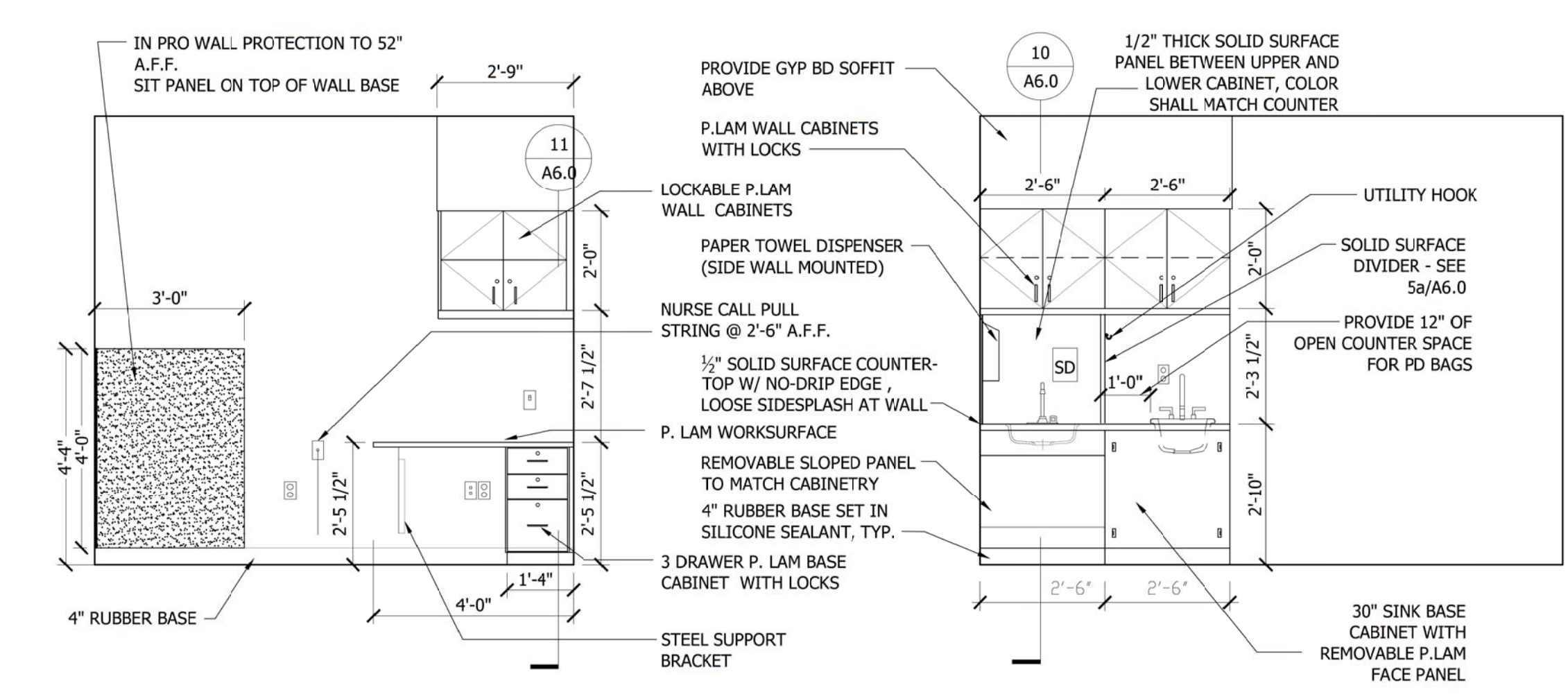


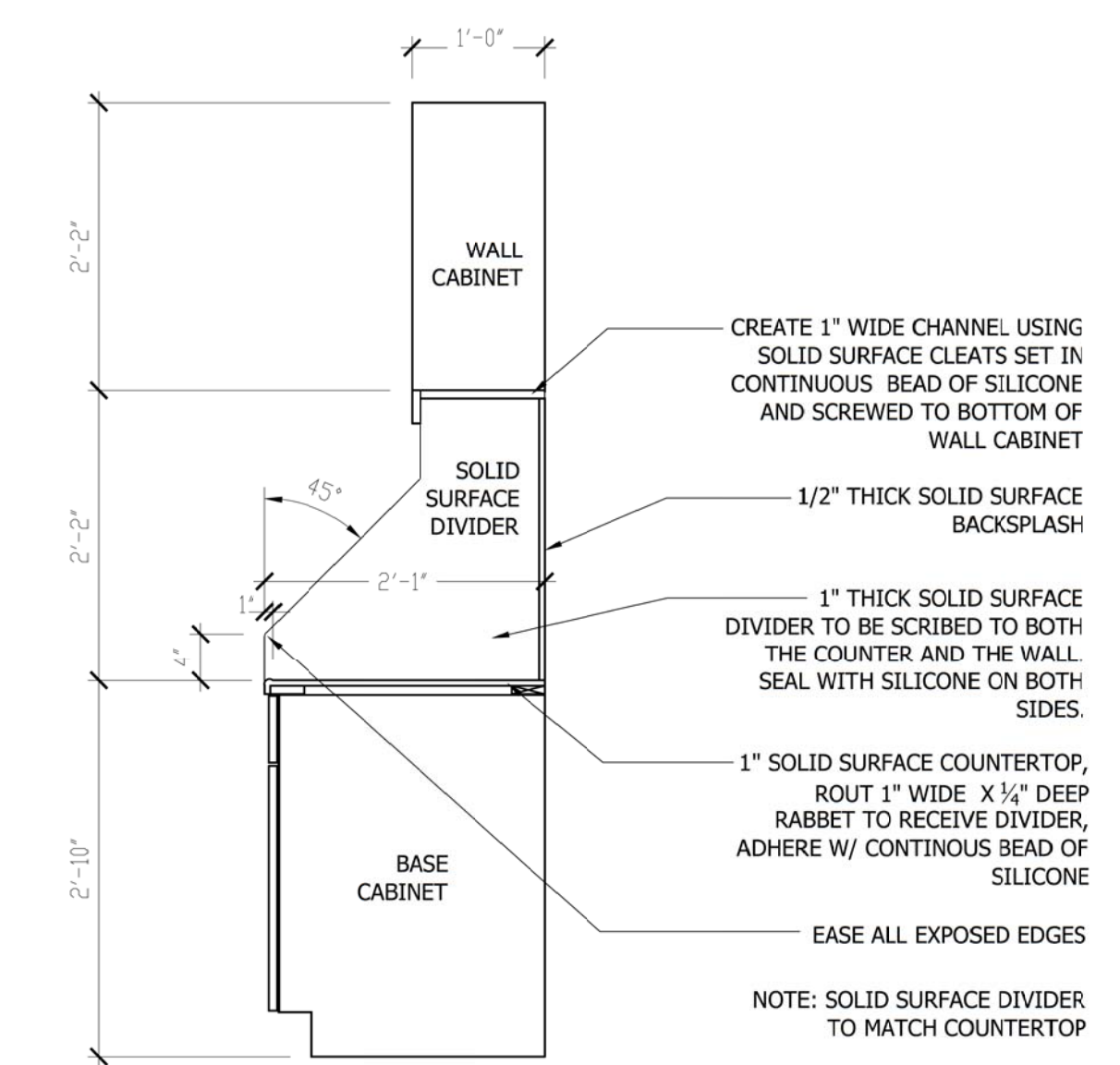
01 HOME HEMO TRAINING 128  
SCALE: 3/8" = 1'-0"



02 HOME HEMO TRAINING 128  
SCALE: 3/8" = 1'-0"



03 HOME HEMO TRAINING 128  
SCALE: 3/8" = 1'-0"

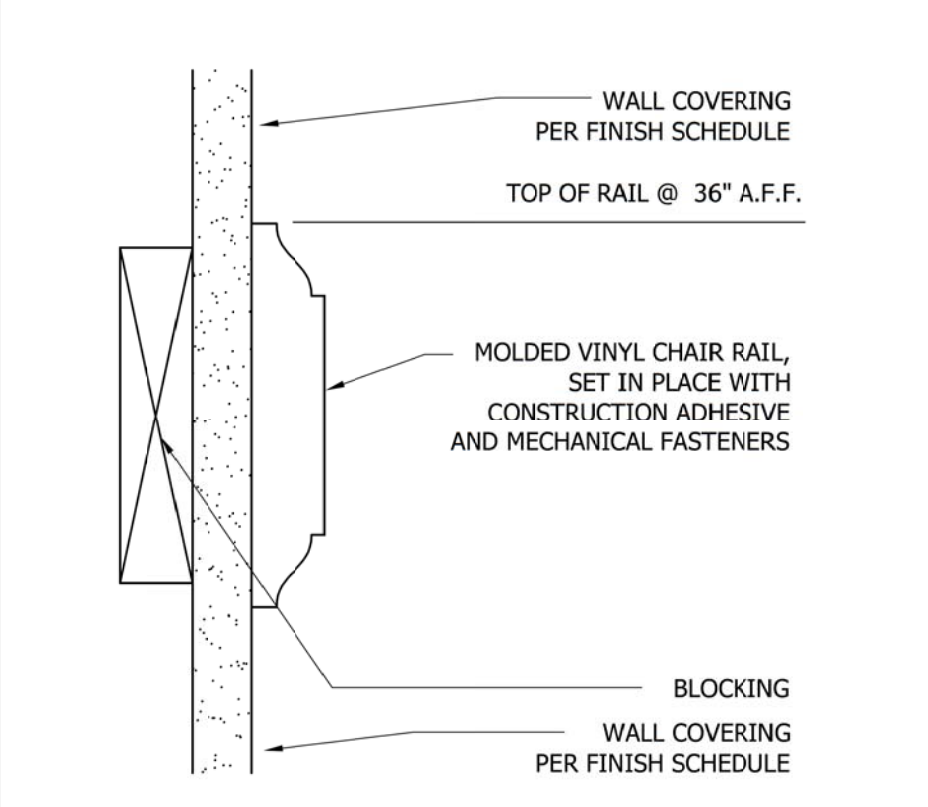


04 HOME HEMO TRAINING 128  
SCALE: 3/8" = 1'-0"

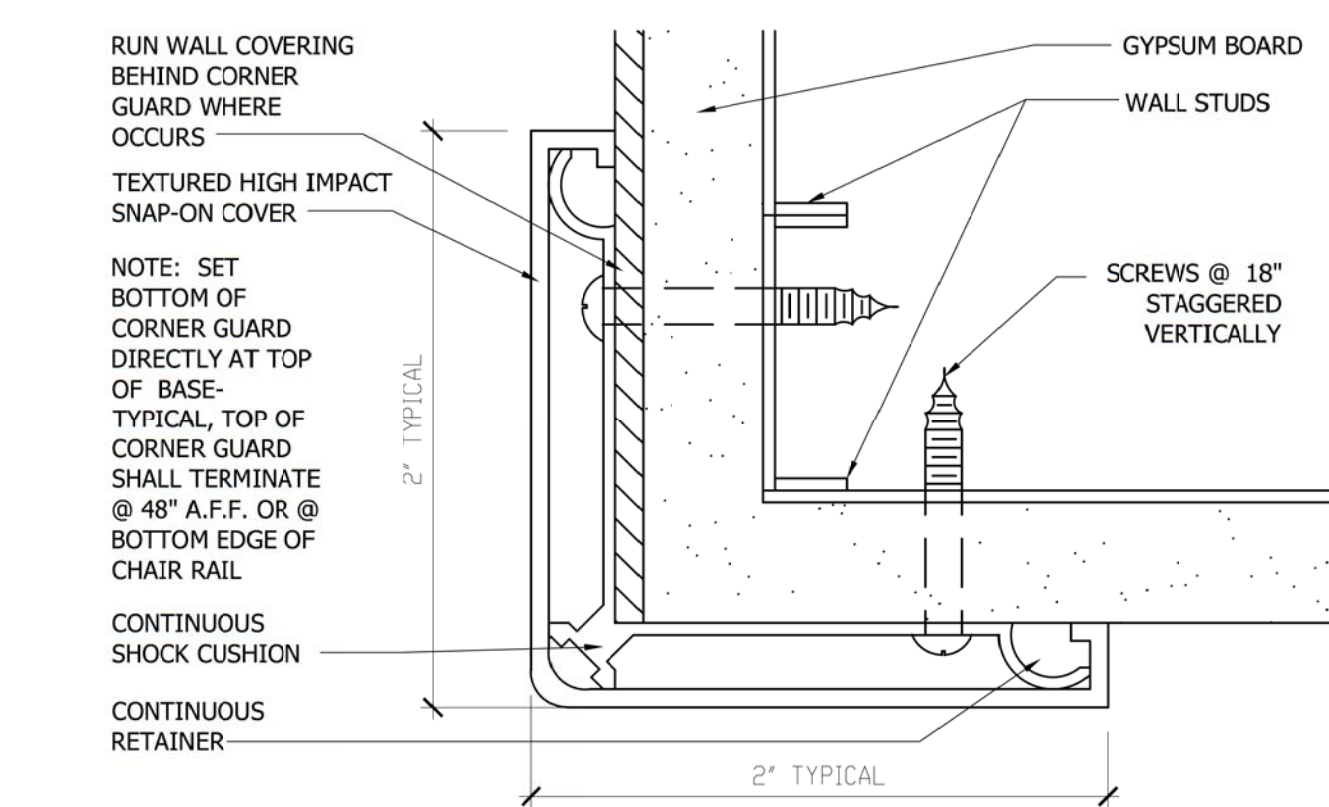


05 DOC/EXAM ROOM 126  
SCALE: 3/8" = 1'-0"

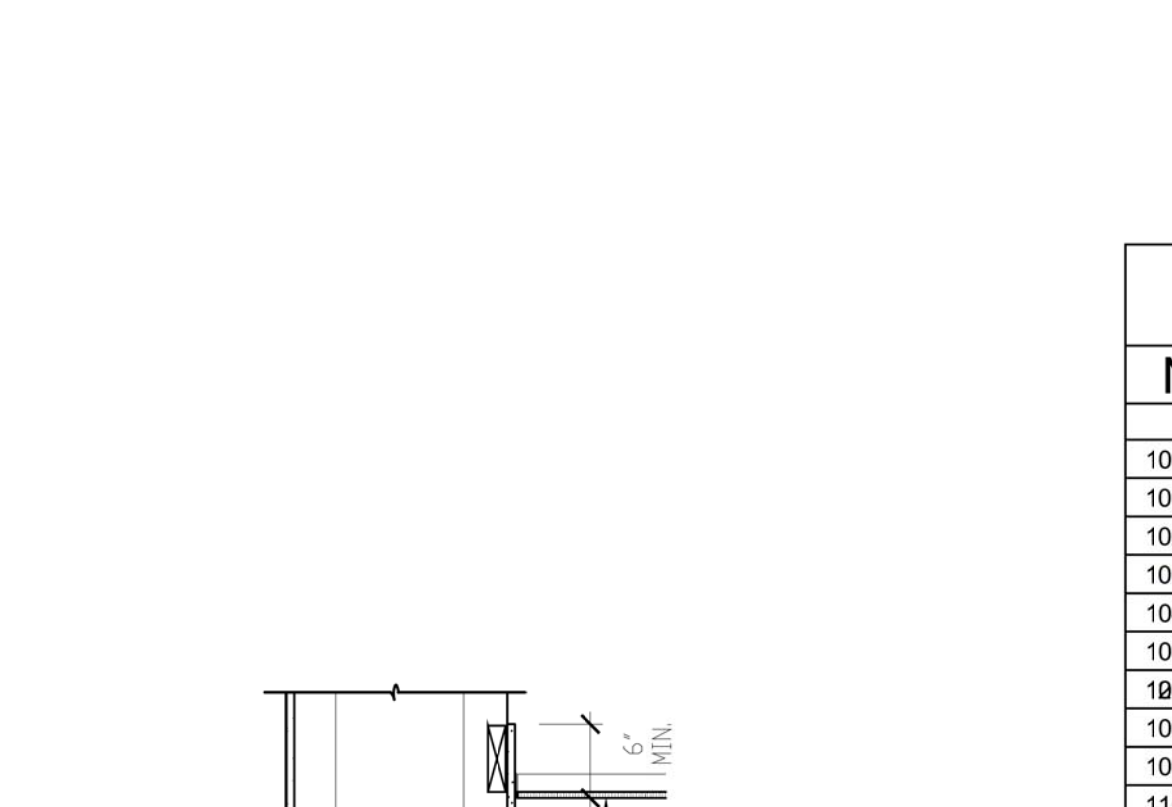
5a SOLID SURFACE SINK DIVIDER  
SCALE: 3/4" = 1'-0"



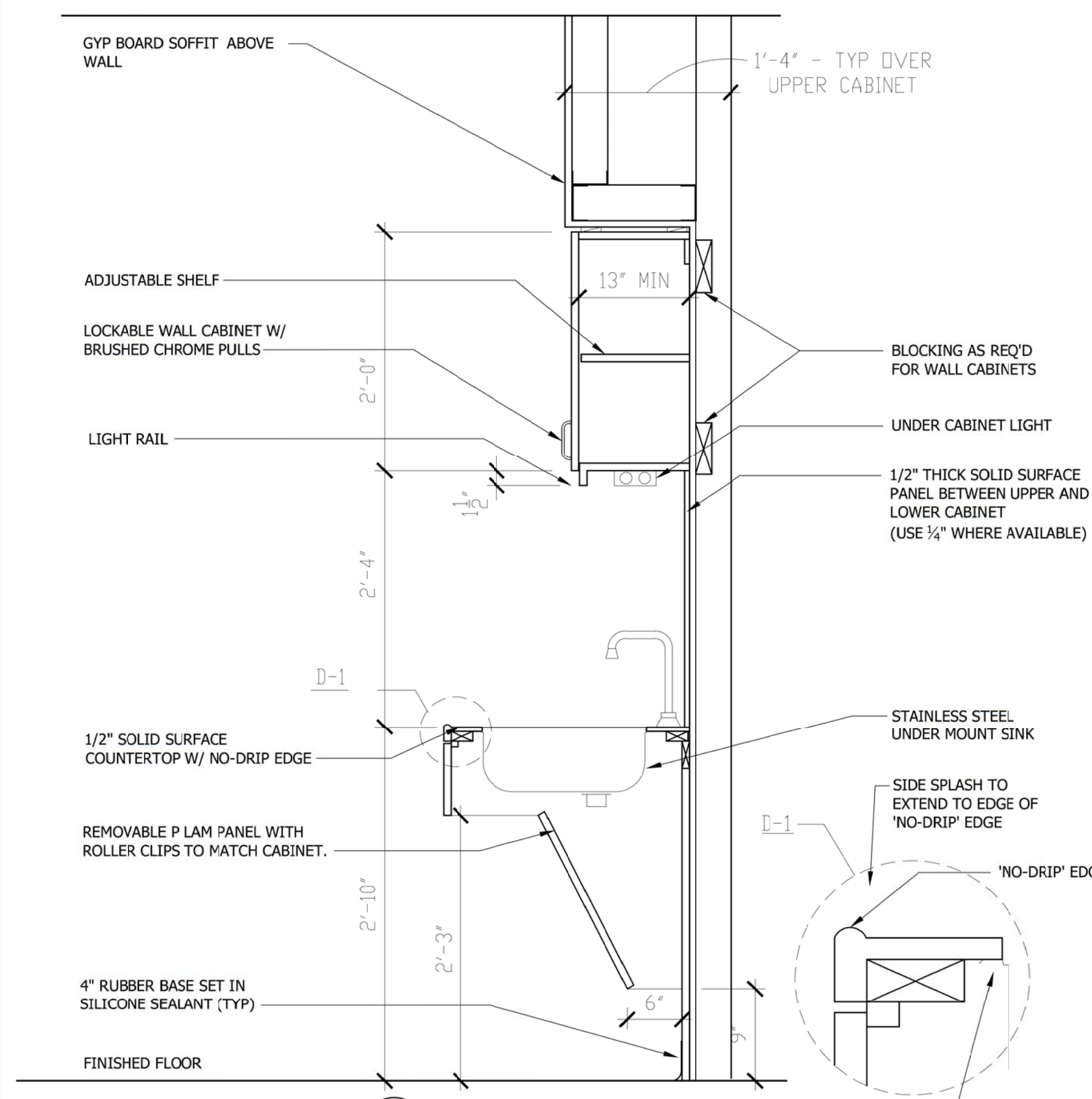
6 CHAIR RAIL DETAIL  
SCALE: 1/2" = 1'-0"



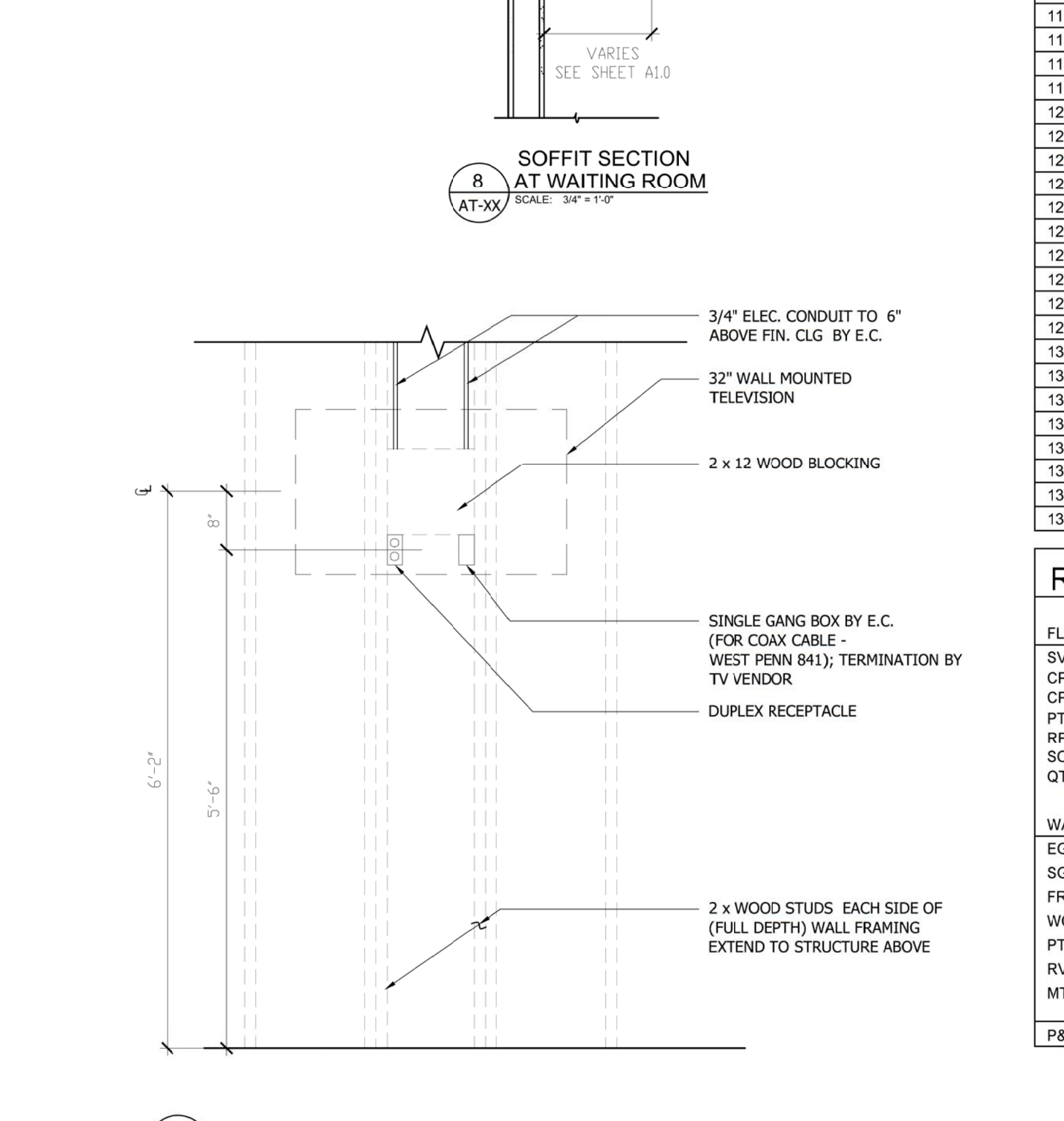
7 CORNER GUARD DETAIL  
SCALE: 1/2" = 1'-0"



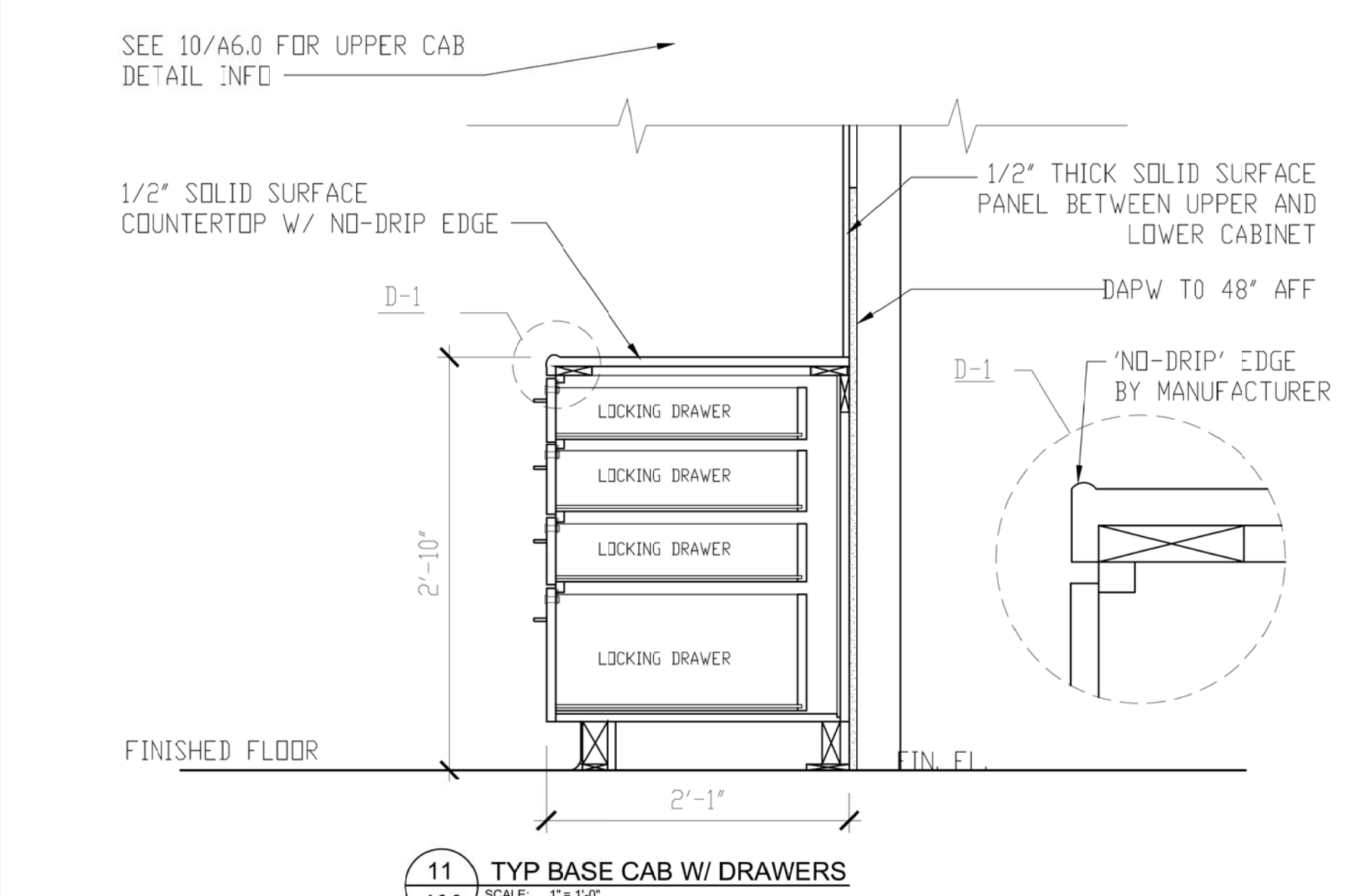
8 SOFFIT SECTION AT WAITING ROOM  
SCALE: 3/4" = 1'-0"



10 SINK BASE CABINET SECTION  
SCALE: 1" = 1'-0"



9 HOME TRAINING ROOM TV WALL MOUNT DETAIL  
SCALE: 3/4" = 1'-0"



11 TYP BASE CAB W/ DRAWERS  
SCALE: 1" = 1'-0"

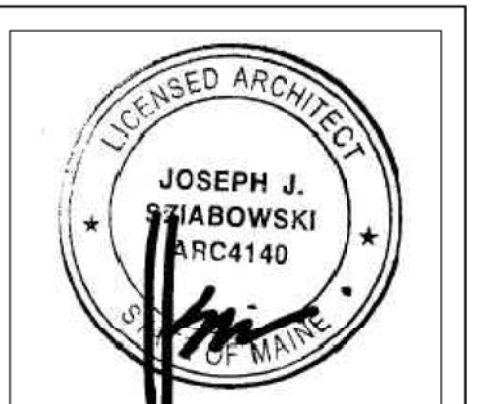
ROOM FINISH SCHEDULE						
NO	ROOM NAME	FLOOR	BASE	WALLS	CEILING	REMARKS
100	SDS/GRANFULO	ETR	ETR	ETR	ETR	
101	MEDICAL WASTE	ETR	ETR	ETR	ETR	
102	STORAGE	ETR	ETR	ETR	ETR	
103	FMC CORRIDOR	ETR	RUB	EGG	ETR	
104	TECH REPAIR	ETR	ETR	EGG	ETR	
105	STORAGE	ETR	ETR	ETR	ETR	
106	CONFERENCE ROOM	ETR	ETR	EGG	ETR	
107	MEDICAL RECORDS	ETR	ETR	EGG	ETR	
108	DIRECTOR OF NURSING	ETR	ETR	EGG	ETR	
110	CORRIDOR	ETR	RUB	EGG	ETR	
111	STAFF LOUNGE	ETR	ETR	EGG	ETR	
112	STAFF LOCKERS	ETR	ETR	EGG	ETR	
113	STAFF SHOWER	ETR	ETR	EGG	ETR	
114	NURSE COORDINATOR	ETR	ETR	EGG	ETR	
115	JANITOR	ETR	ETR	ETR	ETR	
116	SOIL UTILITY	ETR	ETR	EGG	ETR	
117	CORRIDOR	ETR	RUB	EGG	ETR	
118	TREATMENT ROOM	ETR	ETR	EGG	ETR	
119	RECEPTION	ETR	RUB	EGG/RVP	ACT	ADD CHAIR RAIL AT 34" AFF TO TOP OF CHAIR RAIL.
120	COPIER	ETR	RUB	EGG	ETR	
121	WHEELCHAIR/ COATS ALCOVE	ETR	RUB	EGG/RVP	ACT	
122	STAFF TOILET	ETR	ETR	EGG	ETR	
123	STAFF TOILET	ETR	ETR	EGG	ETR	
124	PAT. TOILET	ETR	ETR	EGG	ETR	
125	PAT. TOILET	ETR	ETR	EGG	ETR	
126	DR/ EXAM ROOM	ETR	ETR	EGG/RVP	ETR	PF-1/PA-1
127	MEDICAL DIRECTOR	CPT-1	RUB	EGG	ACT	PF-1/PA-2
128	HOME HEMO ROOM	SHT-V	RUB	EGG/ RVP	ACT	PF-1/PA-1
129	CORRIDOR	ETR	RUB	EGG	ETR	
130	WAITING ROOM	ETR	RUB	EGG/ WC-1/ WC-2	ACT/GWB	ADD MOLDED VINYL CHAIR RAIL AT 36" AFF TO TOP OF CHAIR RAIL.
131	VESTIBULE	CPT	RB	EGG/ WC-1/ WC-2	ETR	
132	LOCKER ROOM	ETR	SHT-V	EGG	ETR	PF-1/PA-1 --- ADD CHAIR RAIL AT 34" AFF TO TOP OF CHAIR RAIL.
133	HOME HEMO ROOM	ETR	ETR	EGG/ RVP	ETR	
134	PD OFFICE	ETR	ETR	EGG	ETR	
135	PD STORAGE	SHT-V	ETR	ETR	ETR	
136	WIRING CLOSET	ETR	ETR	ETR	ETR	
137	WATER TREATMENT ROOM	ETR	ETR	ETR	ETR	

ROOM FINISH LEGEND	
<b>FLOOR</b>	<b>BASE</b>
SV1 SHEET VINYL CARPET	RB RUBBER BASE
CPT-1 WALK-OFF CARPET	RF COVERED RESINOUS FLOORING
PT PORCELAIN TILE	QT COVERED QUARRY TILE
RF RESINOUS FLOORING OVER PREPARED CONCRETE SLAB	SV INTEGRAL COVERED SHEET VINYL BASE
SC SEALED CONCRETE	
QT QUARRY TILE	
<b>WALLS</b>	<b>CEILING</b>
EGG EGGSHELL PAINT	ACT ACCOUSTICAL TILE CEILING
SG SEMI GLOSS PAINT	VACT VINYL ACCOUSTICAL TILE CEILING
FRP FIBERGLASS REINFORCED POLYESTER	GWB GYPSUM WALL BOARD
WC WALL COVERING	DAPW 5/8" DENS ARMOR PLUS GYPSUM WALLBOARD
PT PORCELAIN TILE	DFP DRY FOG PAINT, BENJAMIN MOORE OC-121, MOUNTAIN PEAK WHITE
RVP IN PRO WALL PROTECTION PANEL	OTS OPEN TO STRUCTURE
MT MOSAIC GLASS TILE	
<b>P&amp;M</b>	
P&M PATCH AND MATCH EXISTING IN ALL RESPECTS	

- FINISH NOTES:**
- FINISH SELECTION PER FMC RAINFOREST SCHEME
  - REPLACE OLD "GRIDDED" CEILING TILES WITH TILES TO MATCH NEWER EXISTING TILES. CONTRACTOR SHALL INSPECT EXISTING CEILING PRIOR TO SUBMITTING BID AND PROVIDE SCHEDULE OF ROOMS WITH NUMBER OF CEILING TILES TO BE REPLACED IN EACH FOR OWNER'S APPROVAL.
  - PAINT WALLS THROUGHOUT EXCEPT UTILITY AND STORAGE ROOMS.
  - REMOVE EXISTING BASE WHERE NEW BASE IS SCHEDULED. USE CARE TO AVOID DAMAGING GWB.
  - CONTRACTOR TO INSPECT FLOORS AT DOOR FRAMES THROUGHOUT AND SEAL ALL GAPS
  - PAINT ALL DOOR FRAMES & OTHER PAINTED TRIM IN AREAS WHERE WALLS ARE BEING PAINTED

MATERIALS AND COLOR SELECTION											
<b>PAINT</b> BENJAMIN MOORE				<b>WALL COVERING</b> WOLF GORDON		<b>FRP</b> KEMLITE	<b>WALL PROTECTION</b> INPRO CORPORATION	<b>CORNER GUARDS</b> IPC		<b>PLASTIC LAMINATE</b> WILSONART	
WALLS	ALL DOOR/WINDOW FRAMES	ACCENT COLOR	ACCENT COLOR	ABOVE CHAIR RAIL IN WAITING ROOM	BELOW CHAIR RAIL IN WAITING ROOM	83 COLONIAL WHITE	MAIN	WAITING ROOM	MAIN	WAITING ROOM	COUNTERTOPS (ALL DRY WORK SURFACES, NURSES STATION)
PF-1	PF-2	PA-1	PA-2	WC-1	WC-2		ANTIQUE WHITE (C104 (RVP-F))	BEIGE 0117 (RVP-WR)	CHINO 0258 (CG-F)	River Rock 0351 (CC-WR)	PL-1 CANYON ZEPHYR 4842-60
HC-172 Revere Pewter	2108-10 FERRET BROWN	504 NATURES REFLECTION	1539 ROOSEVELT TAUPPE	Symphony, Code A23202/CA Celadon Green G 489519	Textural - Shannon Oak SAJ 4670 G 476833						PL-2 7054-60 WILD CHERRY
											PL-3
											VERTICAL CHANGES (TREATMENT ROOM)
											WILSONART (BMC COUNTERS & WINDOW SILLS)
											Cashmere Mirage9135 MG
											HUNTER DOUGLAS FABRICATION
											M Screen 8505 Openness Favor of 5% Color - White/ Linen
											PENCO
											073 CHAMPAGNE
											QUARRY TILE
											DALTILE
											FLOOR
											PRISM
											FLOOR
											CEG 2000 #809 MED GRAY
											GROUT
											PRISM
											FLOOR
											CEG 2000 #809 MED GRAY

DATE	REVISION DESCRIPTION	ADDENDUM #	REVISIONS	PERMIT SET
01/13/15				
07/25/15				
1				
2				



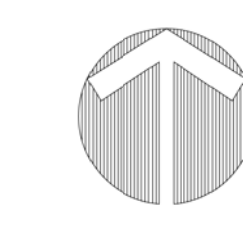
Joseph J. Szabowski  
47 River Street, Suite 200  
Wellesley, Massachusetts  
02481  
Phone 781-235-5339  
Fax 781-235-5320

Proposed Renovations @ Dialysis Clinic for:  
**FMC - Portland**  
FMC Location # 1190  
1600 Congress Street  
Portland, ME



Drafted By: SP/MWB  
Checked By: JJS  
Date Drawn: 11/10/14  
Project #: 14.34

**A6.0**  
Sheet Number



**ELEV'S, SCHED'S, DETL'S**  
SCALE: AS SHOWN