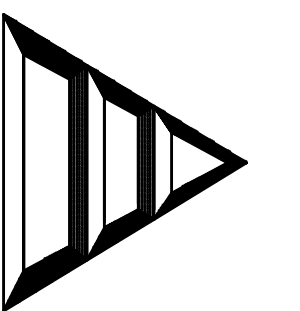


CWS  
Architects

434 Cumberland Avenue  
Portland, ME 04101  
Phone: (207) 774-4441  
Fax: (207) 774-4016  
www.CW5arch.com

Dialysis Clinic Fit-up:  
**SOUTHERN MAINE DIALYSIS**  
 # 1190  
 1600 CONGRESS STREET  
 PORTLAND, MAINE 04102



Drafted By: CWS ARCH

Checked By: CWS - GTL

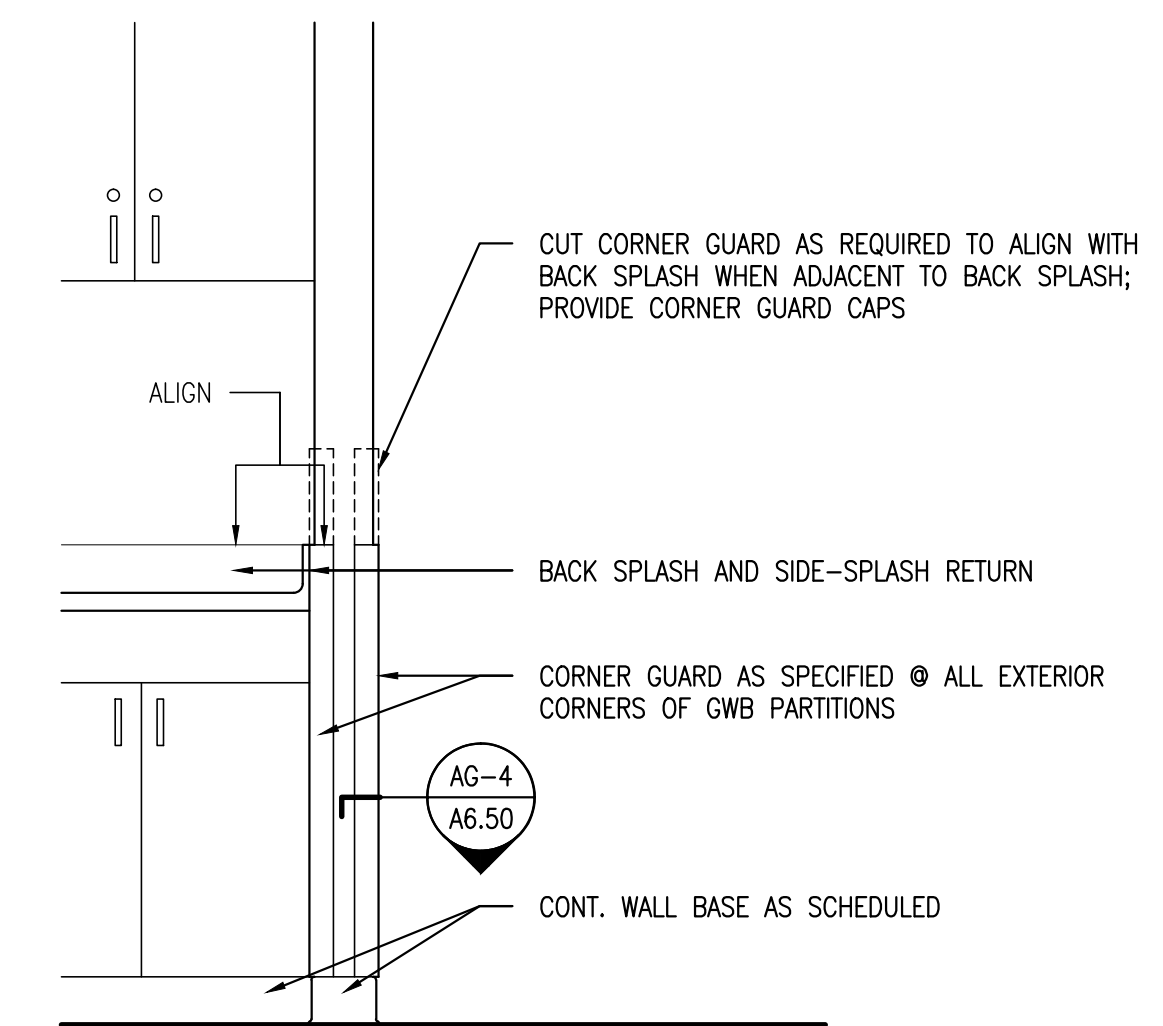
Date Drawn: 03/06/12

Project #: CWS# 11418

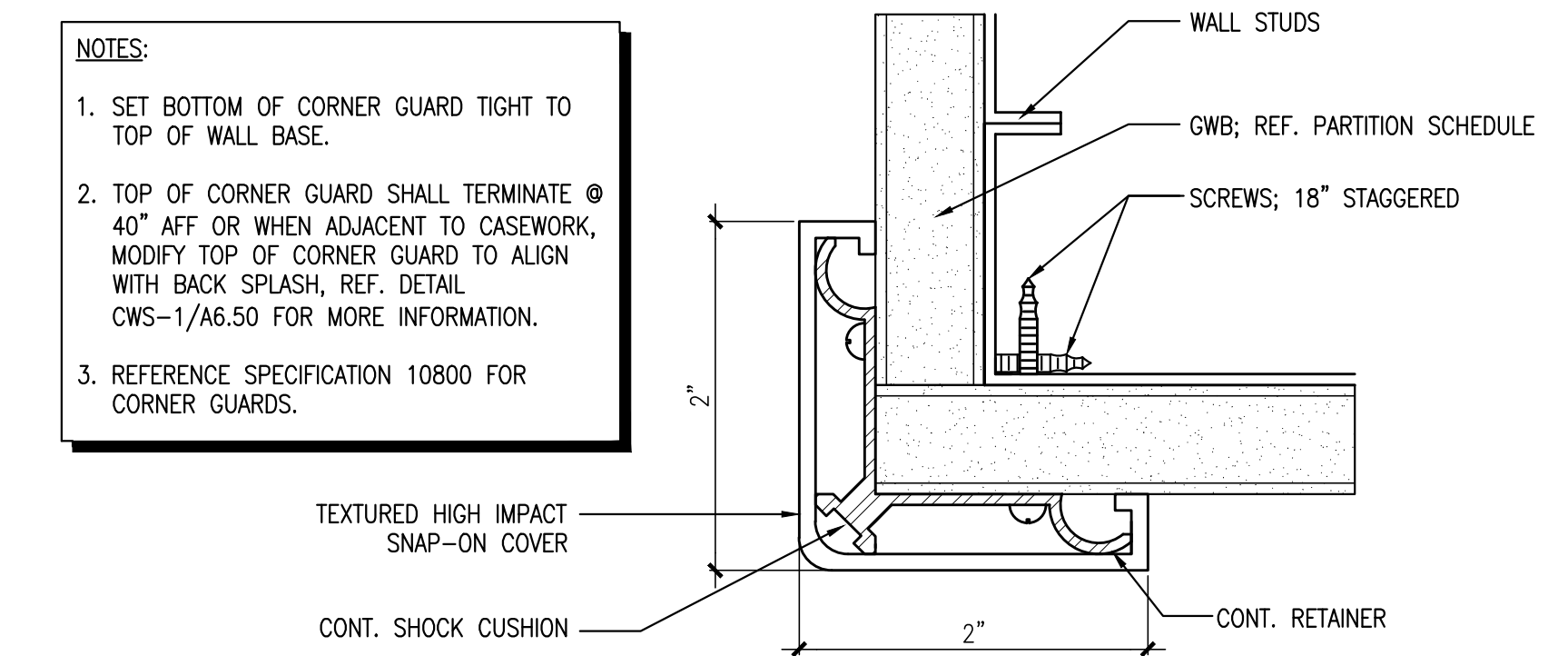
REV #	DATE	REVISION DESCRIPTION
1	3/14/2012	ISSUED FOR 100% CONSTRUCTION

A6.5

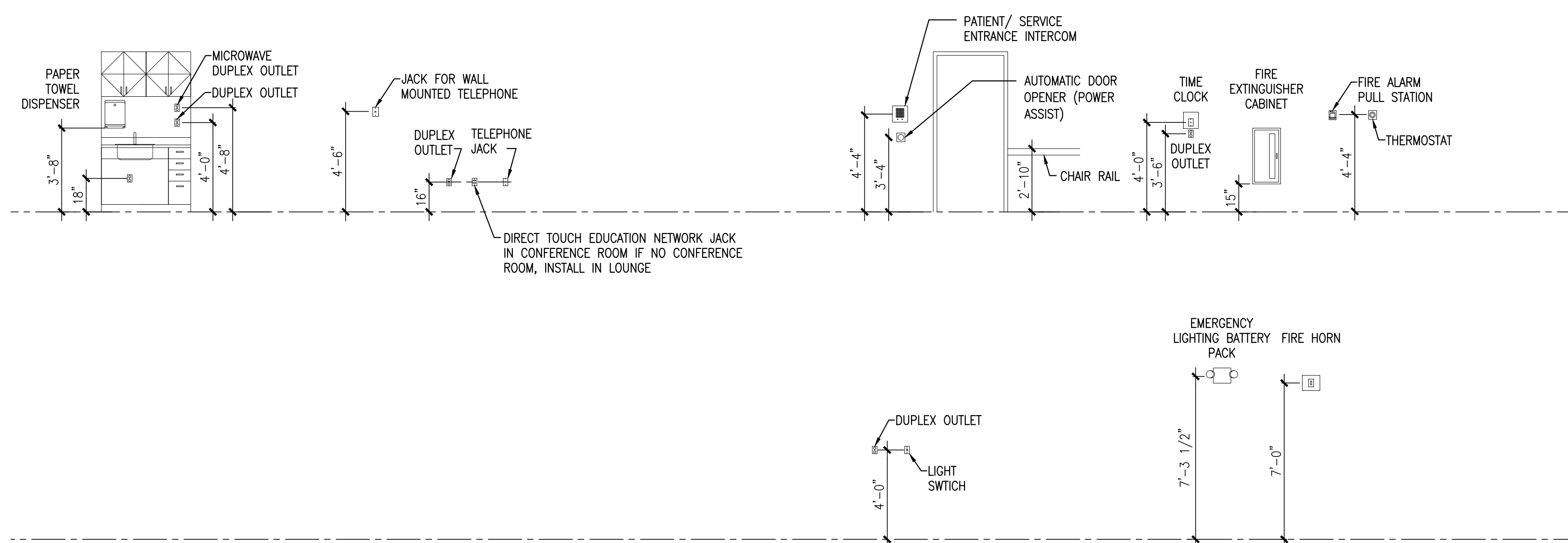
Sheet Number



**CWS-1 CORNER GUARD ELEVATION**  
A6.5 SCALE: 3/4" = 1'-0"



**AG-4 CORNER GUARD DETAIL**  
A6.5 SCALE: 1'-0" = 1'-0"



NOTES:  
 1. ACTUAL OWNER SUPPLIED ACCESSORIES MAY DIFFER FROM WHAT IS SHOWN. COORDINATE WITH ACTUAL PRODUCTS PRIOR TO BLOCKING INSTALLATION.  
 2. REFERENCE PLANS FOR LOCATIONS. REFERENCE DETAILS SHEETS FOR ADDITIONAL INFORMATION.

**AG-2 AG-3 MOUNTING HEIGHTS ELEVATIONS**  
A6.5 A6.5 SCALE: 1/4" = 1'-0"

**FMC STANDARD DETAILS**  
SCALE: AS NOTED