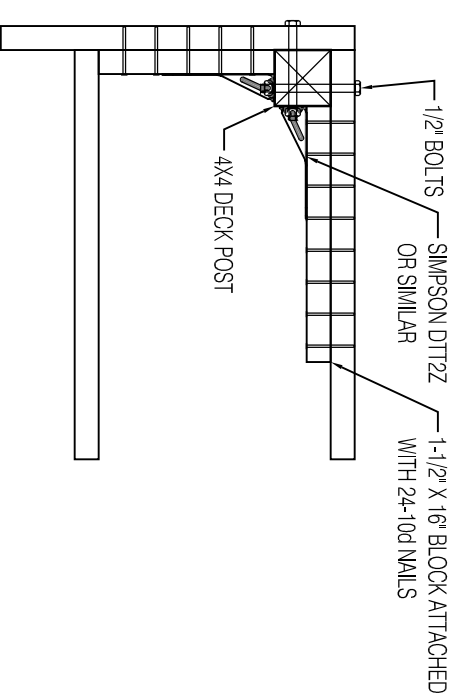
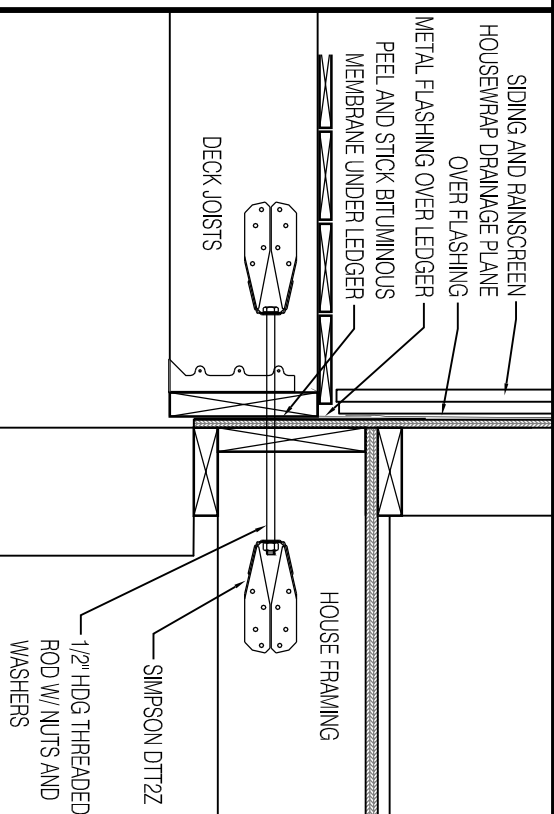


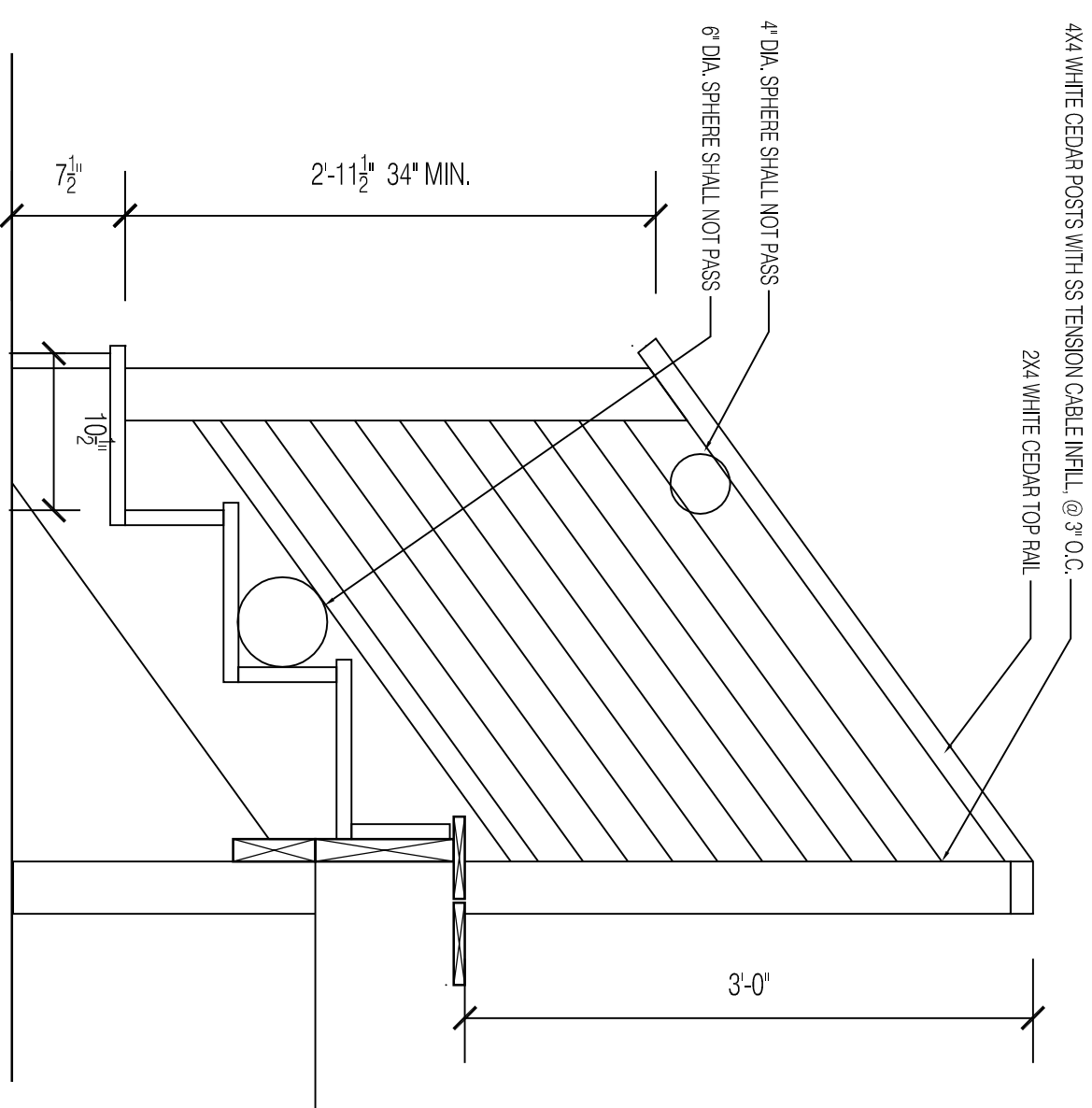
1 DECK POST ATTACHMENT
1" = 1'-0"



2 DECK POST ATTACHMENT
1" = 1'-0"



3 DECK LEDGER ATTACHMENT
1" = 1'-0"



4 DECK STAIR DETAIL
1" = 1'-0"

PROSPECT

DETAILS
SILVERMAN

DATE:	8:18.2014
DRAWN BY:	BB

A-3.2