



**ARCHITECTS**  
 49 DARTMOUTH STREET  
 PORTLAND, MAINE 04101  
 207-775-1059  
 www.pdtarch.com

**COPYRIGHT 2009**  
 PDT Architects  
 Reuse or reproduction of the  
 contents of this document is not  
 permitted without written  
 permission of PDT Architects.

**Maine Eye Center - Stroudwater Crossing**  
 PORTLAND, MAINE

JOB NO.  
09-006

DRWN. CHK  
AJR

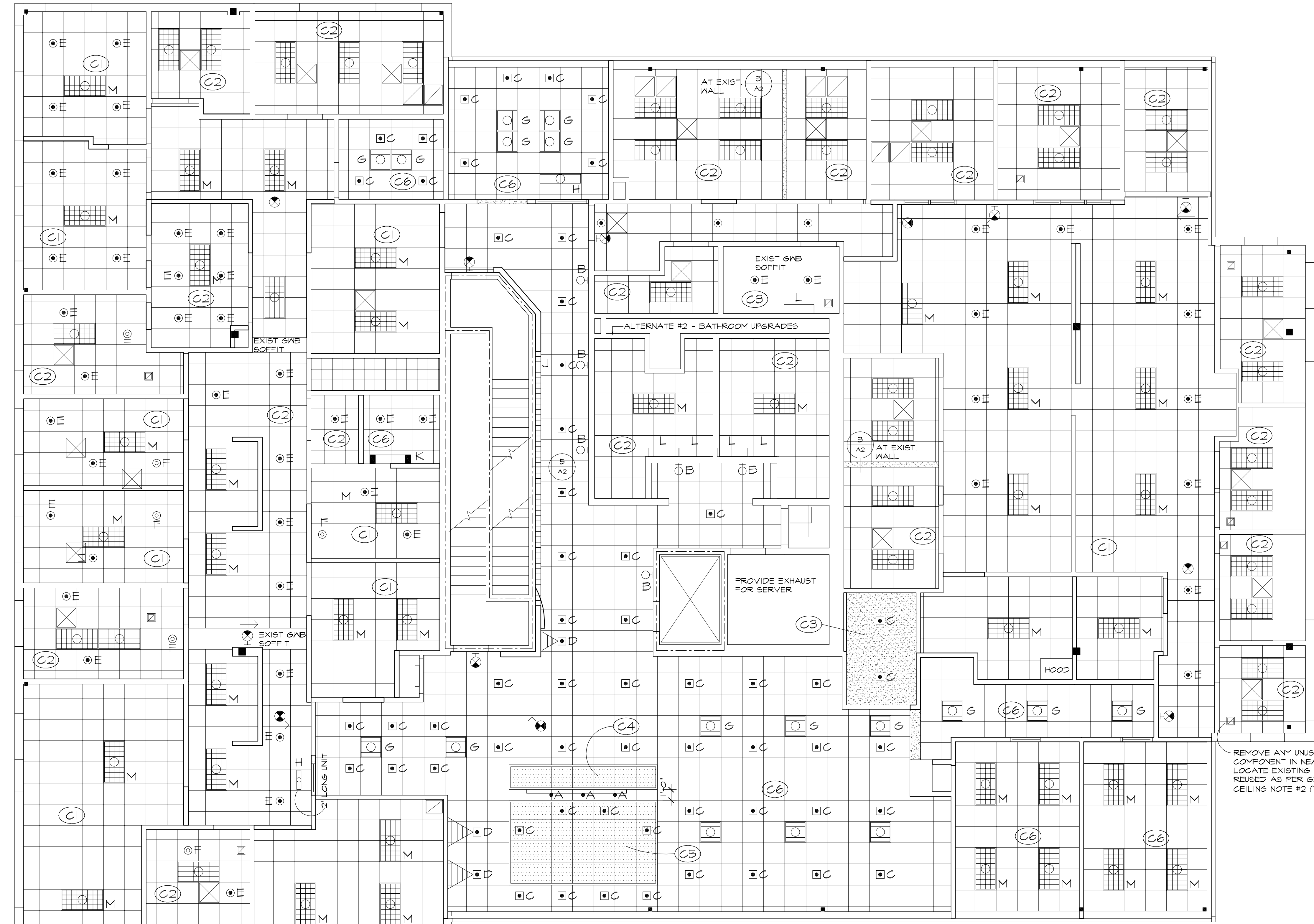
SCALE:  
AS NOTED

ISSUE  
PERMIT SET  
19 MARCH 2009

TITLE  
FIRST FLOOR PLAN

SHEET

**A2**



REMOVE ANY UNUSED COMPONENT IN NEW LAYOUT. LOCATE EXISTING TO BE REUSED AS PER GENERAL CEILING NOTE #2 (TYP).

**FIXTURE / GRAPHIC LEGEND:**

- A TYPE A DECORATIVE PENDANT
- B TYPE B DECORATIVE WALL SCONCE
- ◻ C TYPE C RECESSED 4.5"x4.5" DOWNLIGHT
- ◻ D TYPE D RECESSED 4.5"x4.5" ACCENT ADJUSTABLE
- E TYPE E NEW CANS
- F TYPE F FIXATION
- ◻ G TYPE G 2x2 DIRECT / INDIRECT
- ◻ H TYPE H ASYMETRIC WALL WASHER
- ◻ J TYPE J CONTINUOUS WALL GRAZER
- ◻ K TYPE K ABOVE MIRROR FLUORESCENT
- ◻ L TYPE L ABOVE MIRROR FLUORESCENT
- ◻ M TYPE M RELOCATED EXISTING 32 CELL FLUORESCENT
- ◻ CEILING TYPE C3 (NEW 5/8" PAINTED G&B)
- ◻ CEILING CLOUDS
- ◻ NEW SUSPENDED CEILING SYSTEM
- ◻ EXISTING CEILING MOUNTED MECH. EQUIPMENT, REMOVE ALL NON USED AND REPLACE WITH CEILING TILE TO MATCH ADJACENT

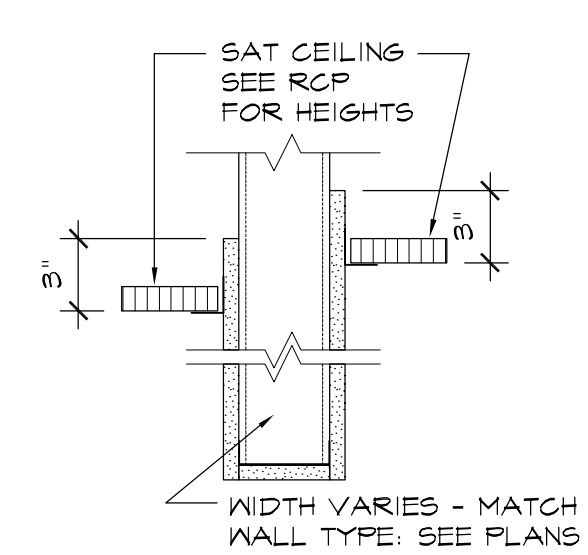
**CEILING TYPES:**

- C1 24x48 SUSPENDED ACOUSTICAL TILE, SIMULATED AS 24x24
- C2 24 x48 SUSPENDED ACOUSTICAL TILE SIMULATED AS 24x24, NEW TILES IN EXISTING SYSTEM
- C3 5/8" PTD G&B
- C4 CLOUD A
- C5 CLOUD B
- EXP OPEN TO ABOVE, PAINTED EXPOSED
- UNF UNFINISHED EXPOSED STRUCTURE
- C6 2x2 SAT

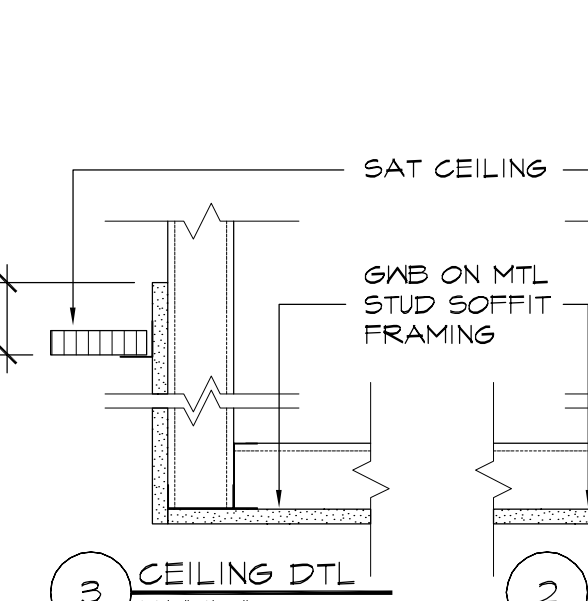
**CEILING NOTES:**

1. CEILING PLANS DO NOT SHOW EVERY FIXTURE OR COMPONENT. REFER TO ELECTRICAL, PLUMBING, AND MECHANICAL DESIGN-BUILD DOCUMENTS FOR EXTENT OF ALL CEILING PENETRATIONS AND INSTALLATIONS AND COORDINATE PRIOR TO INSTALLATION.
2. ALL COMPONENTS MOUNTED IN OR BELOW A SUSPENDED ACOUSTIC CEILING SHALL BE CENTERED IN THE CEILING TILE OR IN THE 2x2 PORTION OF REGULAR TILES. THIS SHALL INCLUDE, BUT NOT BE LIMITED TO, LIGHT FIXTURES, DIFFUSERS, SPEAKERS, AND SPRINKLER HEADS.
3. PAINT ALL NEW AND EXISTING G&B SOFFITS AND CEILING.
4. CEILING HEIGHTS SHALL MATCH EXISTING HEIGHTS IN A GIVEN AREA U.N.O.

3 CEILING DTL  
1/12"=1'-0"



4 CEILING DTL  
1/12"=1'-0"



1 SCHEMATIC CEILING PLAN  
3/16"=1'-0"

2 CEILING DTL  
1/12"=1'-0"

Mar 19, 2009 - 2:05pm

\\Pdt\A\Data2\Master Proj Files2\Maine Eye Center\Maine Eye Stroudwater\CAD\MEEYE-plan.dwg