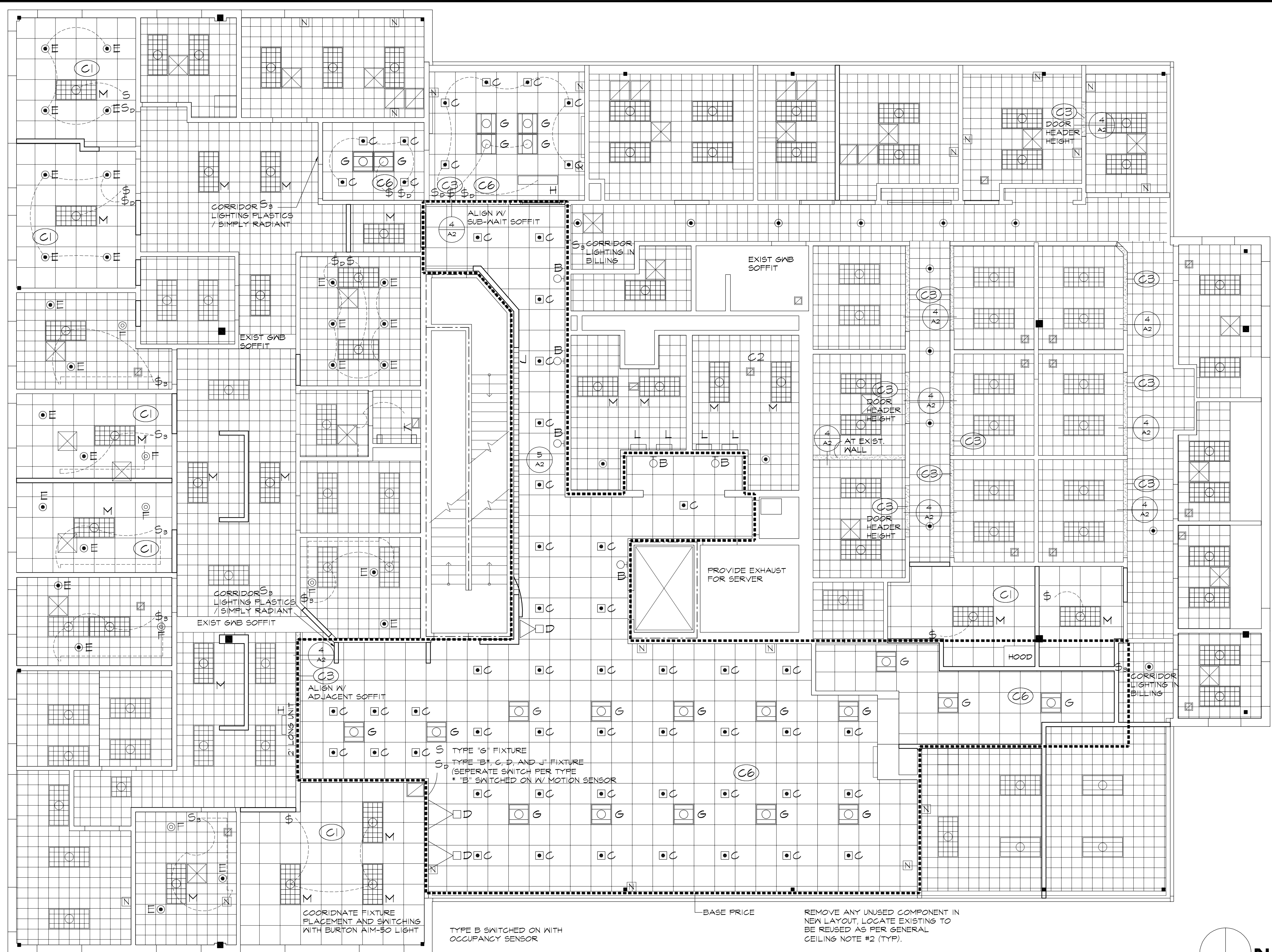
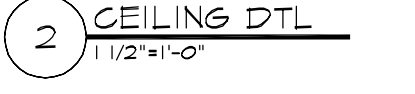
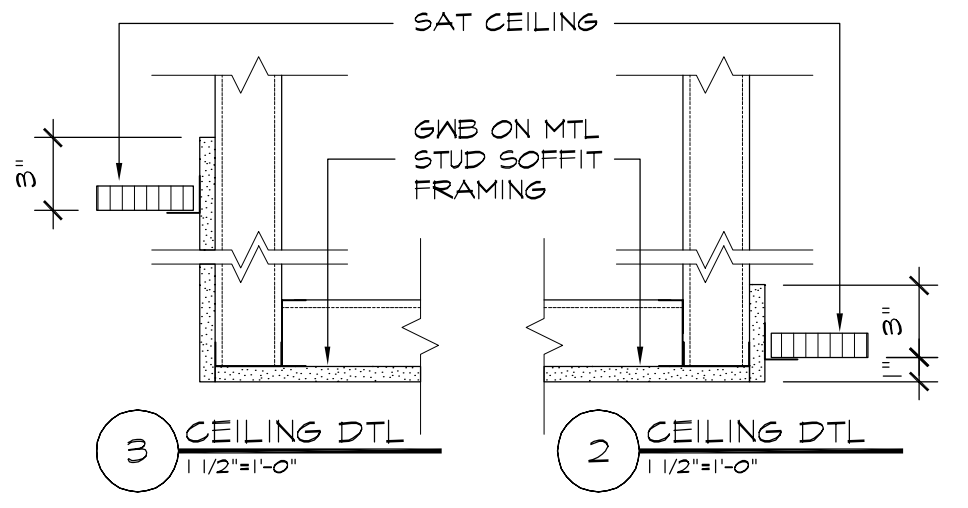
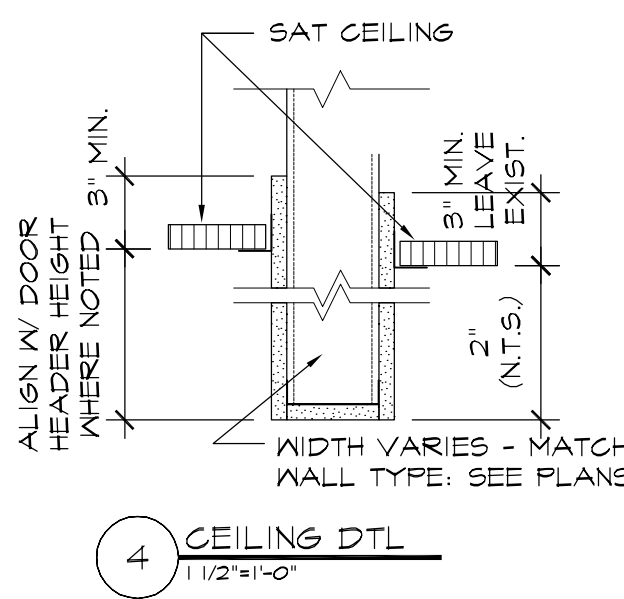
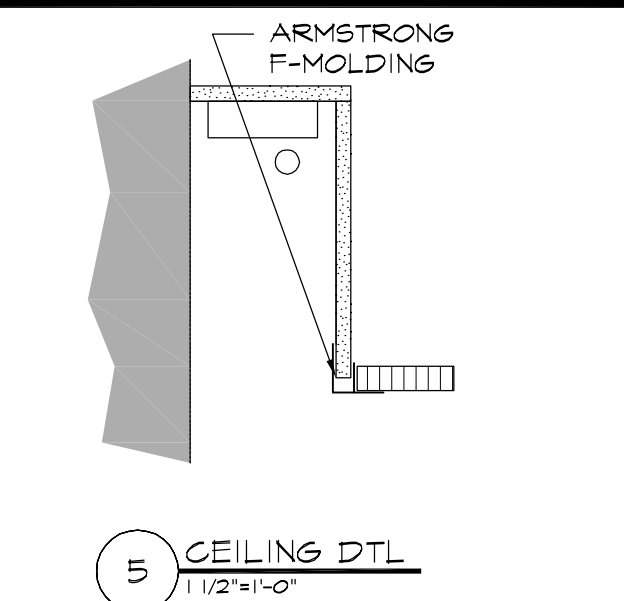
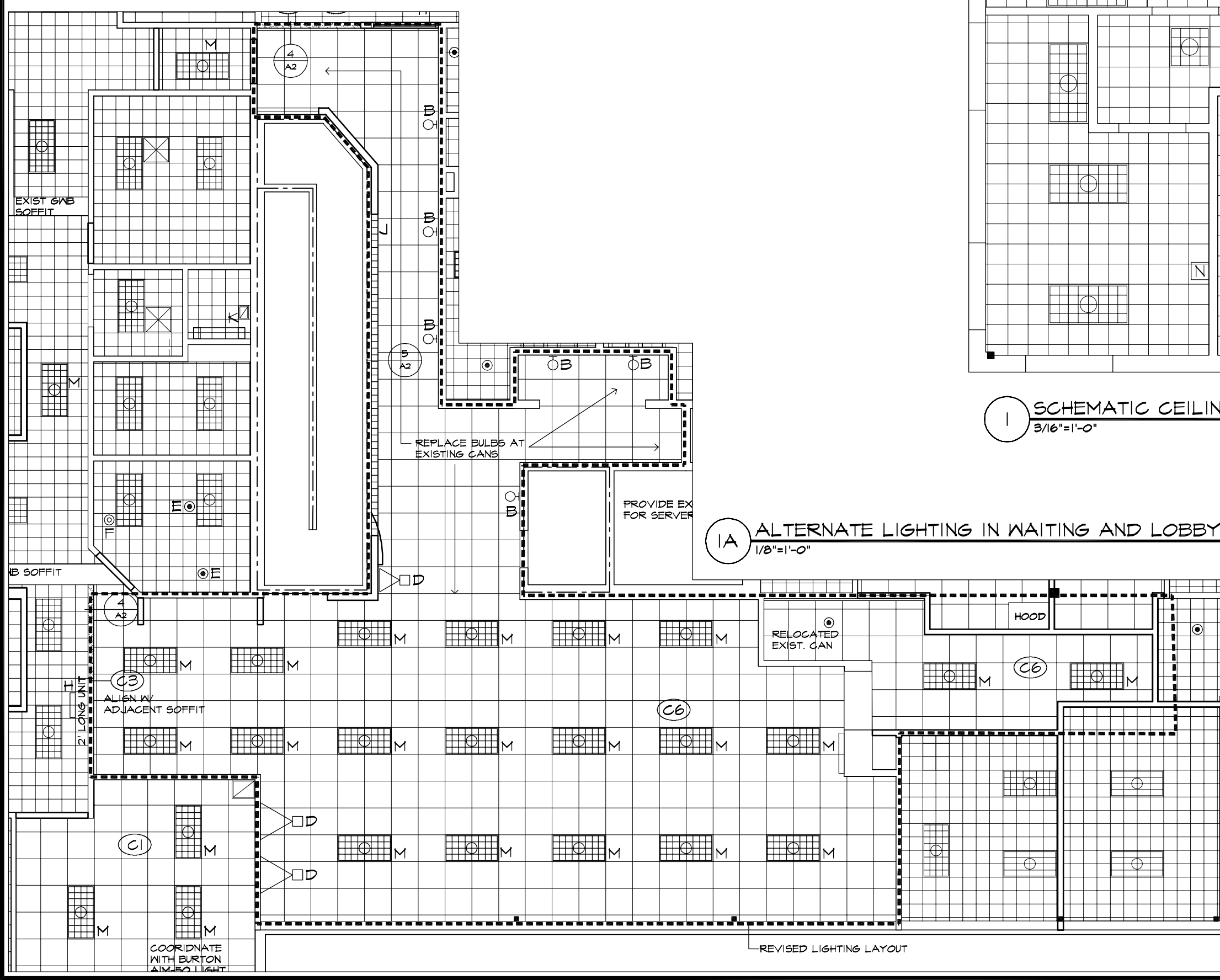


Apr. 08, 2009 - 1:20pm  
\\Pdt-fs\Draw2\Master\Proj Files2\Maine Eye Center\Maine Eye Stroudwater\CAD\MECS\plan\dwg



1 SCHEMATIC CEILING PLAN  
3/16"=1'-0"



1A ALTERNATE LIGHTING IN WAITING AND LOBBY  
1/8"=1'-0"

FIXTURE / GRAPHIC LEGEND:

- A TYPE A DECORATIVE PENDANT
- B TYPE B DECORATIVE WALL SCENCE
- C TYPE C RECESSED 4.5"x4.5" DOWNLIGHT
- △ D TYPE D RECESSED 4.5"x4.5" ACCENT ADJUSTABLE
- E TYPE E NEW GANS
- ⊙ F TYPE F FIXATION
- G TYPE G 2x2 DIRECT / INDIRECT
- H TYPE H ASYMETRIC WALL WASHER
- J TYPE J CONTINUOUS WALL GRAZER
- K TYPE K ABOVE MIRROR FLUORESCENT
- L TYPE L ABOVE MIRROR FLUORESCENT
- M TYPE M RELOCATED EXISTING 32 CELL FLUORESCENT
- N TYPE N NEW SUSPENDED CEILING SYSTEM
- O TYPE O EXISTING CEILING MOUNTED MECH. EQUIPMENT, REMOVE ALL NON USED AND REPLACE WITH CEILING TILE TO MATCH ADJACENT

CEILING TYPES:

- C1 24x48 SUSPENDED ACOUSTICAL TILE, SIMULATED AS 24x24
- C2 24 x48 SUSPENDED ACOUSTICAL TILE SIMULATED AS 24x24, NEW TILES IN EXISTING SYSTEM
- C3 5/8" RTO GAB
- C4 CLOUD A
- C5 CLOUD B
- EXP OPEN TO ABOVE; PAINTED EXPOSED
- UNF UNFINISHED EXPOSED STRUCTURE
- C6 2x2 SAT

CEILING NOTES:

1. CEILING PLANS DO NOT SHOW EVERY FIXTURE OR COMPONENT. REFER TO ELECTRICAL, PLUMBING, AND MECHANICAL DESIGN-BUILD DOCUMENTS FOR EXTENT OF ALL CEILING PENETRATIONS AND INSTALLATIONS AND COORDINATE PRIOR TO INSTALLATION.
2. ALL COMPONENTS MOUNTED IN OR BELOW A SUSPENDED ACOUSTIC CEILING SHALL BE CENTERED IN THE CEILING TILE OR IN THE 2X2 PORTION OF REGULAR TILES. THIS SHALL INCLUDE, BUT NOT BE LIMITED TO, LIGHT FIXTURES, DIFFUSERS, SPEAKERS, AND SPRINKLER HEADS.
3. PAINT ALL NEW AND EXISTING GAB SOFFITS AND CEILINGS
4. CEILING HEIGHTS SHALL MATCH EXISTING HEIGHTS IN A GIVEN AREA U.N.O.

