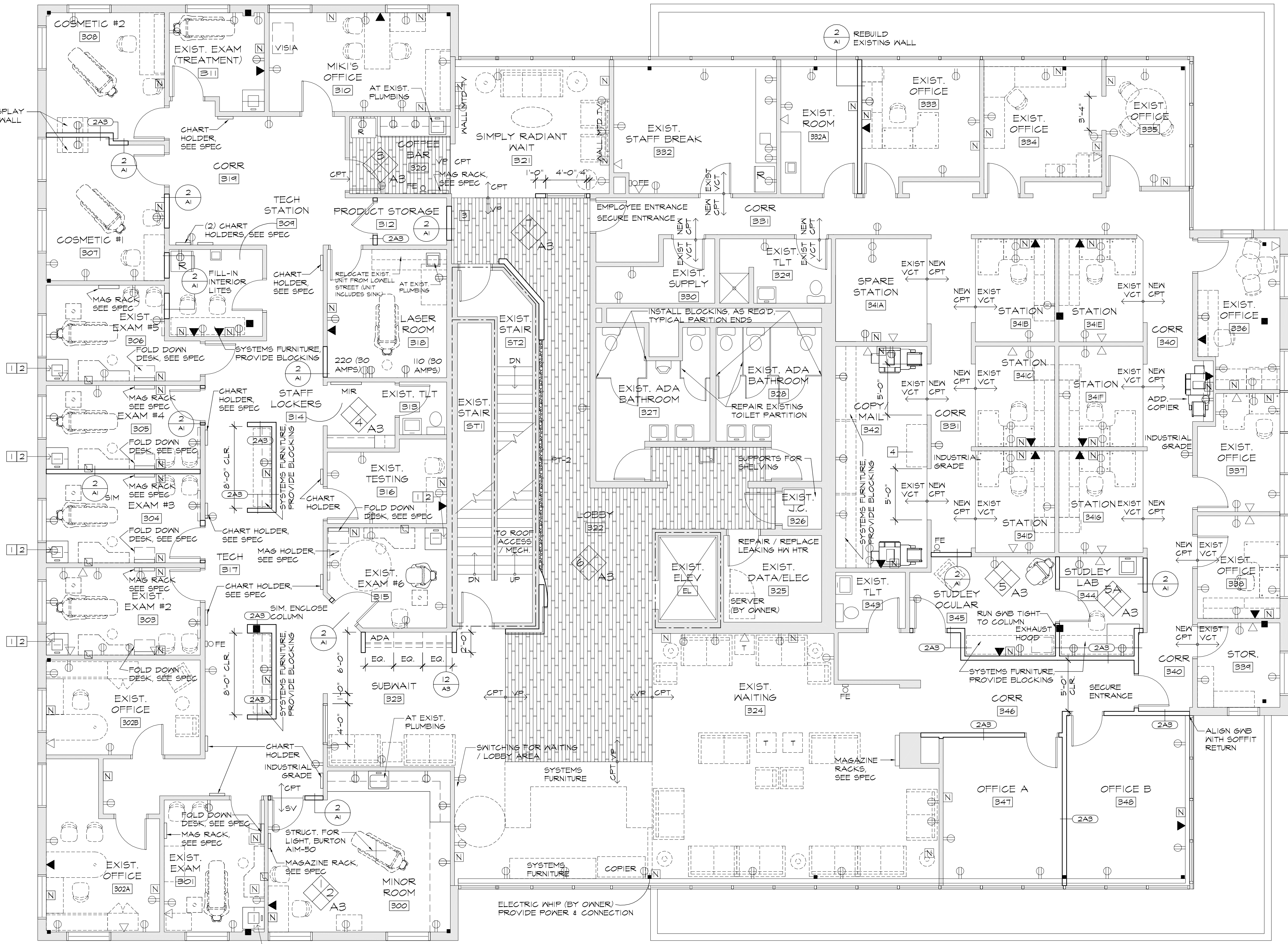
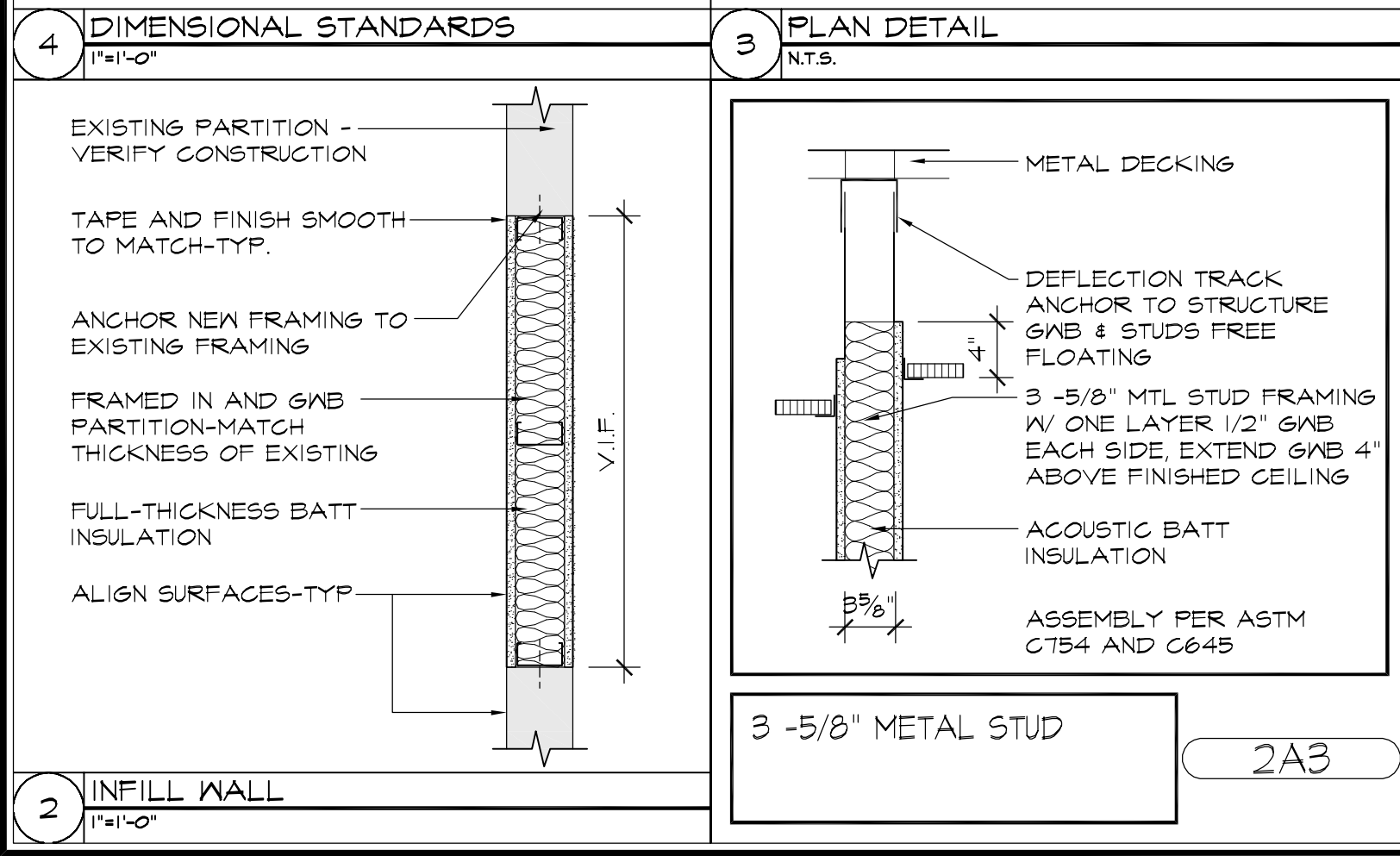
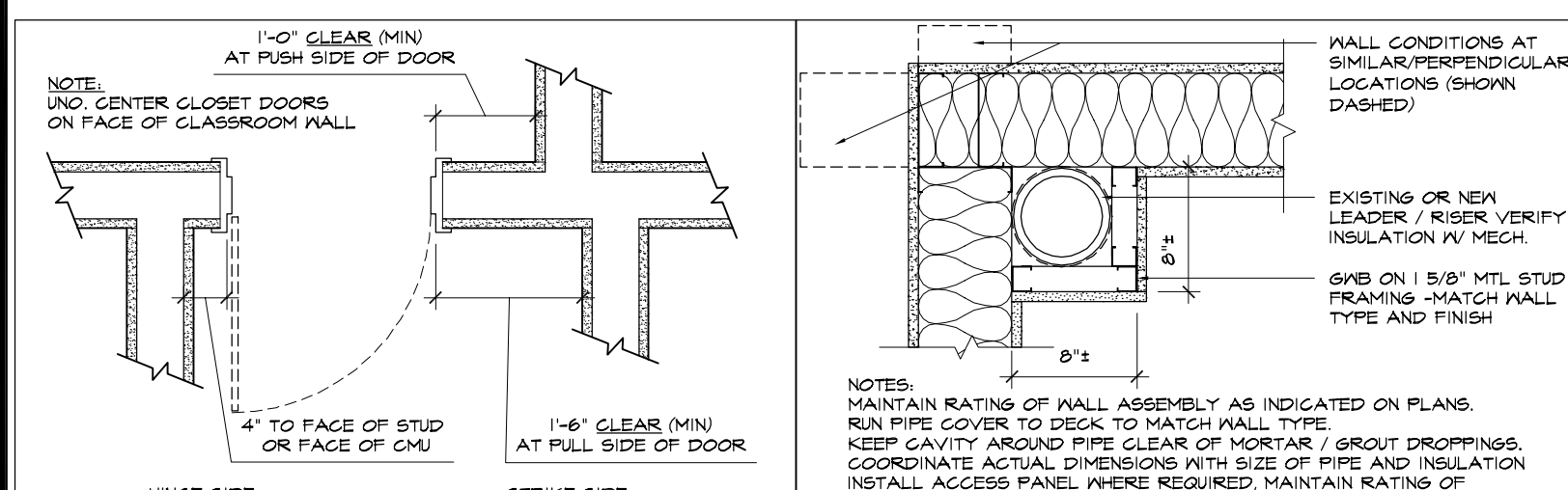


Maine Eye Center - Stroudwater Crossing
 PORTLAND, MAINE

JOB NO. 09-006
DRWN. CHK AJR
SCALE: AS NOTED
ISSUE 07 APRIL 2009
TITLE FLOOR PLAN
SHEET AI



- RELOCATED CASEWORK KEY**
- 1 30" SINK & BASE CABINET (FROM STROUDWATER DEMO)
 - 2 30" WALL CABINET (FROM STROUDWATER DEMO)
 - 3 88" SINK & BASE CABINET (FROM LOWELL STREET FACILITY)
 - 4 50" BASE CABINET (FROM SCARBOROUGH FACILITY)



1 FLOOR PLAN
 3/16"=1'-0"

GENERAL PLAN NOTES

- THE DRAWINGS USE A SYSTEM OF KEYED NOTES ON PLANS, ELEVATIONS AND DETAILS. INSTRUCTIONS FOR SPECIFIC COMPONENTS OF THE WORK ARE KEYED TO THE DRAWINGS. BUILDING SYSTEMS (PARTITIONS) ARE KEYED TO FLOOR PLANS, WALL SECTIONS AND OTHER DETAILS AS APPROPRIATE.
- WORK FROM GIVEN DIMENSIONS. IN GENERAL, LARGE-SCALE DETAILS TAKE PRECEDENCE OVER SMALLER SCALE PLANS, ELEVATIONS AND BUILDING SECTIONS. NOTIFY THE ARCHITECT OF MAXIMUM DIFFERENTIAL OF 1/16" BETWEEN DISSIMILAR MATERIALS. ANY DIMENSIONAL DISCREPANCIES PRIOR TO COMMENCING THE WORK, AND DO NOT BEGIN WORK UNTIL SUCH DISCREPANCIES ARE RESOLVED BY THE ARCHITECT. DO NOT SCALE DRAWINGS. DIMENSIONS INDICATED AS 'CLEAR' SHALL BE MAINTAINED IN CASES OF DISCREPANCY.
- DIMENSIONAL CONTROL: INTERIOR DIMENSIONS ARE FROM:
 - FACE OF STUD TO FACE OF STUD
 - CENTERLINE COLUMN TO FACE OF STUD OR MASONRY
 - EXISTING DIMENSIONS ARE SHOWN ENCLOSED IN SQUARE BRACKETS [] AND SHALL BE VERIFIED.
- ROUGH OPENING DIMENSIONS INDICATED ARE NOMINAL DIMENSIONS ONLY. COORDINATE ALL ROUGH OPENINGS WITH ACTUAL WINDOW UNIT, OR DOORFRAME SIZES & REQUIREMENTS.
- FLOORING AND FLOOR FINISHES SHALL BE INSTALLED TO A BUILDING SECTION. NOTIFY THE ARCHITECT OF MAXIMUM DIFFERENTIAL OF 1/16" BETWEEN DISSIMILAR MATERIALS. PROVIDE TRANSITION STRIPS OR THRESHOLDS (1/2" MAXIMUM) OF SAME MATERIAL AS FLOORING AND/OR AS NOTED ON THE DRAWINGS.
- SEE 4/A1 FOR TYPICAL HM FRAME LOCATIONS AT STUD PARTITION

WALL GENERAL NOTES

- ALL PARTITIONS SHALL EXTEND FROM SUB-FLOOR OR SLAB TO UNDERSIDE OF FLOOR ABOVE, UNO.
- INSTALL ONE BEAD OF ACOUSTICAL SEALANT UNDER EACH LAYER OF GAB AT INTERSECTION WITH FLOOR AT EACH SIDE OF WALL. COVER WITH WALL BASE.
- INSTALL BLOCKING BEHIND ALL SURFACE-APPLIED FIXTURES, TRIM, GRAB BARS, SHELVES, CHAIR RAILS, PICTURE RAILS, BASE MOLDINGS, TACK OR MARKER BOARDS, WINDOW TREATMENT, WALL OR BASE CABINETS OR COUNTERS, AND MISCELLANEOUS ACCESSORIES MOUNTED ON STUD WALLS.
- ALL NEW INTERIOR MTL STUD PARTITIONS ARE TYPE 2A3, UNO.
- NEW EQUIPMENT MOUNTED ON EXISTING WALLS. VERIFY WALL TYPE PRIOR TO THE WORK TO DETERMINE APP. TYPE OF ANCHOR UNO. CONSULT ARCHITECT FOR CLARIFICATION IF NEEDED.

Apr 08, 2009 - 1:20pm

\\Pdt-fn\Data2\Hester_Proj\Files2\Maine Eye Center\Maine Eye Stroudwater\CAD\MECS\plan\dwg