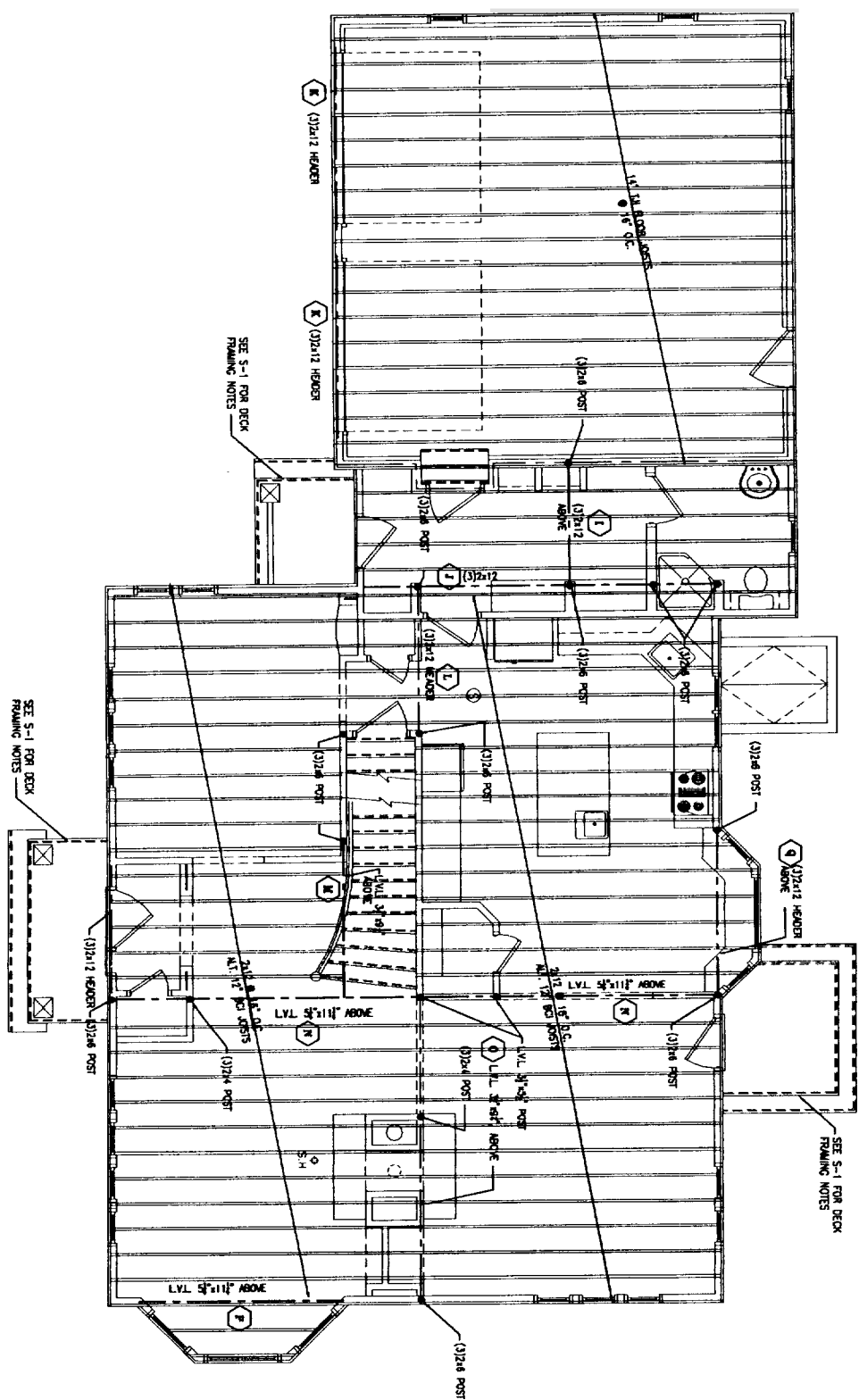


BEAM SCHEDULE:

A	3 1/2"x11"	LI. ROOF	N	LVL 3 1/4"x11"
B	3 1/2"x11"	CS	O	LVL 3 1/2"x8"
C	3 1/2"x11 1/4"	LVL CONT. BEAM	P	LVL 3 1/4"x11"
D	3 1/2"x7 1/4"	LVL CONT. BEAM	Q	(3)2x12 HEADER
E	3 1/2"x11 1/4"	LVL	R	(3)2x12 BEAM
F	(3)2x10 BEAM		S	(3)2x12 BEAM
G	(3)2x4 HEADER		T	(3)2x12 BEAM
H	WIDENING STEEL BEAM		U	(3)2x12 BEAM
I	(3)2x12 BEAM		V	(3)2x12 HEADER
J	3x2x1 BEAM		W	NOT USED
K	(3)2x12 HEADER		X	(3)2x12 HEADER
L	(3)2x12 HEADER			
M	LVL 3 1/2"x8 1/4"			



1 FIRST FLOOR PLAN
 1/4" = 1'-0"

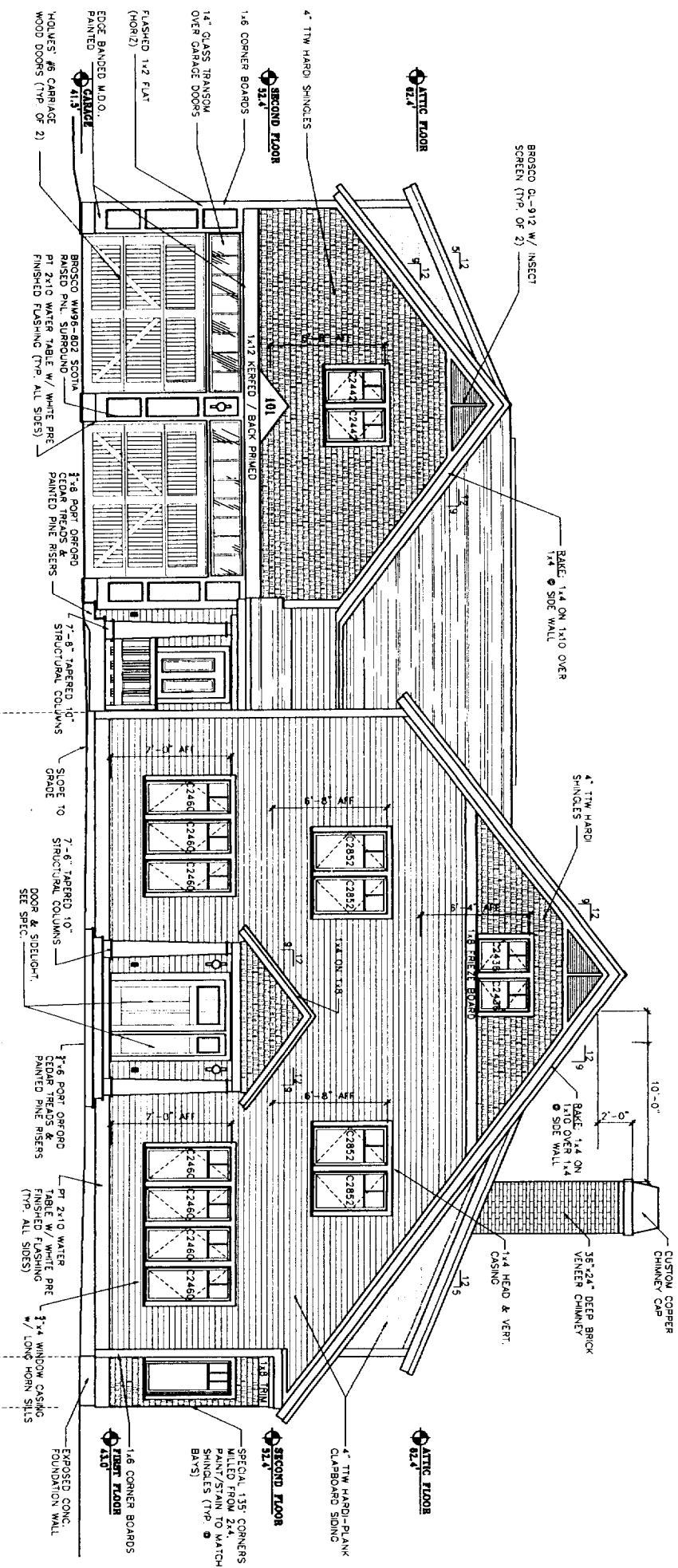
02/03/06

Allen Residence
 101 River's Edge Drive
 Portland, ME. 04101

JOB: 05008

ISSUE DATE
PRELIM. 05/06/05
BD 09/17/05
CDs .
REV. 1 .
REV. 2 .
PRINT 02/03/06

SECOND FLOOR
 FRAMING
 PLAN
S-2



1 FRONT ELEVATION
1/8" = 1'-0"

PORT CITY
DESIGN

43 DEERING STREET
PORTLAND, ME 04101
PHONE: 207.761.9600
FAX: 207.761.9595
design@portcitydesign.com

COPYRIGHT
None or reproduction of the
content of this document is not
permitted without written permission
of PORT CITY DESIGN

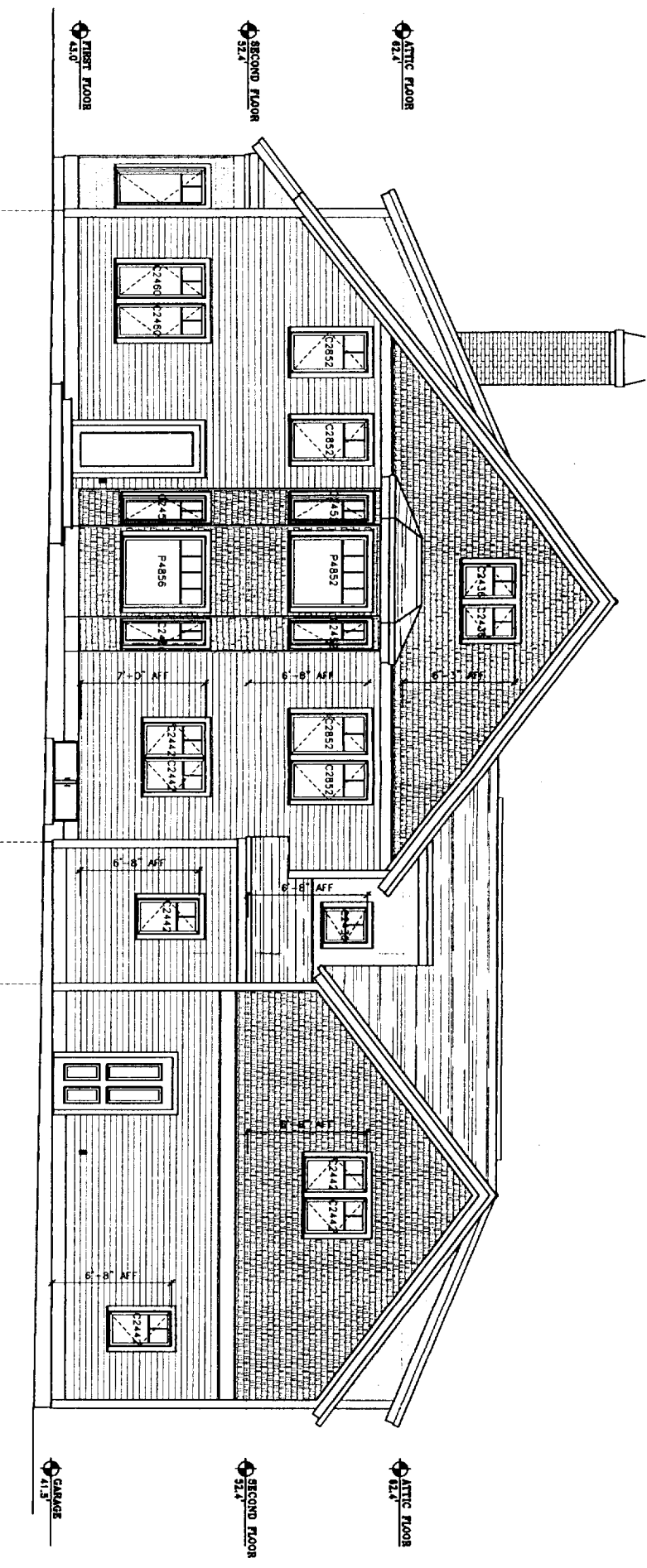
Allen Residence
101 River's Edge Drive
Portland, ME. 04101

JOB: 05008

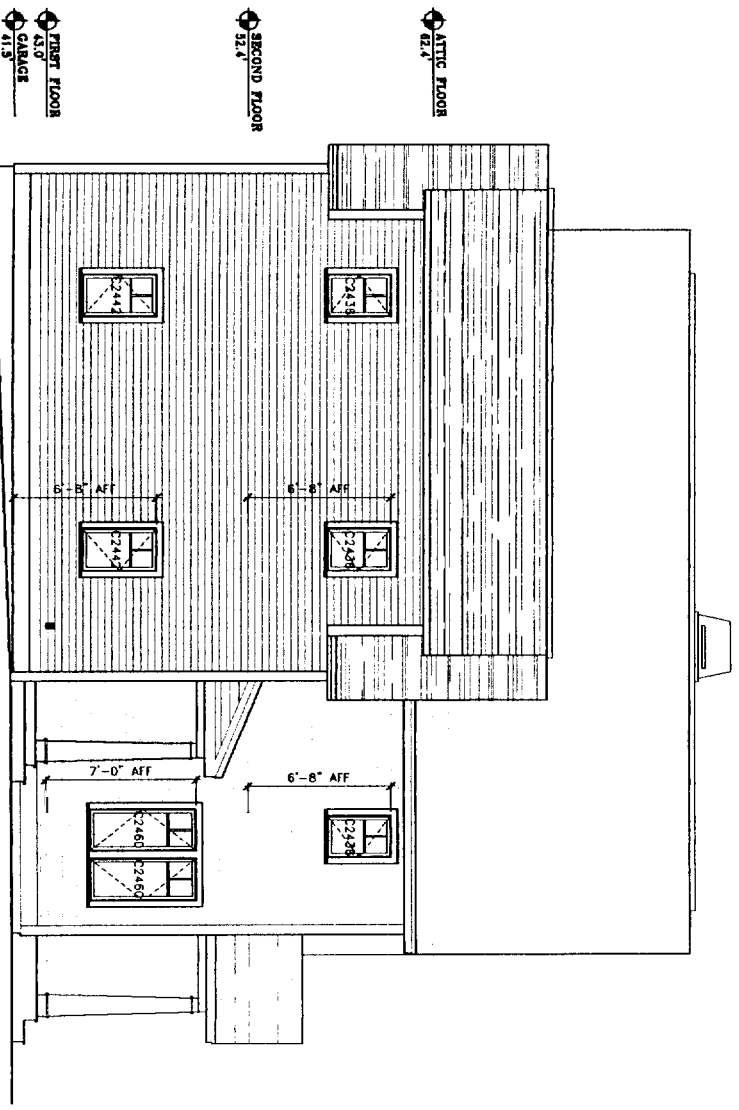
ISSUE DATE
PRELIM 09/06/05
BD 09/17/05
CDs -
REV. 1 -
REV. 2 -
PRINT 02/03/06

02/03/06

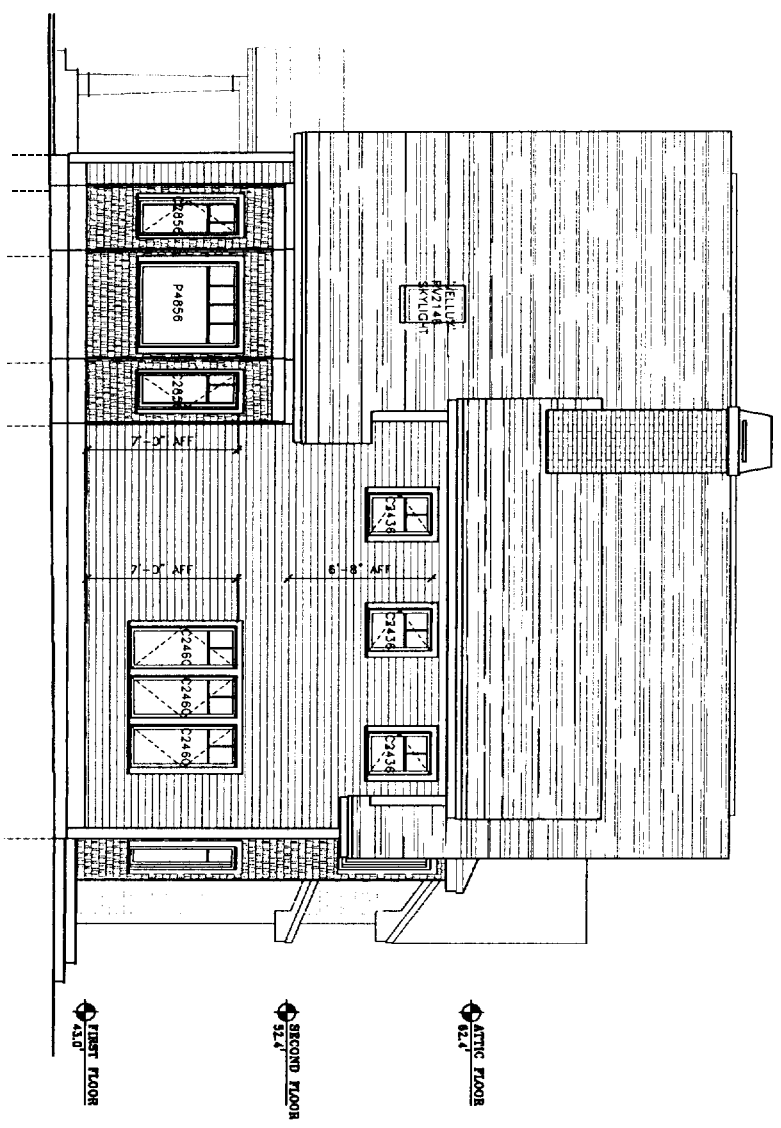
EXTERIOR
ELEVATION
A-1



1 REAR ELEVATION
1/4" = 1'-0"



2 LEFT SIDE ELEVATION
1/4" = 1'-0"



3 RIGHT SIDE ELEVATION
1/4" = 1'-0"

PORT CITY
DESIGN

43 DEERING STREET
PORTLAND, ME 04101
PHONE: 207.761.9600
FAX: 207.761.9595
design@portcitydesign.net

COPYRIGHT
None or reproduction of the
contents of this document is
permitted without written permission
of PORT CITY DESIGN

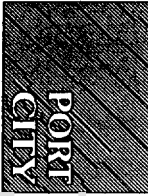
Allen Residence
101 River's Edge Drive
Portland, ME. 04101

JOB: 05008

ISSUE DATE
PRELIM. 05/06/05
BID 09/17/05
CDs .
REV. 1 .
REV. 2 .
PRINT 02/03/06

EXTERIOR
ELEVATIONS
A-2

02/03/06



43 DEERING STREET
 PORTLAND, ME 04101
 PHONE: 207.761.9800
 FAX: 207.761.9895
 design@portcitydesign.com

COPYRIGHT
 Name or reproduction of the
 contents of this document is not
 permitted without written permission
 of PORT CITY DESIGN

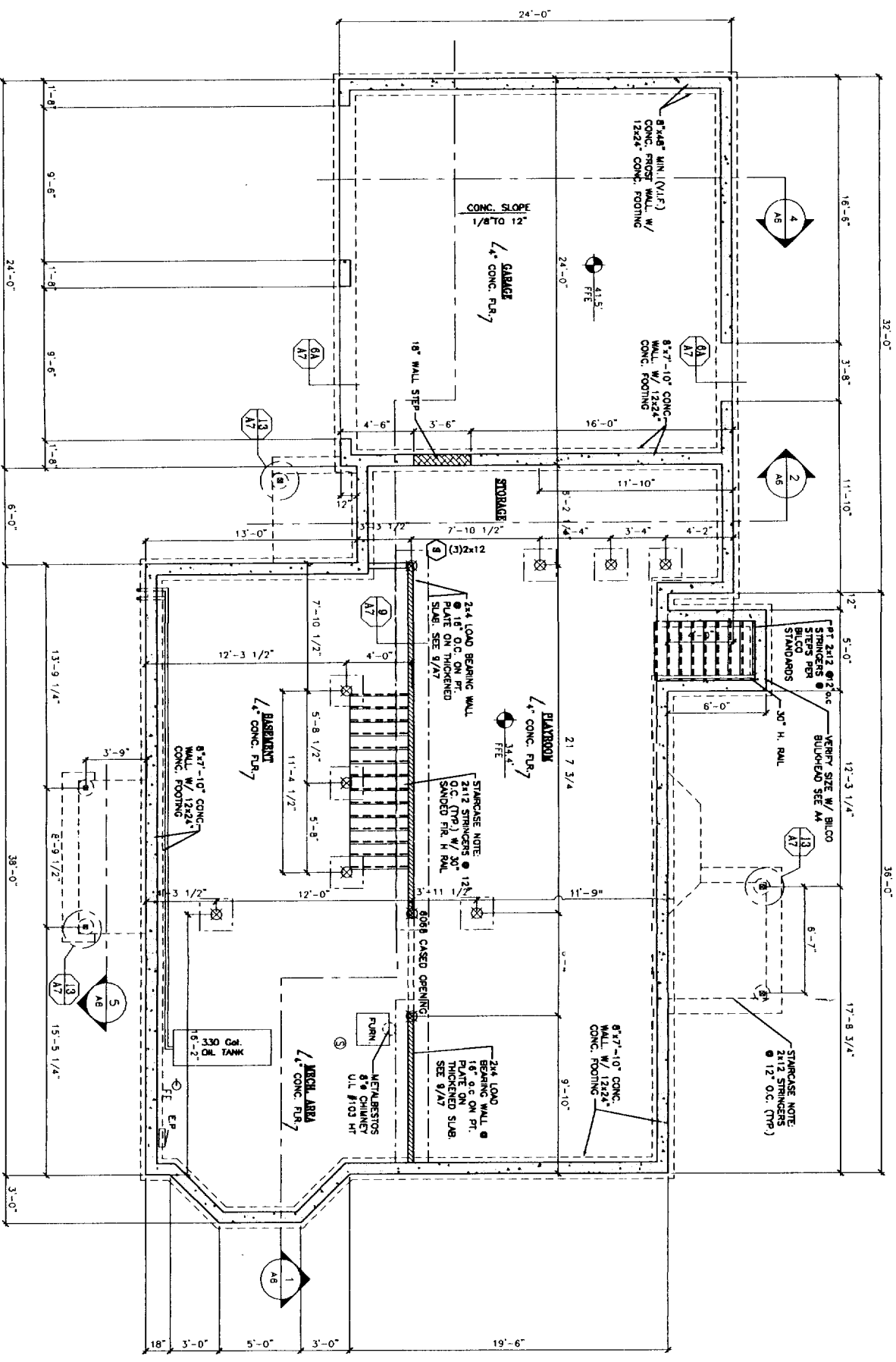
Allen Residence

101 River's Edge Drive
 Portland, ME. 04101

JOB: 050008

ISSUE DATE
PRELIM 05/06/05
BD 08/17/05
CDs
REV. 1
REV. 2
PRINT 02/03/06

FOUNDATION
 PLAN
A-3



1 FOUND
 1/4" = 1'-0"

FIRE PROTECTION LEGEND
 (S) INTERCONNECTED SMOKE DETECTOR SYSTEM (CEILING MOUNTED)
 (FE) FIRE EXTINGUISHER BY OWNER

02/10/3/06

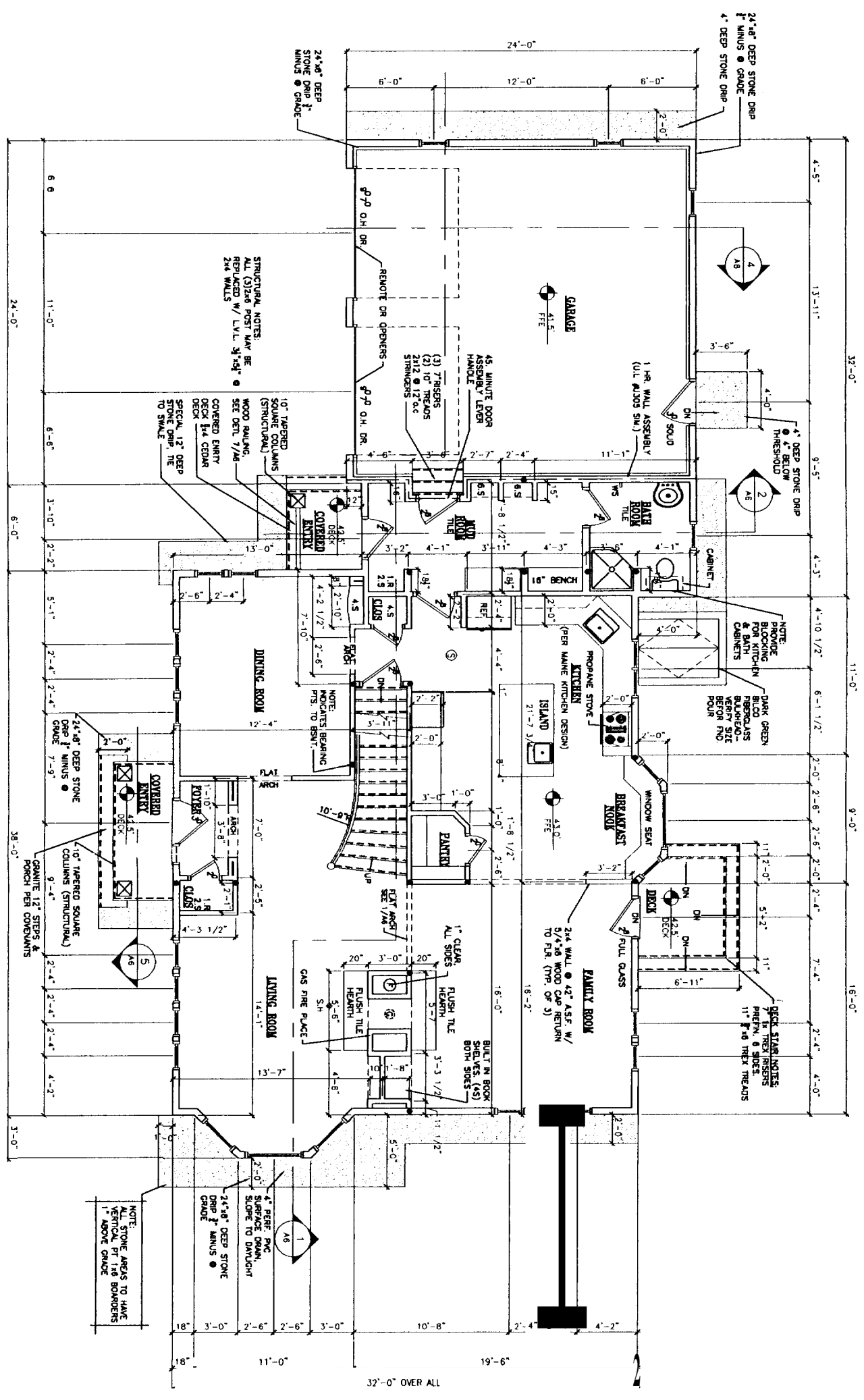
Allen Residence

101 River's Edge Drive
 Portland, ME. 04101

JOB: 05008

ISSUE DATE
PRELIM. 06/06/05
BD 09/17/05
CDs
REV. 1
REV. 2
PRINT 02/03/06

FIRST FLOOR PLAN
A-4

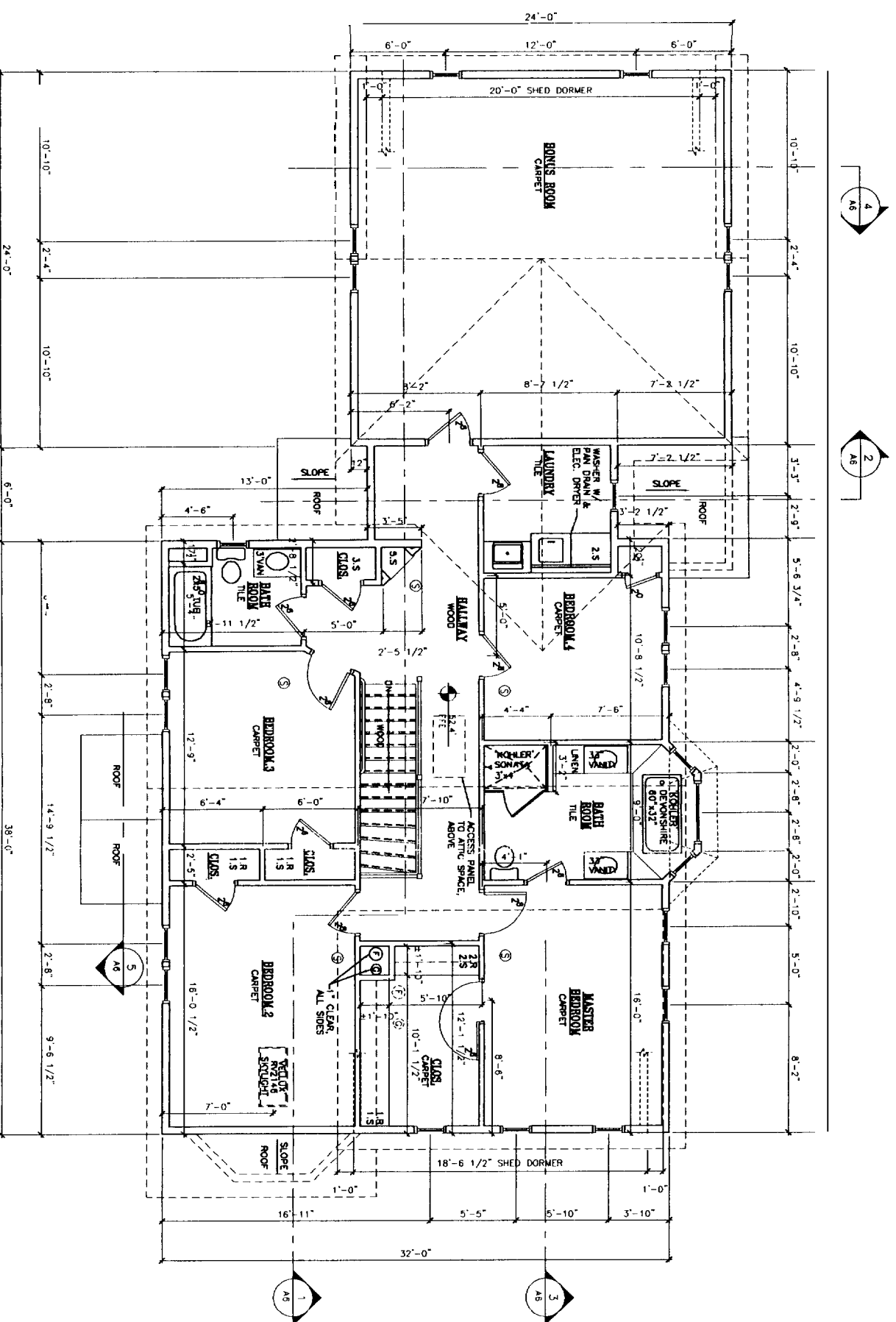


FIRE PROTECTION LEGEND

- ⊙ INTERCONNECTED SMOKE DETECTOR SYSTEM (CEILING MOUNTED)
- ⊕ FIRE EXTINGUISHER BY OWNER
- Ⓢ 5" METALBESTOS CHIMNEY

1 FIRST FLOOR PLAN
 1/4" = 1'-0"

02/03/06



1 SECO
1/4" = 1'-0"
LA

FIRE PROTECTION LEGEND	
⑤	INTERCONNECTED SMOKE DETECTION SYSTEM (CEILING MOUNTED)
⊕	FIRE EXTINGUISHER BY OWNER
⑦	8" METALBESTON CHIMNEY U/L #103 HF
⊙	ZERO CLEARANCE DOUBLE WALL GAS STOVE PIPE

02/10/3/06

PORT CITY DESIGN
43 DEERING STREET
PORTLAND, ME 04101
PHONE: 207.741.9800
FAX: 207.761.9898
design@portcitydesign.com

COPYRIGHT
No use or reproduction of the contents of this document is not permitted without written permission of PORT CITY DESIGN.

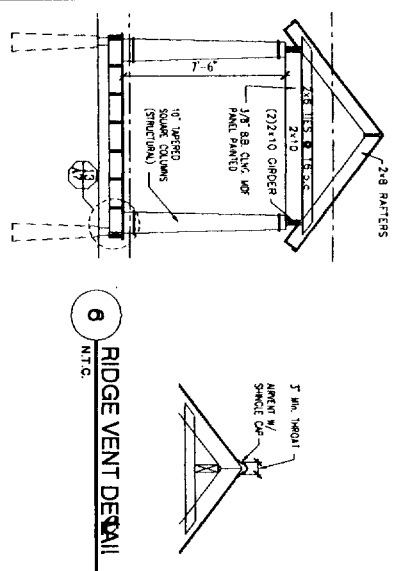
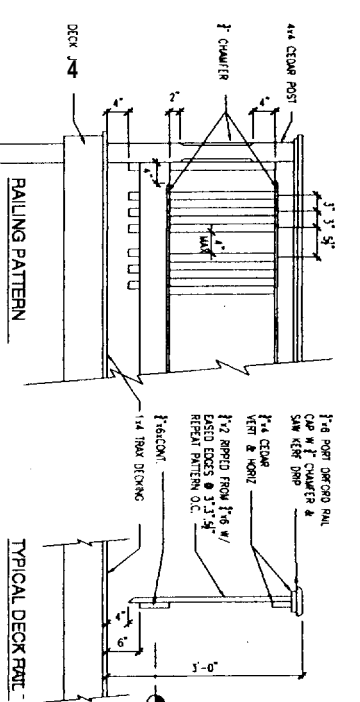
Allen Residence

101 River's Edge Drive
Portland, ME. 04101

JOB: 05008

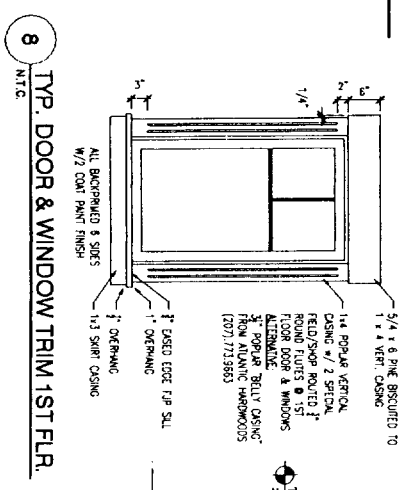
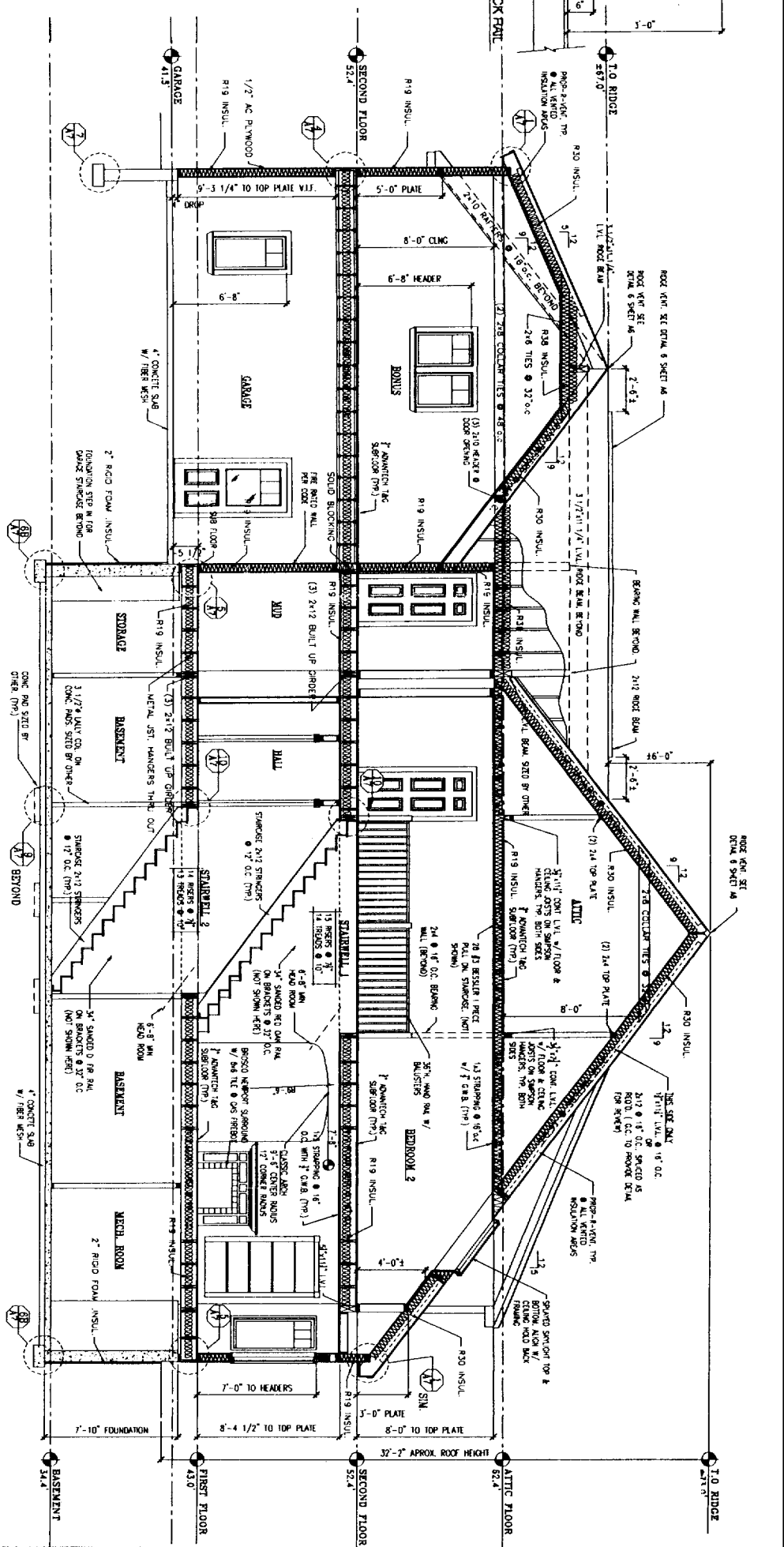
ISSUE DATE
PRELIM 04/06/05
BD 06/17/05
CDs -
REV. 1 -
REV. 2 -
PRINT 02/03/06

SECOND FLOOR PLAN
A-5

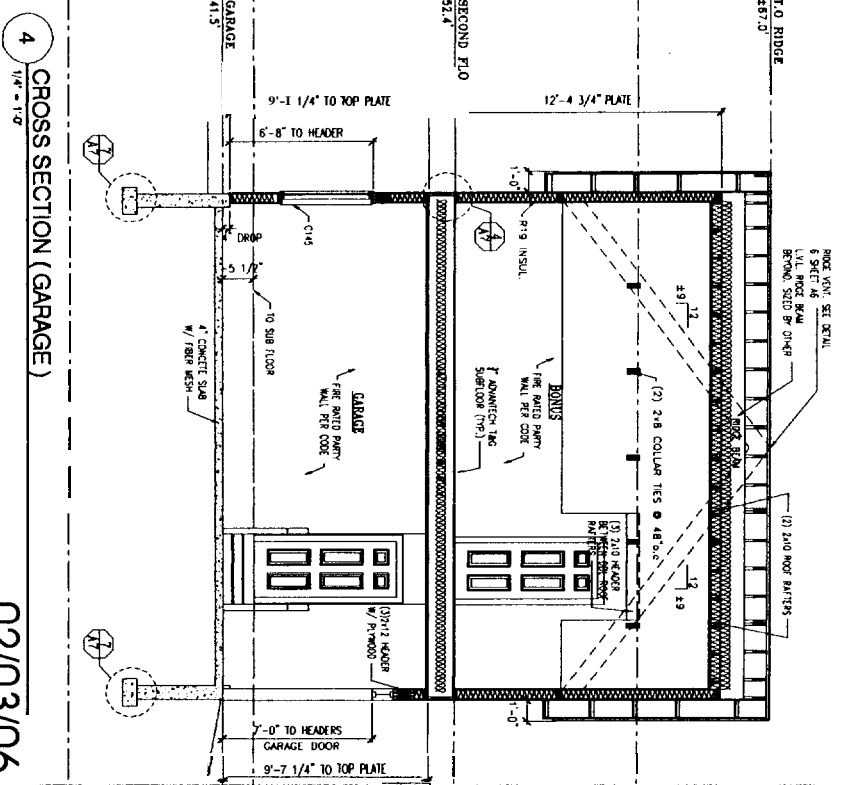
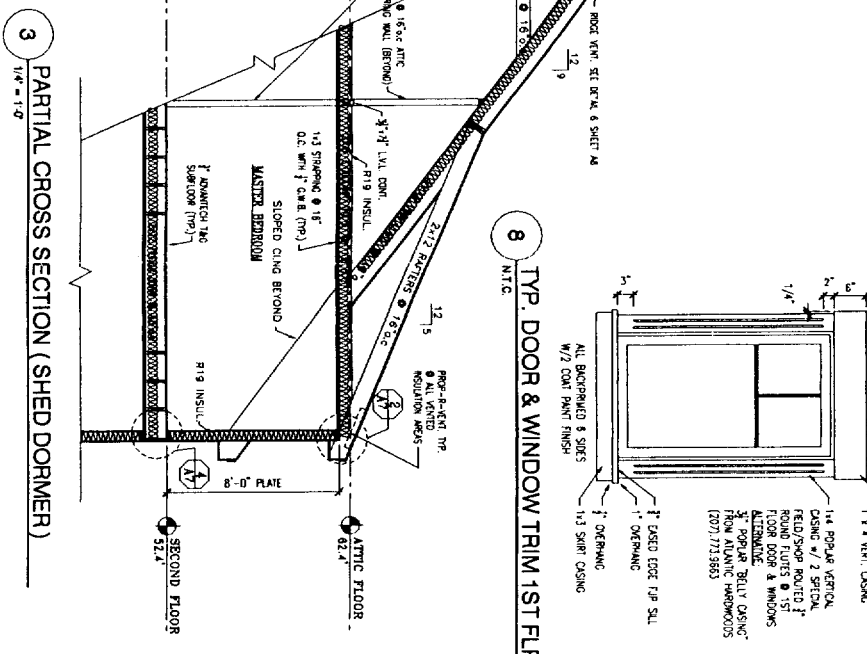
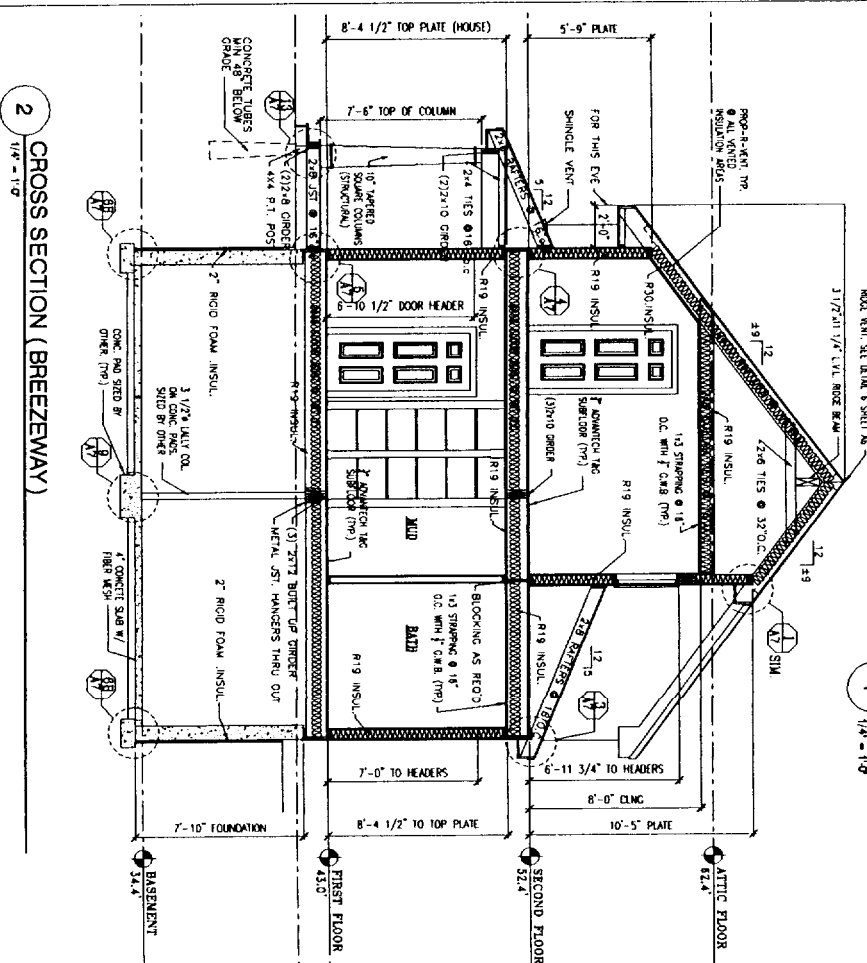


5 XSECTION (FRONT ENTRY) 1/4" = 1'-0"

1 CROSS SECTION (MAIN HOUSE) 1/4" = 1'-0"



8 TYP. DOOR & WINDOW TRIM 1ST FLR. N.T.C.



PORT CITY DESIGN
 43 DEERING STREET
 PORTLAND, ME 04101
 PHONE: 207.761.9900
 FAX: 207.761.9595
 www.portcitydesign.com

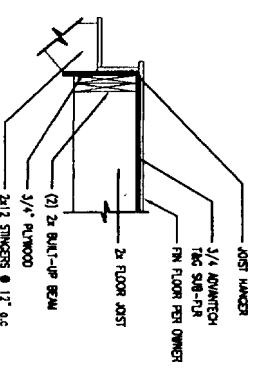
COPYRIGHT
 Name or reproduction of the
 contents of this document is not
 permitted without written permission
 of PORT CITY DESIGN

Allen Residence
 101 River's Edge Drive
 Portland, ME. 04101

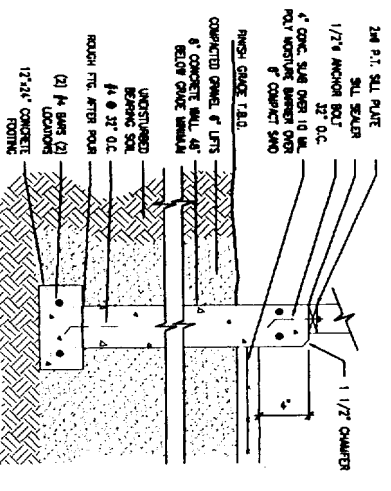
JOB: 05008 8

ISSUE DATE	ISSUE
04/04/05	PRELIM.
08/17/05	BD
	CD5
	REV. 1
	REV. 2
02/03/06	PRINT

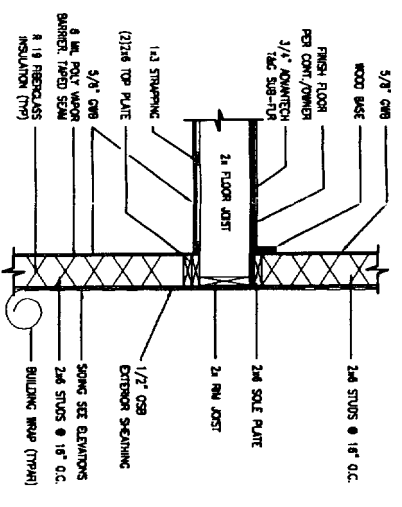
02/03/06
 BUILDING SECTIONS
A-6



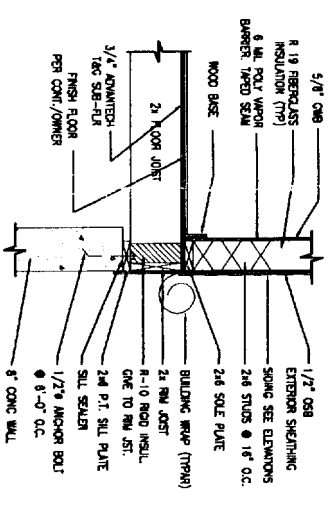
10 STAIR ATTACHMENT DETAIL
3/4" x 11'-0"



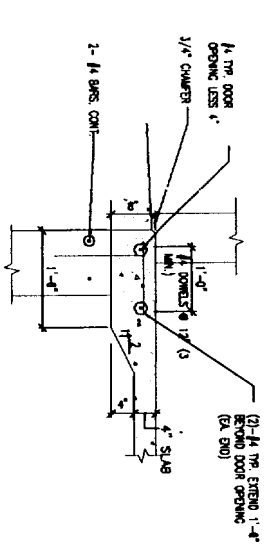
7 SLAB & FROST WALL @ GARAGE
3/4" x 11'-0"



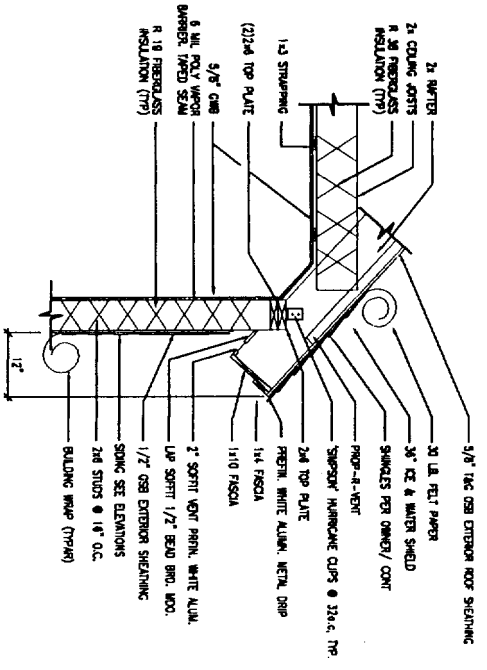
4 EXTERIOR WALL DETAIL
3/4" x 11'-0"



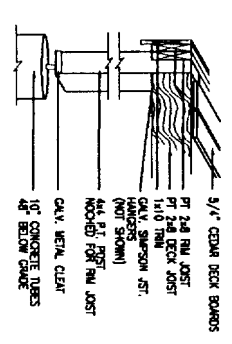
5 WALL BASE DETAIL
3/4" x 11'-0"



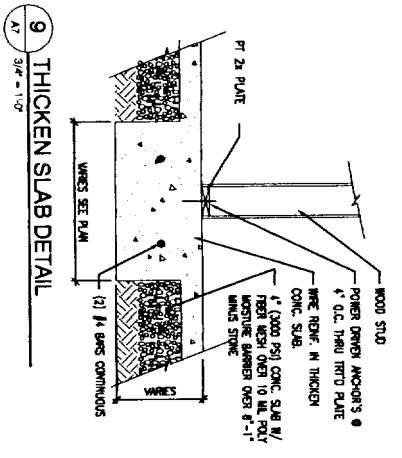
2 SOFFIT @ SHED OVER M. BEDRM. DETAIL
3/4" x 11'-0"



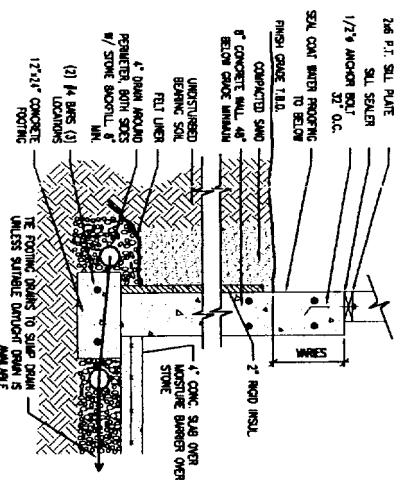
1 SOFFIT
3/4" x 11'-0"



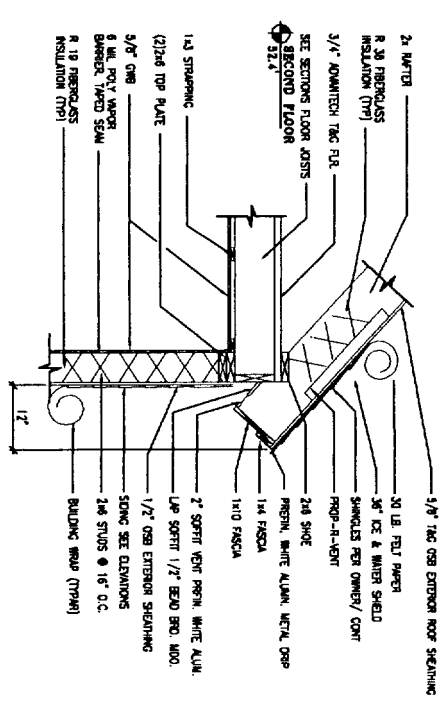
13 DECKFAMMER PORCH DETAIL
3/4" x 11'-0"



9 THICKEN SLAB DETAIL
3/4" x 11'-0"



6B SLAB & FOUND. WALL DETAIL (FULL FOUND)
3/4" x 11'-0"



3 SOFFIT @ SHED OVER 1ST FL. BATH DETAIL
3/4" x 11'-0"

PORT CITY DESIGN

43 DEERING STREET
PORTLAND, ME 04101
PHONE: 207.761.9900
FAX: 207.761.9995
DESIGN@PORTCITYDESIGN.COM

COPYRIGHT

None or reproduction of the contents of this document is not permitted without written permission of PORT CITY DESIGN.

Allen Residence

101 River's Edge Drive
Portland, ME. 04101

JOB:	050008
ISSUE DATE:	02/03/06
PRELIM:	02/03/06
BD:	02/17/06
CD:	-
REV. 1:	-
REV. 2:	-
PRINT:	02/03/06

BUILDING DETAILS

A-7

02/03/06