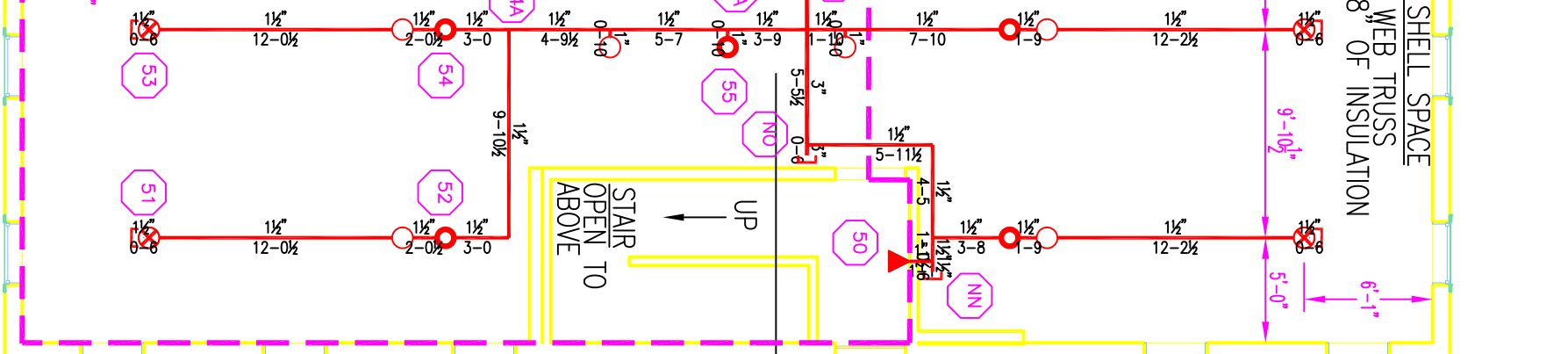


Sprinkler Head Schedule

Symbol	Count	Thread	K-Factor	Description	Note
○	56	1/2"	5.6	WCTAULIC VZ704 1/2 QR 200 BRASS	on Line
○	39	1/2"	5.6	RELIABLE KTR-CSS 1/2 QR 212 BRASS SPECIFIC APPLICATION UPRIGHT	on Sprig
⊗	6	1/2"	5.6	RELIABLE KTR-CSS 1/2 QR 212 BRASS SPECIFIC APPLICATION UPRIGHT	on Sprig
▲	3	1/2"	8.0	WCTAULIC VZ416 1/2 QR 200 WHITE EC NSM SMD VZ416	

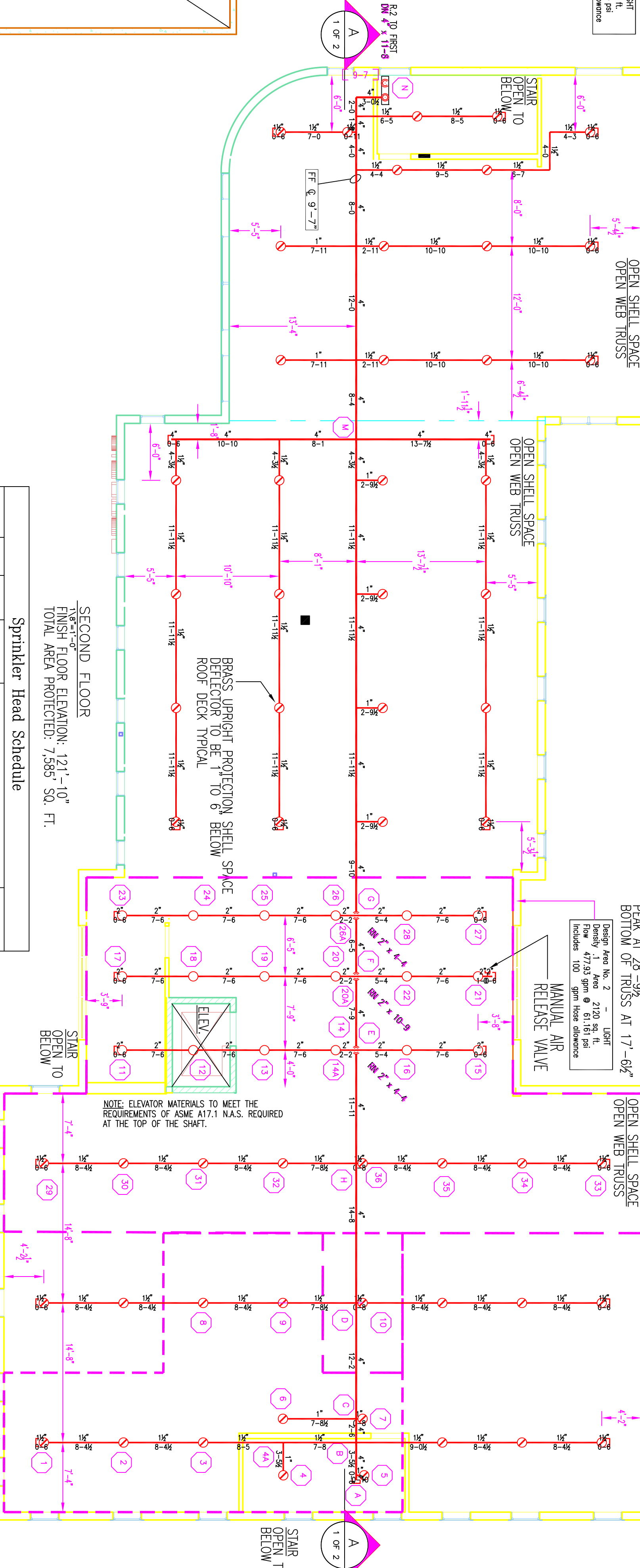
TDA = Total Number of Heads This Floor



Sprinkler Head Schedule

Symbol	Count	Thread	K-Factor	Description	Note
○	18	1/2"	5.6	WCTAULIC VZ704 1/2 QR 200 BRASS	on Line
○	57	1/2"	5.6	WCTAULIC VZ704 1/2 QR 200 BRASS	on Sprig

75 = Total Number of Heads This Floor

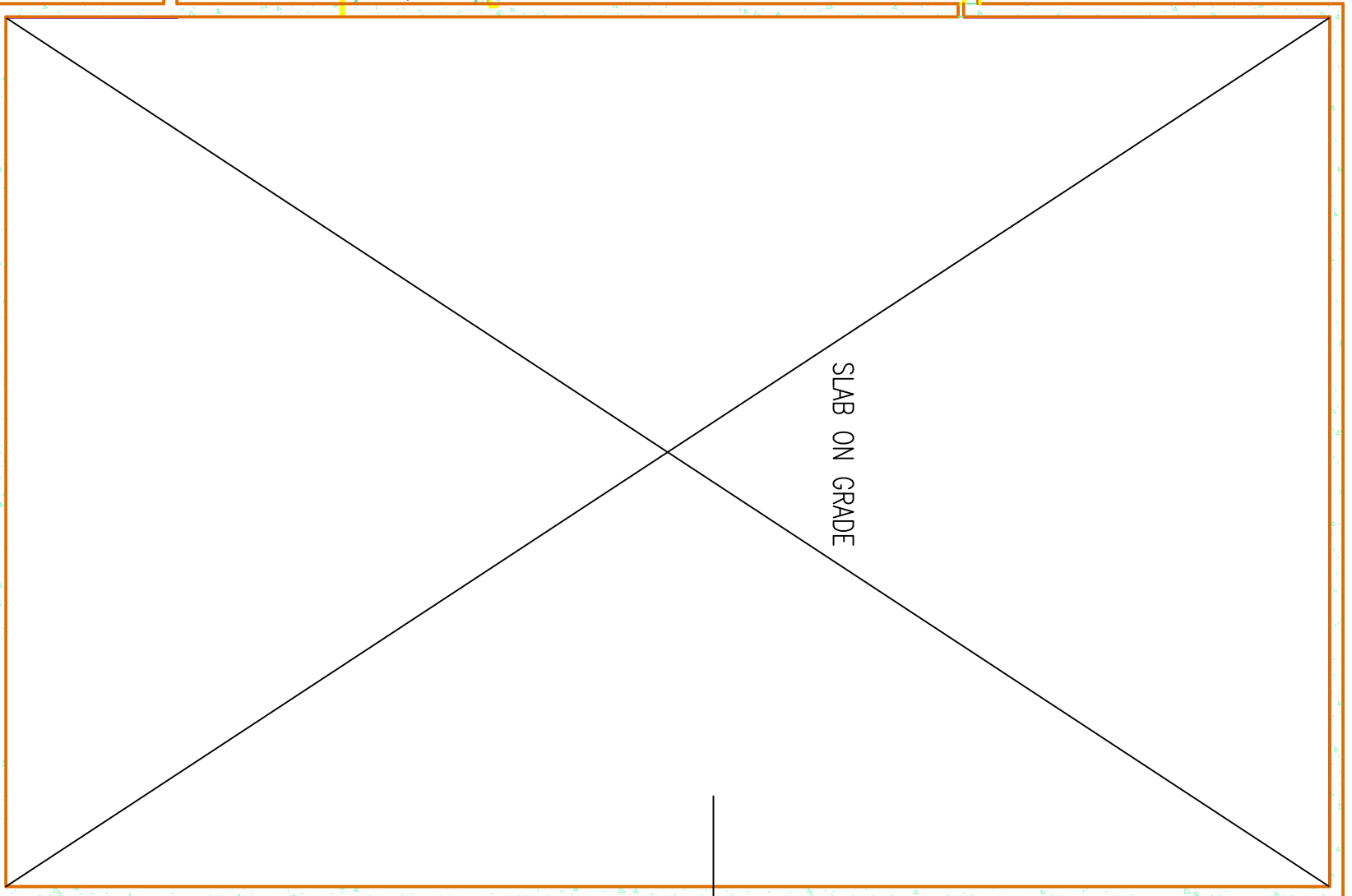


Sprinkler Head Schedule

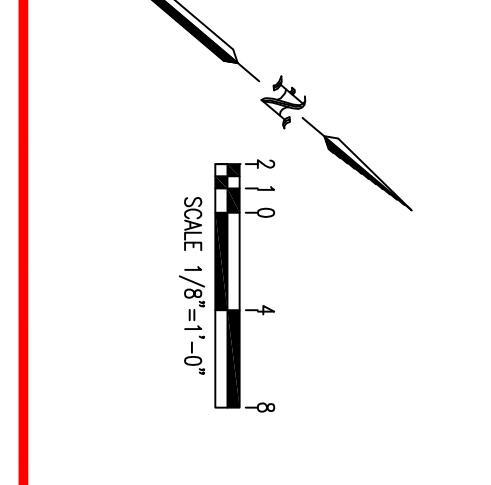
Symbol	Count	Thread	K-Factor	Description	Note
○	46	1/2"	5.6	WCTAULIC VZ704 1/2 QR 200 BRASS	on Line
○	27	1/2"	5.6	UPRIGHT SMD VZ704 1/2 QR 212 BRASS SPECIFIC APPLICATION UPRIGHT	on Sprig
◻	1	1/2"	5.6	WCTAULIC VZ710 1/2 QR 200 BRASS SPECIFIC APPLICATION UPRIGHT	

43 = Total Number of Heads This Floor

HYDRAULIC-SYSTEM	HYDRAULIC-SYSTEM	HYDRAULIC-SYSTEM
<p>THIS BUILDING IS PROTECTED BY A HYDRAULICALLY DESIGNED AUTOMATIC SPRINKLER SYSTEM</p> <p>LOCATION: AREA #1 SECOND FLOOR</p> <p>NO. OF SPRINKLERS: 10</p> <p>NO. OF SPRINKLERS MOST DEMANDING: 10</p> <p>NO. OF SPRINKLERS: 10</p>	<p>THIS BUILDING IS PROTECTED BY A HYDRAULICALLY DESIGNED AUTOMATIC SPRINKLER SYSTEM</p> <p>LOCATION: AREA #2 SECOND FLOOR</p> <p>NO. OF SPRINKLERS: 26</p> <p>NO. OF SPRINKLERS MOST DEMANDING: 26</p> <p>NO. OF SPRINKLERS: 26</p>	<p>THIS BUILDING IS PROTECTED BY A HYDRAULICALLY DESIGNED AUTOMATIC SPRINKLER SYSTEM</p> <p>LOCATION: AREA #3 FIRST FLOOR</p> <p>NO. OF SPRINKLERS: 8</p> <p>NO. OF SPRINKLERS MOST DEMANDING: 8</p> <p>NO. OF SPRINKLERS: 8</p>



ACCENDO
FIRE PROTECTION LLC
DESIGN/INSTALLATION SERVICE
38 ADDITION ROAD
GREENE, MAINE 04236
(207) 946-6182



- General Notes**
- All Pipe Locations are to be Field Measured Prior to Fabrication and Installation by Sprinkler Contractor.
 - All Dimensions Shown are Center to Center.
 - High Temperature Heads are to be Field Located Where Required.
 - All Pipes and Hangers are to be Installed per NFPA 413.
 - Hangers are to be U.L. Listed and P.M. Approved.

Symbols

Symbol	Description
○	Hydraulic Reference Point
—	3/4" x 1/8" x 1/8" Steel Hanger Location
○	Riser up or down

REVISION BLOCK

NO.	DATE	DESCRIPTION

Job:
BERDECS MOB
1945 CONGRESS STREET
PORTLAND, MAINE
Contractor:
ACCENDO FIRE PROTECTION LLC
38 ADDITION RD
GREENE, MAINE