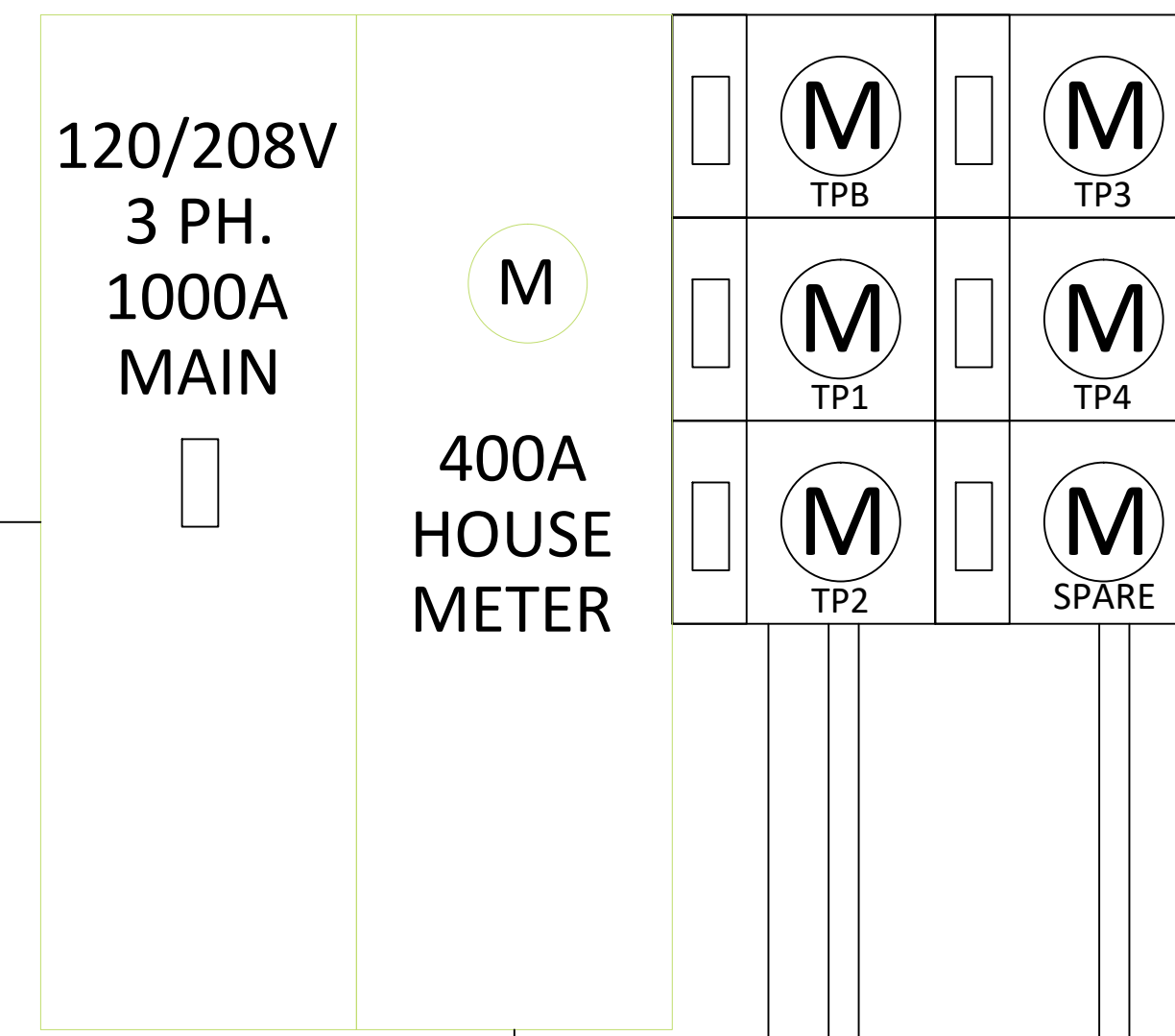


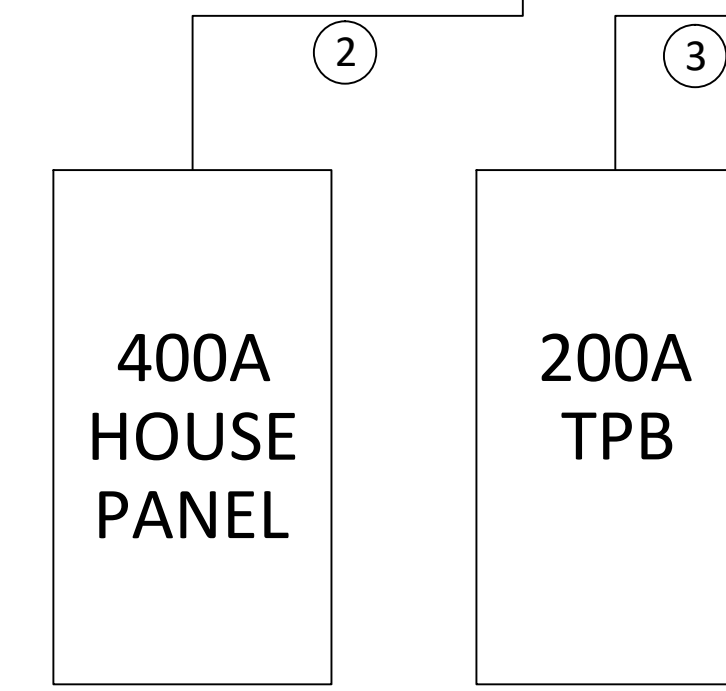
FEEDER TABLE			
TAG	AL CONDUCTORS	RACEWAY	AMPERE RATING
1	(4) #600KCM AL	(3) 4"	1000A
2	(4) #250KCM AL (1) #1 GND.	(2) 3"	400A
3	(4) #250KCM (1) #4 GND.	(1) 3"	200A

INCOMING FROM UTILITY

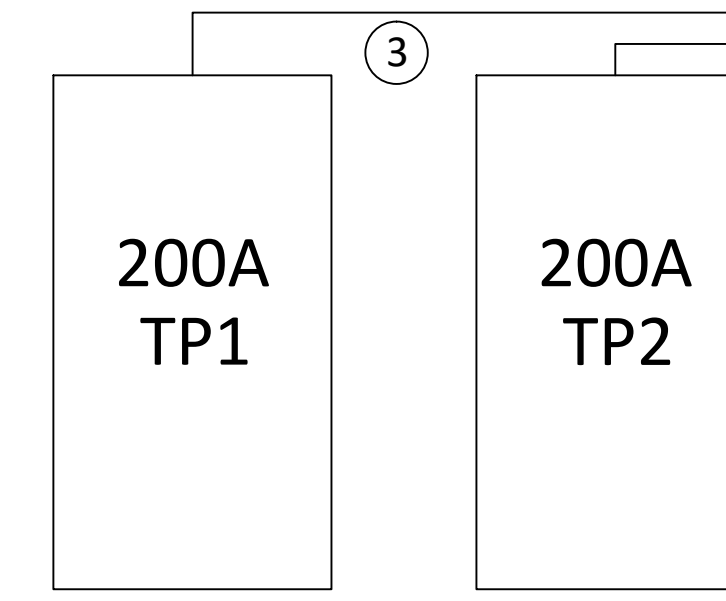
①



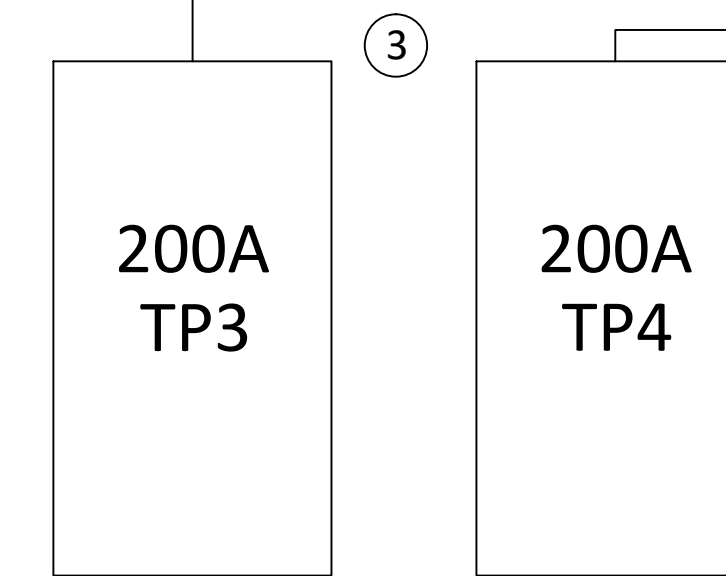
BASEMENT



1ST FLOOR



2ND FLOOR



B-H-Milliken
ELECTRICAL CONTRACTORS

235 PRESUMPCOT
STREET
PORTLAND, MAINE
04103
207.879.1877

MEDICAL OFFICES
DR. BEDECS
1945 CONGRESS STREET
PORTLAND, MAINE

TITLE:

DISTRIBUTION

REV: 12/15/17

SCALE: NTS

DATE: 5/22/17

SHEET:

E600