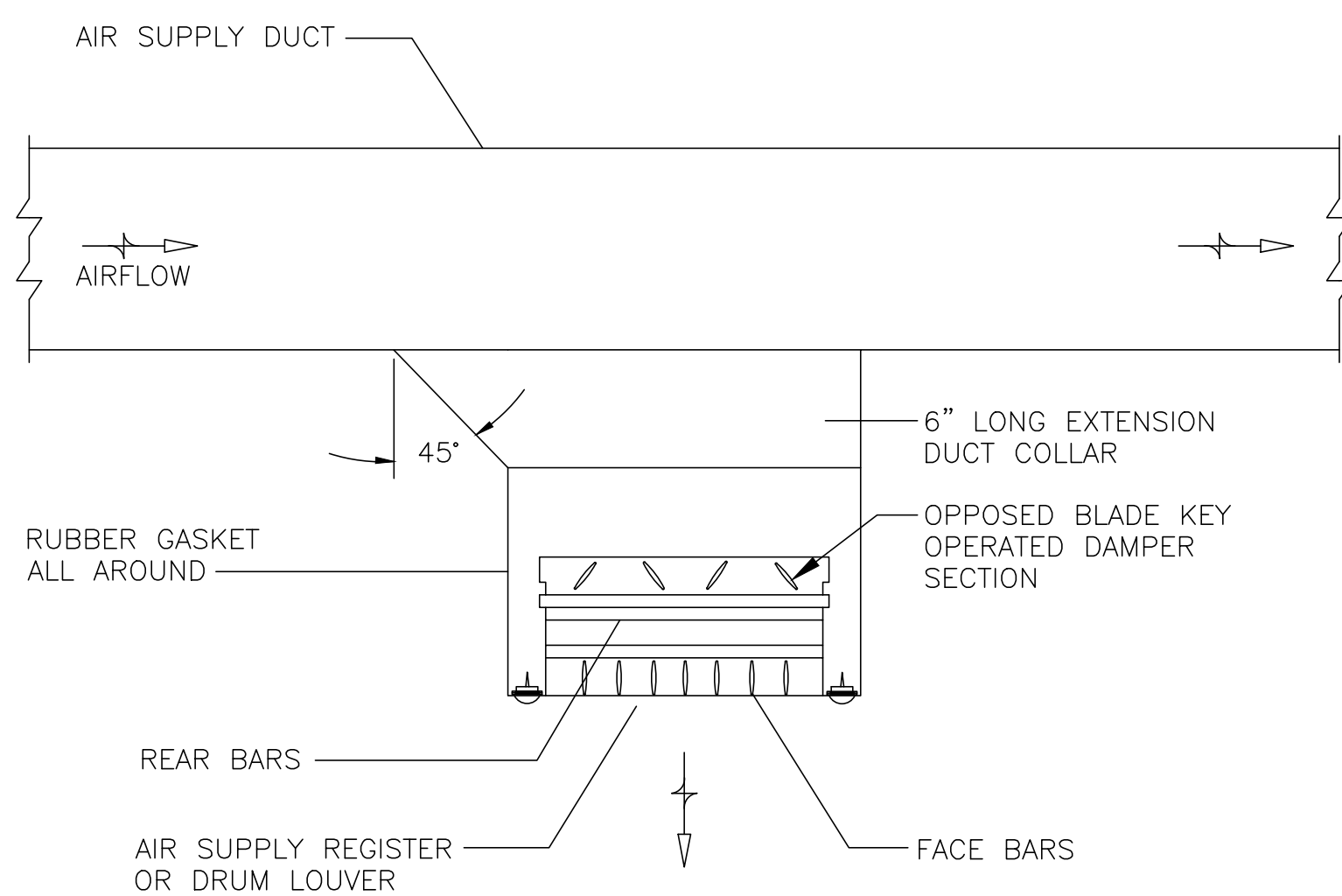
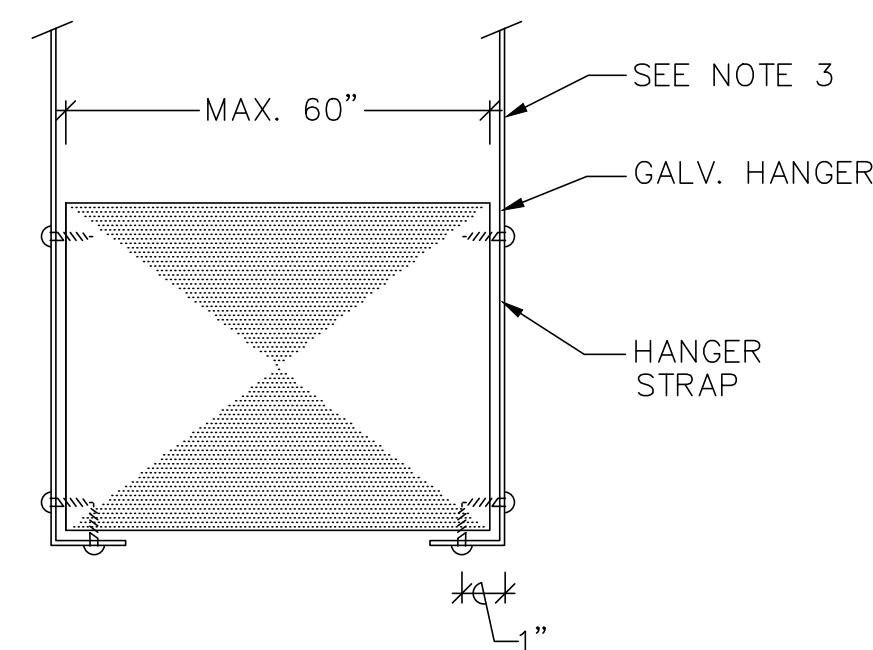


SUPPLY OR RETURN AIR DUCT CONNECTION DETAIL
SCALE: NONE

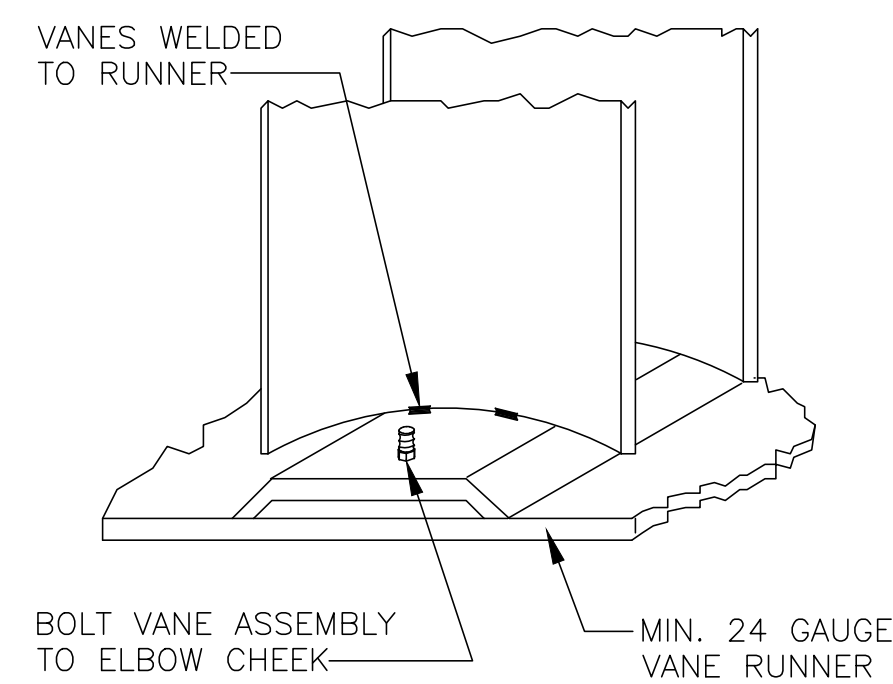


SUPPLY AIR REGISTER DETAIL
SCALE: NONE

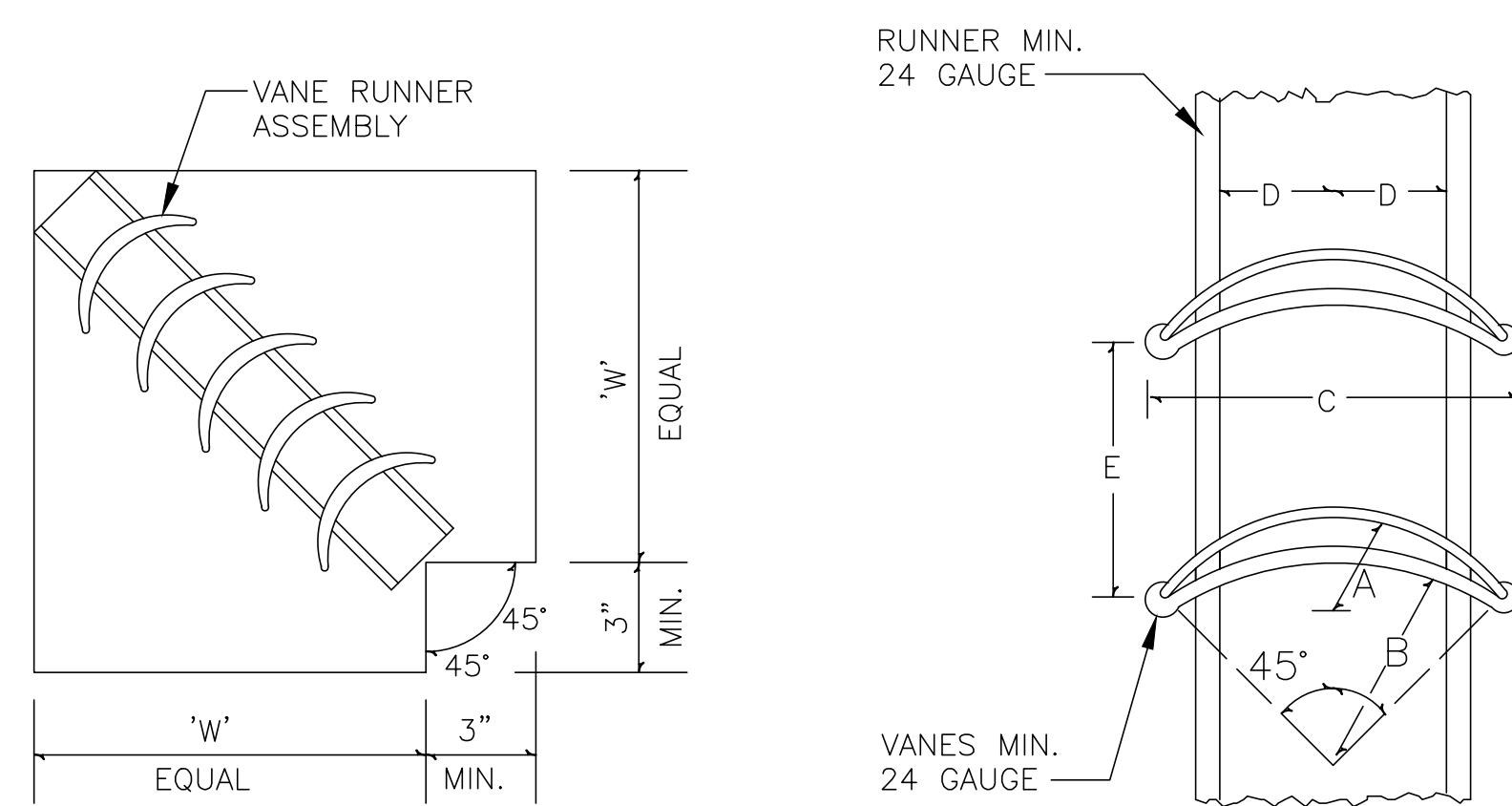


NOTES:
1. CUTTING AND PATCHING SHALL BE LIMITED TO A MINIMUM AS REQUIRED FOR PROPER INSTALLATION.
2. SUPPORTS SHALL BE SPACED AND SIZED AS PER SMACNA.

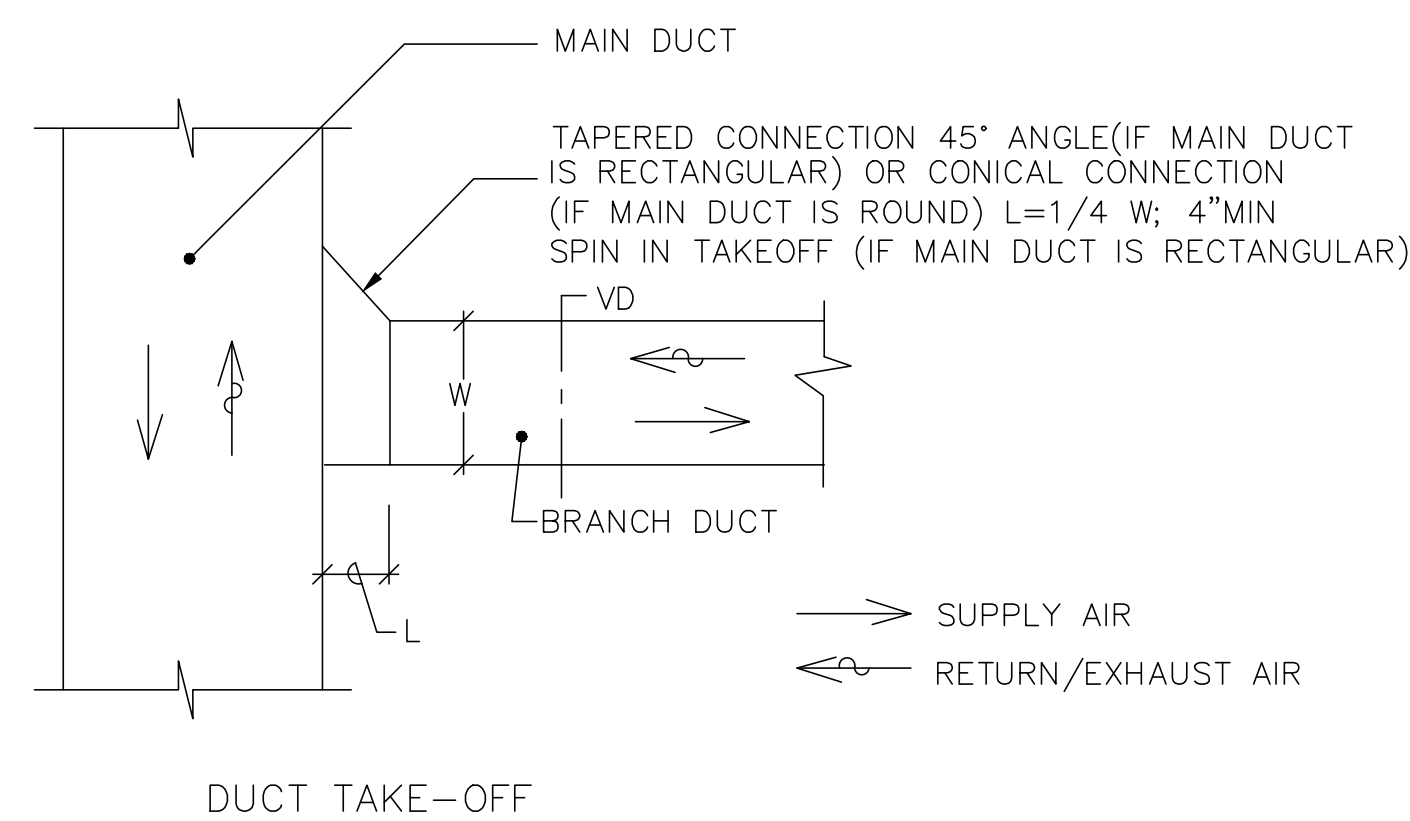
DUCT HANGER DETAIL
SCALE: NONE



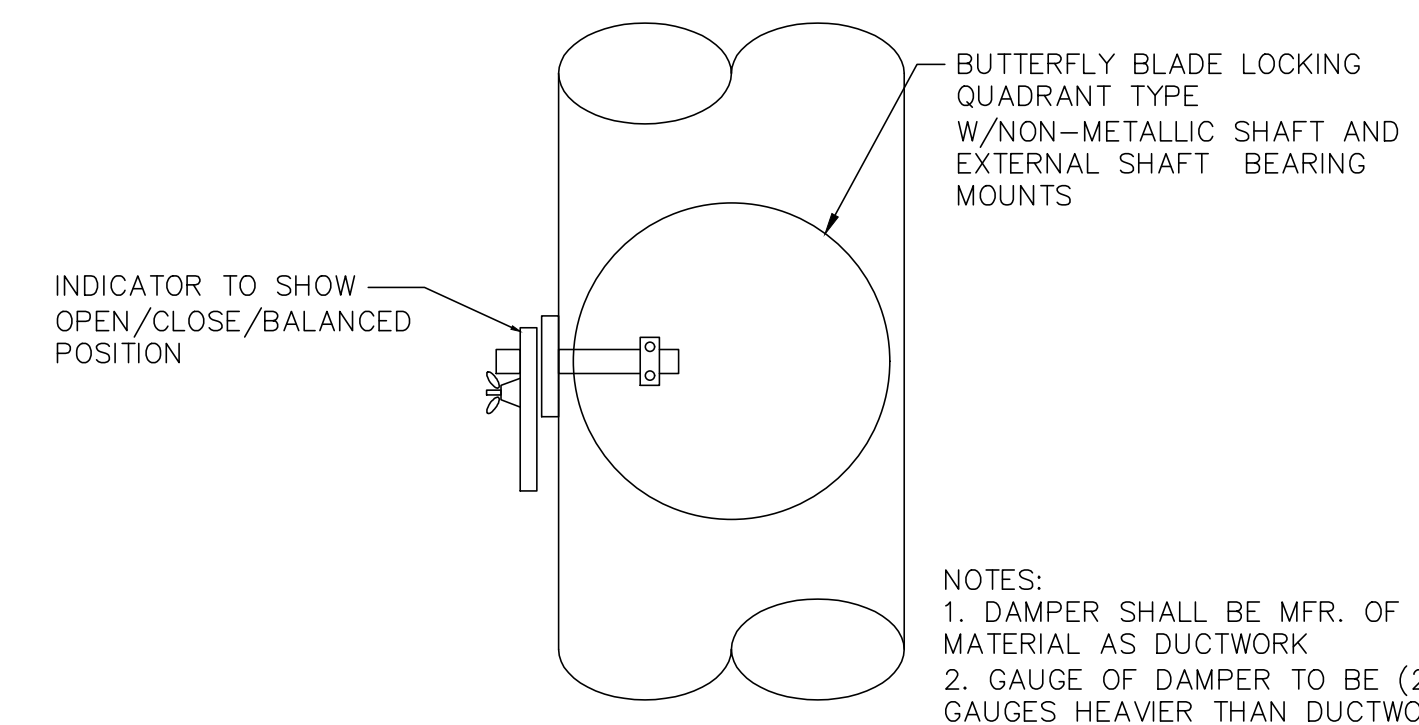
DIM.	'W' 20" & OVER	'W' 19" & UNDER
A	2-1/4" R	1" R
B	4-1/4" R	2" R
C	6-3/8"	2-7/8"
D	2-1/4"	1-1/8"
E	3-1/4"	2-1/8"



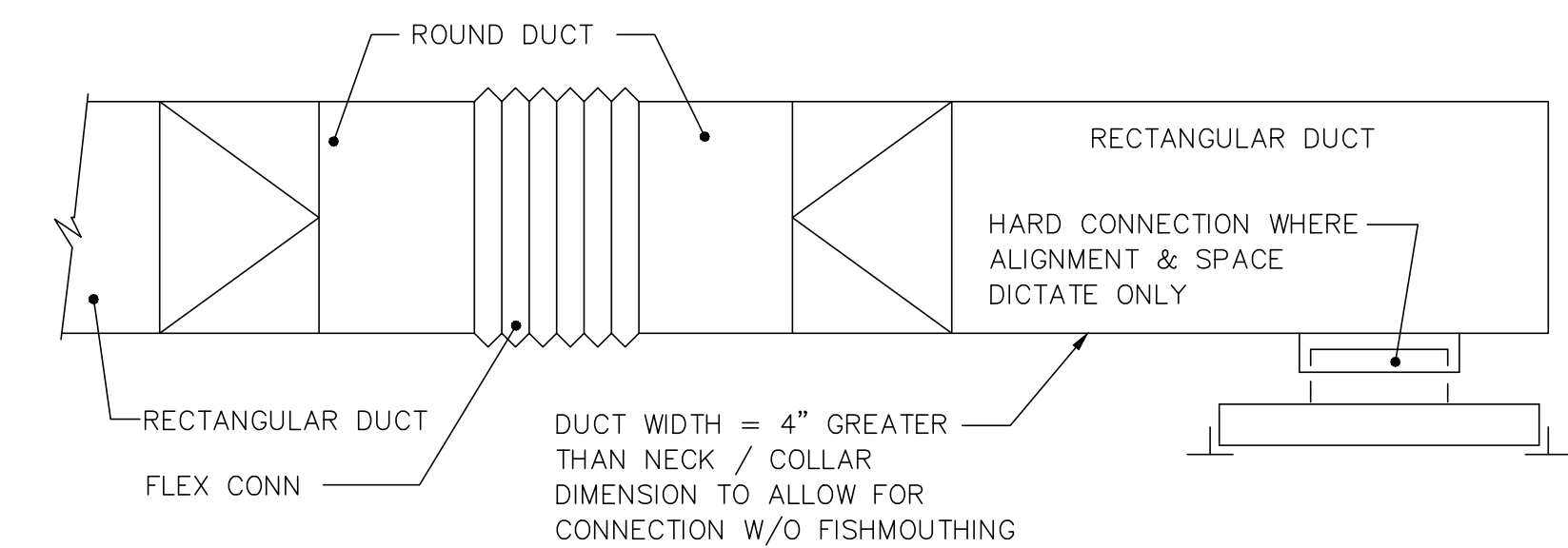
VANED ELBOW DETAIL
SCALE: NONE



BRANCH TAKE-OFFS
SCALE: NONE



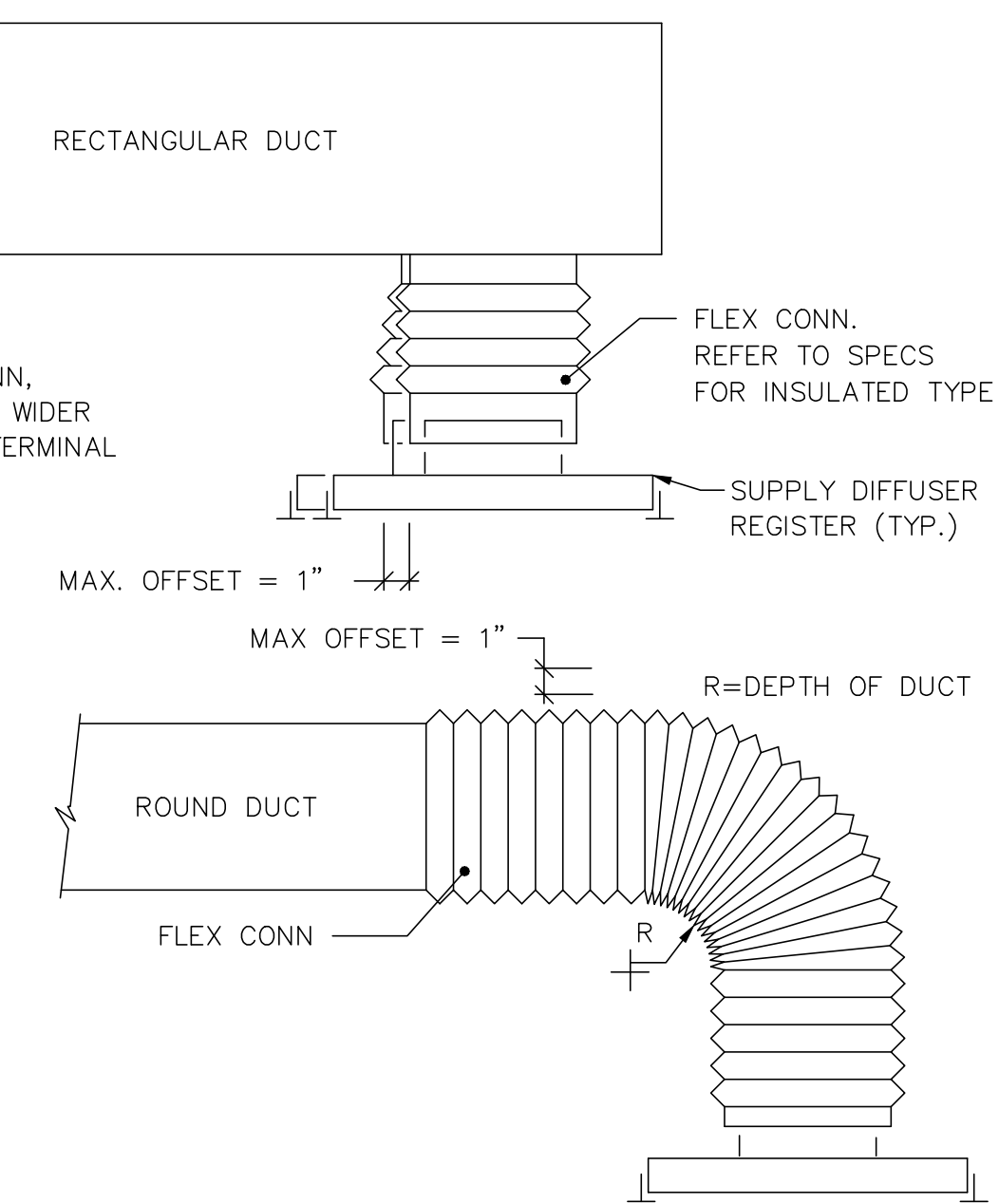
ROUND VOLUME DAMPER DETAIL
SCALE: NONE



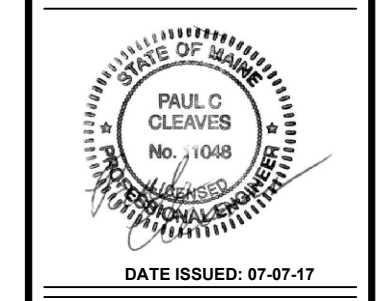
WHEN HEIGHT DOES NOT ALLOW FLEX CONN, HARD-DUCT BUT BE SURE BRANCH IS 4" WIDER THAN COLLAR TO ALLOW ALIGNMENT OF TERMINAL WITHIN GRID WITHOUT FISHMOUTHING.

NOTES:
1. THESE DETAILS ALLOW DUCTWORK TO BE PROVIDED BEFORE CEILING GRID IS INSTALLED THEN DIFFUSER/REGISTER CAN BE POSITIONED INTO GRID.
2. PROVIDE INSULATED TRANSITION ROUND TO SQUARE IF REQUIRED AT DIFFUSER.
3. PROVIDE NYLON TY-WRAP TOOL OR REUSABLE SS DRAW BAND PER SPECS.
4. FLEX DUCT SHALL NOT HAVE MORE THAN 1/2" SAG PER FOOT.
5. LENGTH OF FLEX DUCT SHALL NOT EXCEED 6'-0".
6. PROVIDE DUCT MOUNTED VOLUME DAMPER WHENEVER POSSIBLE. TRY TO AVOID NECK DAMPERS.

TYPICAL DIFFUSER/REGISTER CONNECTION
SCALE: NONE



AirTemp Inc.
20 Thomas Drive
Westbrook, Maine



COMFORT USA
SYSTEMS, Inc.
AirTemp, Inc.

ELKS LODGE
PORTLAND, MAINE

CLIENT
DATE
DRWN BY BRL
CHK'D BY
DATE JULY 07, 2017
SHEET TITLE
HVAC DETAILS

SCALE
N.T.S.

DRAWING
M-2

01 ISSUED FOR REVIEW 07-07-17