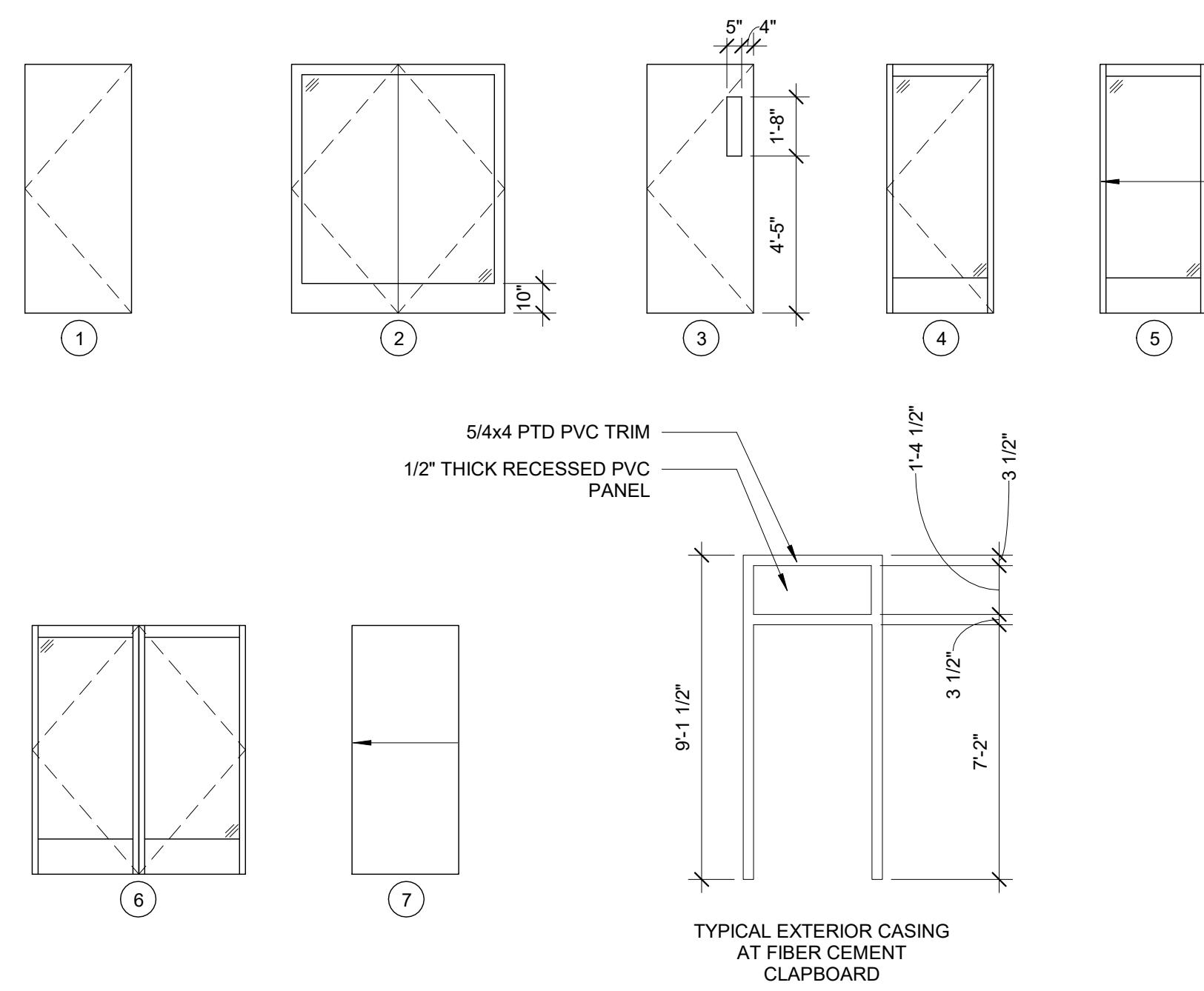


DOOR SCHEDULE

DOOR No.	LOCATION	DOOR				FRAME				OPER.	SWEEP	CL.	REMARKS		
		W	H	THCK	TYPE	MAT'L	FINISH	THRESHOL D	MAT'L					FINISH	
FIRST FLOOR PLAN															
01	VESTIBULE	6'-0"	7'-0"		2	AL		ALUM	STOREFRONT		-	ENTR	Yes	Yes	
02	MUD ROOM	3'-0"	8'-5"	1 3/4"	4	I.G.	PTD	ALUM	HM	PTD	-	EXIT	Yes	Yes	PROVIDE EGRESS DOOR HARDWARE, TYP CLAPBOARD TRIM
03	SPRINKLER ROOM	3'-0"	7'-0"	1 3/4"	1	I.G.	PTD	ALUM	HM	PTD	-	STOR	Yes	Yes	TYP CLAPBOARD TRIM
04	ELECTRICAL ROOM	3'-0"	7'-0"	1 3/4"	1	I.G.	PTD	ALUM	HM	PTD	-	STOR	Yes	Yes	TYP CLAPBOARD TRIM
05	MEETING	3'-0"	7'-0"	1 3/4"	3	I.G.	PTD	ALUM	HM	PTD	-	EXIT	Yes	Yes	PROVIDE EGRESS DOOR HARDWARE
06	ELECTRICAL ROOM	3'-0"	7'-0"	1 3/4"	1	HM	PTD	ALUM	HM	PTD	60 MIN.	STOR	Yes	Yes	
07	SPRINKLER ROOM	3'-0"	7'-0"	1 3/4"	1	HM	PTD	ALUM	HM	PTD	60 MIN.	STOR	Yes	Yes	
101	RECEPTION/WAITING	6'-0"	8'-5"	1 3/4"	2	GLASS	-	ALUM	STOREFRONT	-	-	PASSAGE	Yes	Yes	
104	RECEPTION/WAITING	3'-0"	8'-5"	1 3/4"	1	GLASS	-	ALUM	HM	PTD	-	PASSAGE	Yes	Yes	
104A	MEETING	3'-0"	8'-5"	1 3/4"	4	GLASS	-	ALUM	STOREFRONT	BRUSHED	-	PASSAGE	Yes	Yes	
105	CHAIR/TABLE STORAGE	3'-0"	8'-0"	1 3/4"	7	WOOD	-								BARN DOOR
106	W.C.	3'-0"	7'-0"	1 3/4"	1	WOOD	-								
109	MEETING	3'-0"	8'-5"	1 3/4"	4	GLASS	-	ALUM	STOREFRONT	BRUSHED	-	PASSAGE	Yes	Yes	
110	MEETING	3'-0"	8'-5"	1 3/4"	4	GLASS	-	ALUM	STOREFRONT	BRUSHED	-	PASSAGE	Yes	Yes	
111	MEETING	3'-0"	8'-5"	1 3/4"	4	GLASS	-	ALUM	STOREFRONT	BRUSHED	-	PASSAGE	Yes	Yes	
115	WOMEN	3'-0"	7'-0"	1 3/4"	1	WOOD	-	ALUM	HM	PTD	-	PASSAGE	Yes	Yes	
116	JANITOR	3'-0"	7'-0"	1 3/4"	1	WOOD	-	ALUM	HM	PTD	-	STOR	Yes	Yes	
117	MEN	3'-0"	7'-0"	1 3/4"	1	WOOD	-	ALUM	HM	PTD	-	PASSAGE	Yes	Yes	
118	SOLO	3'-0"	8'-5"	1 1/2"	5	GLASS	-	ALUM	STOREFRONT	BRUSHED	-	PASSAGE	Yes	Yes	
119	HUDDLE	3'-0"	8'-5"	1 1/2"	5	GLASS	-	ALUM	STOREFRONT	BRUSHED	-	PASSAGE	Yes	Yes	
120	HUDDLE	3'-0"	8'-5"	1 1/2"	5	GLASS	-	ALUM	STOREFRONT	BRUSHED	-	PASSAGE	Yes	Yes	
121	SOLO	3'-0"	8'-5"	1 1/2"	5	GLASS	-	ALUM	STOREFRONT	BRUSHED	-	PASSAGE	Yes	Yes	
123	OFFICE	3'-0"	8'-5"	1 1/2"	5	GLASS	-	ALUM	STOREFRONT	BRUSHED	-	OFFICE	Yes	Yes	
124	HUDDLE	3'-0"	8'-5"	1 1/2"	5	GLASS	-	ALUM	STOREFRONT	BRUSHED	-	PASSAGE	Yes	Yes	
125	OFFICE	3'-0"	8'-5"	1 1/2"	5	GLASS	-	ALUM	STOREFRONT	BRUSHED	-	OFFICE	Yes	Yes	
128	SOLO	3'-0"	8'-5"	1 1/2"	5	GLASS	-	ALUM	STOREFRONT	BRUSHED	-	PASSAGE	Yes	Yes	
129	SOLO/LACTATION	3'-0"	8'-5"	1 1/2"	5	GLASS	-	ALUM	STOREFRONT	BRUSHED	-	PASSAGE	Yes	Yes	
130	IT SERVER	3'-0"	8'-5"	1 3/4"	1	WOOD	-	ALUM	HM	PTD	-	STOR	Yes	Yes	
131	CORRIDOR	3'-0"	8'-5"	1 1/2"	5	GLASS	-	ALUM	STOREFRONT	BRUSHED	-	PASSAGE	Yes	Yes	
132	TRAINING	3'-0"	8'-5"	1 3/4"	1	GLASS	-	ALUM	STOREFRONT	BRUSHED	-	PASSAGE	Yes	Yes	
132A	CORRIDOR	3'-0"	8'-5"	1 3/4"	1	WOOD	-	ALUM	STOREFRONT	BRUSHED	-	PASSAGE	Yes	Yes	
133	CORRIDOR	3'-0"	8'-5"	1 3/4"	1	WOOD	-	ALUM	HM	PTD	-	PASSAGE	Yes	Yes	
133A	STORAGE	3'-0"	8'-0"	1 3/4"	7	WOOD	-								BARN DOOR
134	BREAKOUT	3'-0"	8'-5"	1 1/2"	5	GLASS	-	ALUM	STOREFRONT	BRUSHED	-	PASSAGE	Yes	Yes	
135	COLLAB-CAFE	3'-0"	8'-5"	1 1/2"	5	ALUM	-	ALUM	STOREFRONT	BRUSHED	-	PASSAGE	Yes	Yes	
136	MUD ROOM	3'-0"	8'-5"	1 3/4"	4	GLASS	-	ALUM	STOREFRONT	BRUSHED	-	PASSAGE	Yes	Yes	
136A	MUD ROOM	3'-0"	8'-5"	1 3/4"	4	GLASS	-	ALUM	STOREFRONT	BRUSHED	-	PASSAGE	Yes	Yes	
137	FITNESS ROOM	3'-0"	8'-5"	1 3/4"	4	GLASS	-	ALUM	STOREFRONT	BRUSHED	-	PASSAGE	Yes	Yes	
138	FITNESS ROOM	3'-0"	7'-0"	1 3/4"	1	WOOD	-	ALUM	HM	PTD	-	PASSAGE	Yes	Yes	
139	FITNESS ROOM	3'-0"	7'-0"	1 3/4"	1	WOOD	-	ALUM	HM	PTD	-	PASSAGE	Yes	Yes	



1 | LEAF TYPES
1/4" = 1'-0"

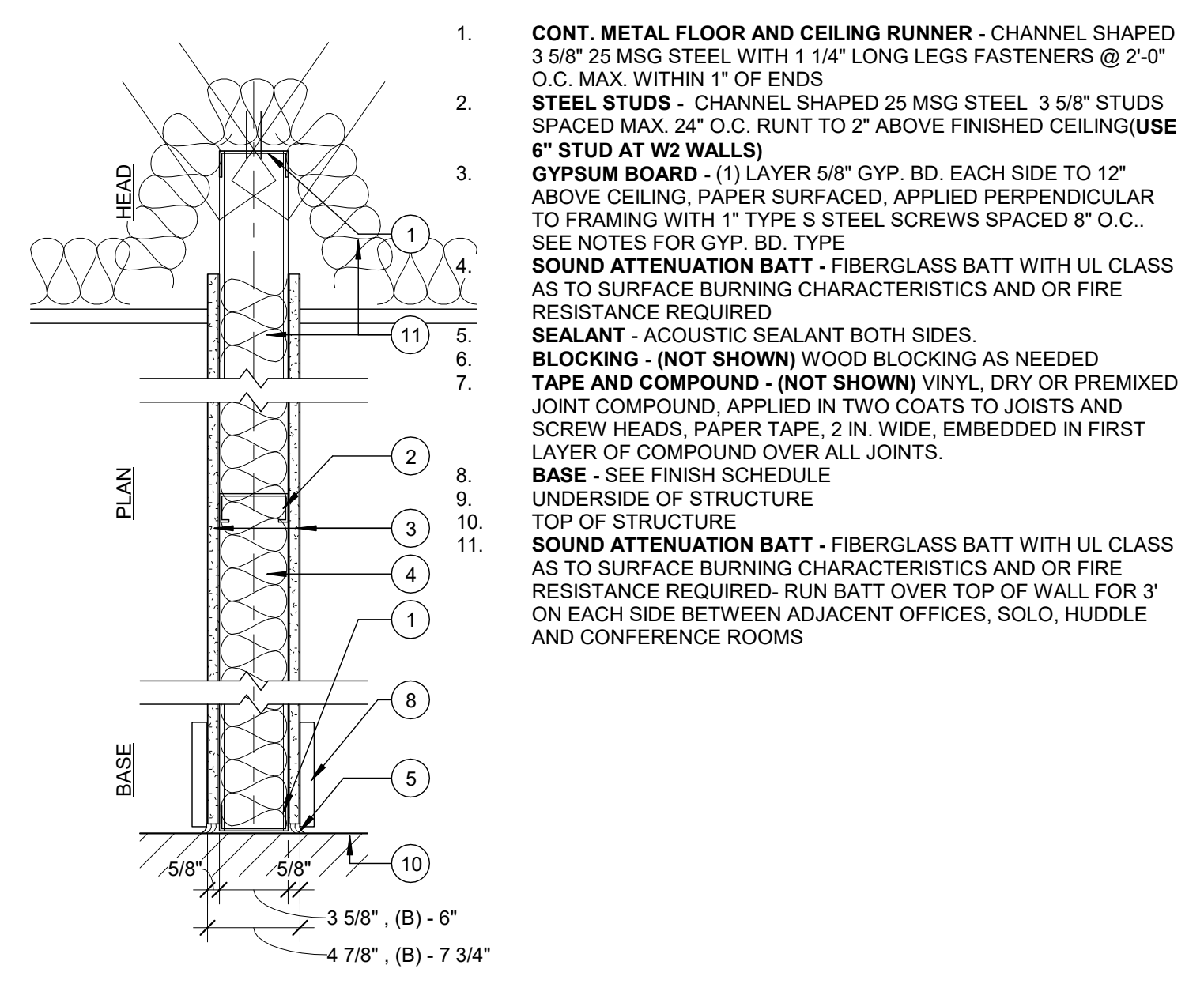
SEE ID DRAWINGS FOR STOREFRONT ELEVATIONS

NOTES

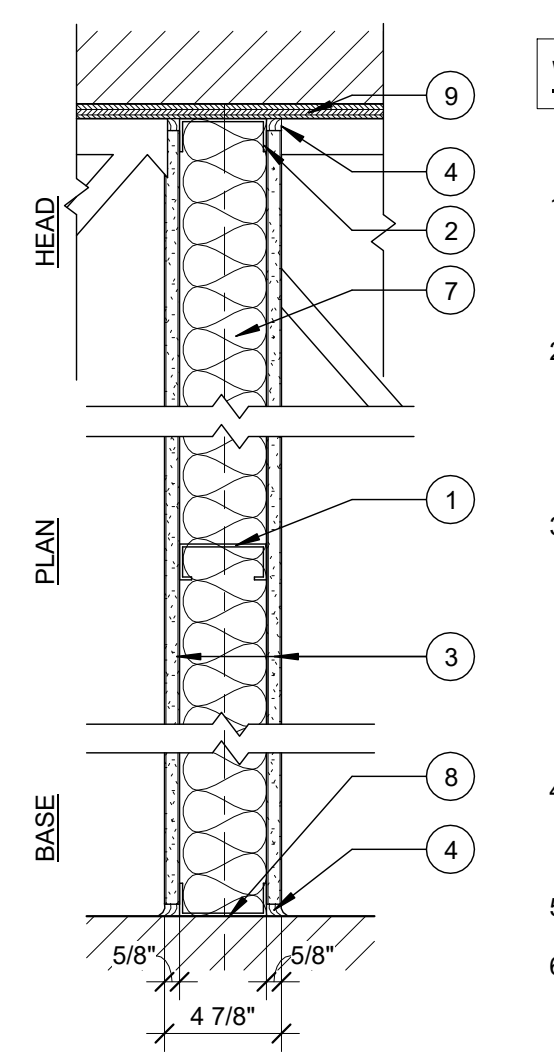
- ALL RATED DOORS TO HAVE CLOSERS, SMOKE SEALS, AND DOOR SWEEPS
- ALL EXTERIOR DOORS TO HAVE CLOSERS, WEATHERSTRIPPING, AND DOOR SWEEPS
- ALL DOORS ARE TO BE PAINT-GRADE, U.N.O.

W1	W2
3 5/8"	6"

NON-RATED NON-BEARING ACOUSTICAL PARTITION
DESIGN NUMBER - N/A



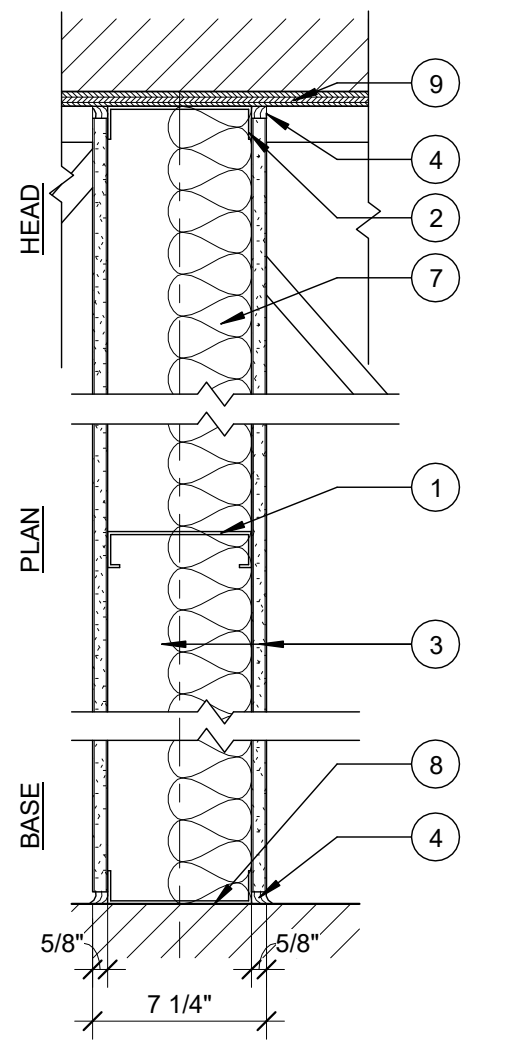
2 | WALL TYPE 1 & 2
1 1/2" = 1'-0"



3 | WALL TYPE 3
1 1/2" = 1'-0"

W3 | NON-RATED NON-BEARING ACOUSTICAL PARTITION

- STUDS** - CHANNEL-SHAPED, MIN 3-5/8" WIDE BY 1-1/4" DEEP WITH 5/16" FOLDED BACK RETURN FLANGE LEGS. FABRICATED FROM NO. 25 MSG GALV STEEL. MAX STUD SPACING 24" O.C. STUDS TO BE CUT 1" LESS THAN ASSEMBLY HEIGHT.
- CEILING RUNNER** - CHANNEL-SHAPED TOP TRACK, MIN. 3 5/8" WIDE BY 1 1/4" DEEP, FABRICATED FROM NO. 20 MSG GALV STEEL. TOP TRACK SITS INSIDE VERTICALLY SLOTTED HEAD TRACK, ATTACHED TO CEILING WITH FASTENERS, 24" O.C. MAX. GYPSUM AND VERTICAL STUDS FASTENED TO TOP TRACK ONLY
- TYPE X GYPSUM BOARD** - (1) LAYER PROPRIETARY 5/8" TYPE X GYP. BD. EACH SIDE. APPLIED PERPENDICULAR TO STUDS WITH 1" TYPE S DRYWALL SCREWS 8" O.C. AT VERT. JNTS AND INTERMEDIATE STUDS AND 12" O.C. AT TOP AND BOTTOM RUNNER. SEE NOTES FOR GYP. BD. TYPE (STAGGER GYP. BD. JNTS 24" ON NON-FURRED SIDE.) SEAL GYP BOARD TO TRUSS WITH FIRE CAULKING. **USE TYPE MRX GYP BD AT TOILET/LOCKER ROOMS.**
- CAULKING AND SEALANTS** - A BEAD OF ACOUSTICAL SEALANT APPLIED AROUND THE PARTITION PERIMETER FOR SOUND CONTROL, BOTH SIDES OF WALL.
- BLOCKING - (NOT SHOWN)** WOOD BLOCKING AS NEEDED
- TAPE AND COMPOUND - (NOT SHOWN)** VINYL DRY OR PREMIXED JOINT COMPOUND, APPLIED IN TWO COATS TO JOISTS AND SCREW HEADS, PAPER TAPE, 2 IN. WIDE, EMBEDDED IN FIRST LAYER OF COMPOUND OVER ALL JOINTS.
- SAFE SOUND INSULATION**
- FLOOR RUNNER** - CHANNEL-SHAPED RUNNERS, MIN. 3 5/8" WIDE W/ DEEP LEGS, FABRICATED FROM NO. 20 MSG GALV STEEL. ATTACHED TO FLOOR WITH FASTENERS, 24" O.C. MAX.

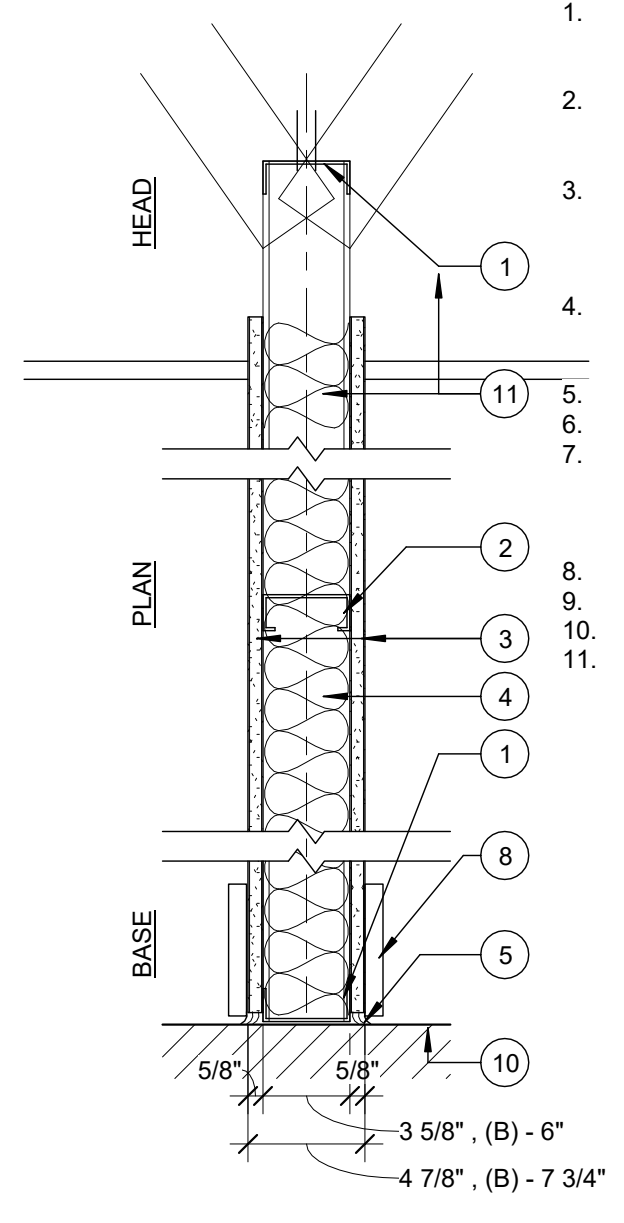


4 | WALL TYPE 4
1 1/2" = 1'-0"

W4 | NON-RATED NON-BEARING ACOUSTICAL PARTITION

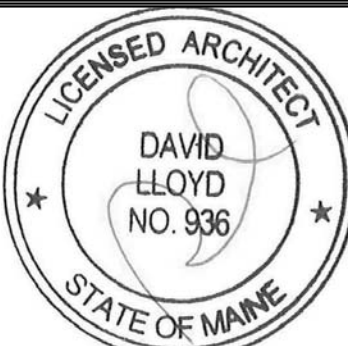
- STUDS** - CHANNEL-SHAPED, MIN 6" WIDE BY 1-1/4" DEEP WITH 5/16" FOLDED BACK RETURN FLANGE LEGS. FABRICATED FROM NO. 25 MSG GALV STEEL. MAX STUD SPACING 24" O.C. STUDS TO BE CUT 1" LESS THAN ASSEMBLY HEIGHT.
- CEILING RUNNER** - CHANNEL-SHAPED TOP TRACK, MIN. 6" WIDE BY 1 1/4" DEEP, FABRICATED FROM NO. 20 MSG GALV STEEL. TOP TRACK SITS INSIDE VERTICALLY SLOTTED HEAD TRACK, ATTACHED TO CEILING WITH FASTENERS, 24" O.C. MAX. GYPSUM AND VERTICAL STUDS FASTENED TO TOP TRACK ONLY
- TYPE X GYPSUM BOARD** - (1) LAYER PROPRIETARY 5/8" TYPE X GYP. BD. EACH SIDE. APPLIED PERPENDICULAR TO STUDS WITH 1" TYPE S DRYWALL SCREWS 8" O.C. AT VERT. JNTS AND INTERMEDIATE STUDS AND 12" O.C. AT TOP AND BOTTOM RUNNER. SEE NOTES FOR GYP. BD. TYPE (STAGGER GYP. BD. JNTS 24" ON NON-FURRED SIDE.) SEAL GYP BOARD TO TRUSS WITH FIRE CAULKING. **USE TYPE MRX GYP BD AT TOILET/LOCKER ROOMS.**
- CAULKING AND SEALANTS** - A BEAD OF ACOUSTICAL SEALANT APPLIED AROUND THE PARTITION PERIMETER FOR SOUND CONTROL, BOTH SIDES OF WALL.
- BLOCKING - (NOT SHOWN)** WOOD BLOCKING AS NEEDED
- TAPE AND COMPOUND - (NOT SHOWN)** VINYL DRY OR PREMIXED JOINT COMPOUND, APPLIED IN TWO COATS TO JOISTS AND SCREW HEADS, PAPER TAPE, 2 IN. WIDE, EMBEDDED IN FIRST LAYER OF COMPOUND OVER ALL JOINTS.
- SAFE SOUND INSULATION**
- FLOOR RUNNER** - CHANNEL-SHAPED RUNNERS, MIN. 6" WIDE W/ DEEP LEGS, FABRICATED FROM NO. 20 MSG GALV STEEL. ATTACHED TO FLOOR WITH FASTENERS, 24" O.C. MAX.
- ROOF SHEATHING ON WOOD TRUSS** - REFERENCE WALL AND BUILDING SECTIONS FOR ADD'L ROOF INFORMATION.

W5	W6
3 5/8"	6"



5 | WALL TYPE 5 & 6
1 1/2" = 1'-0"

- CONT. METAL FLOOR AND CEILING RUNNER** - CHANNEL SHAPED 3 5/8" 25 MSG STEEL WITH 1 1/4" LONG LEGS FASTENERS @ 2'-0" O.C. MAX. WITHIN 1" OF ENDS
- STEEL STUDS** - CHANNEL SHAPED 25 MSG STEEL. 3 5/8" STUDS SPACED MAX. 24" O.C. RUN TO 2" ABOVE FINISHED CEILING (USE 6" STUD AT W2 WALLS)
- GYPSUM BOARD** - (1) LAYER 5/8" GYP. BD. EACH SIDE TO 12" ABOVE CEILING, PAPER SURFACED, APPLIED PERPENDICULAR TO FRAMING WITH 1" TYPE S STEEL SCREWS SPACED 8" O.C.. SEE NOTES FOR GYP. BD. TYPE
- SOUND ATTENUATION BATT** - FIBERGLASS BATT WITH UL CLASS AS TO SURFACE BURNING CHARACTERISTICS AND OR FIRE RESISTANCE REQUIRED
- SEALANT** - ACOUSTIC SEALANT BOTH SIDES.
- BLOCKING - (NOT SHOWN)** WOOD BLOCKING AS NEEDED
- TAPE AND COMPOUND - (NOT SHOWN)** VINYL DRY OR PREMIXED JOINT COMPOUND, APPLIED IN TWO COATS TO JOISTS AND SCREW HEADS, PAPER TAPE, 2 IN. WIDE, EMBEDDED IN FIRST LAYER OF COMPOUND OVER ALL JOINTS.
- BASE** - SEE FINISH SCHEDULE
- UNDERSIDE OF STRUCTURE**
- TOP OF STRUCTURE**
- SOUND ATTENUATION BATT** - FIBERGLASS BATT WITH UL CLASS AS TO SURFACE BURNING CHARACTERISTICS AND OR FIRE RESISTANCE REQUIRED.



Prepared For:
NORTHLAND MANAGEMENT
P.O. Box 7486
Portland, ME 04112

Consultant:
ARCHETYPE architects
48 Union Wharf Portland, Maine 04101
(207) 772-0022 ARCHETYPE@ARCHETYPEPA.COM

Architect:
CLARK INSURANCE
1945 CONGRESS ST
PORTLAND, ME 04102

Project:

Revisions:

Date: Jan 19 2017
As indicated

DOOR SCHEDULE & WALL TYPES

A8.01