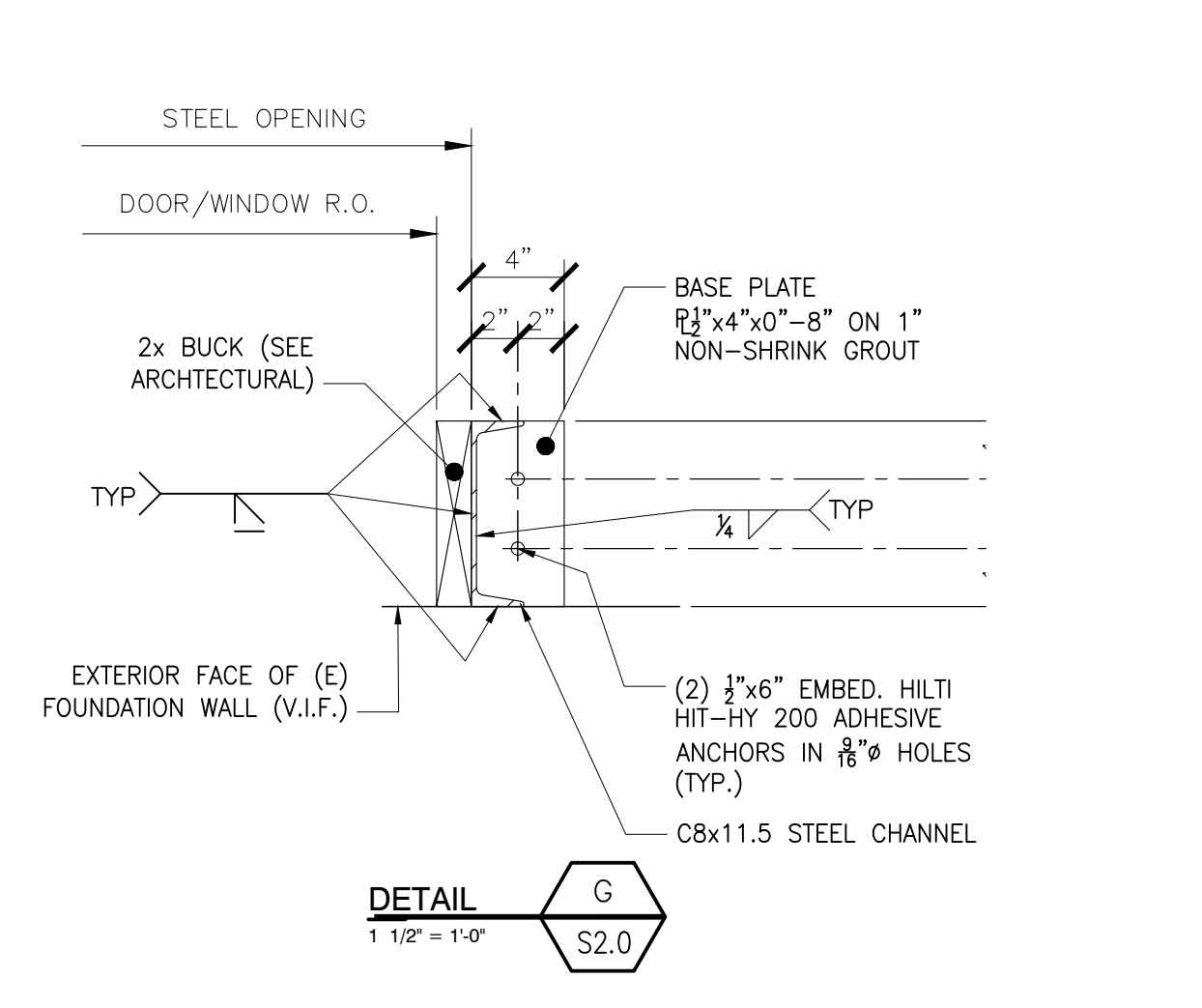
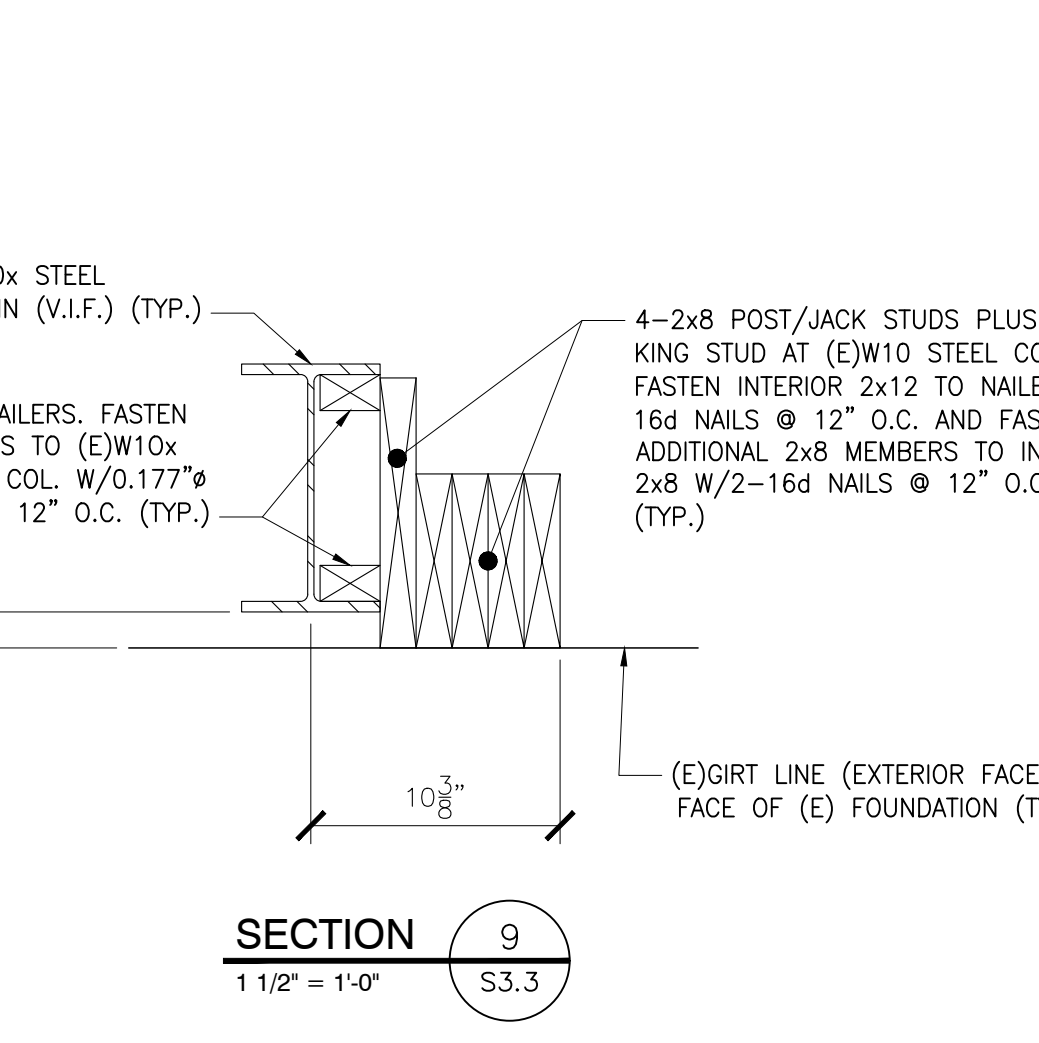
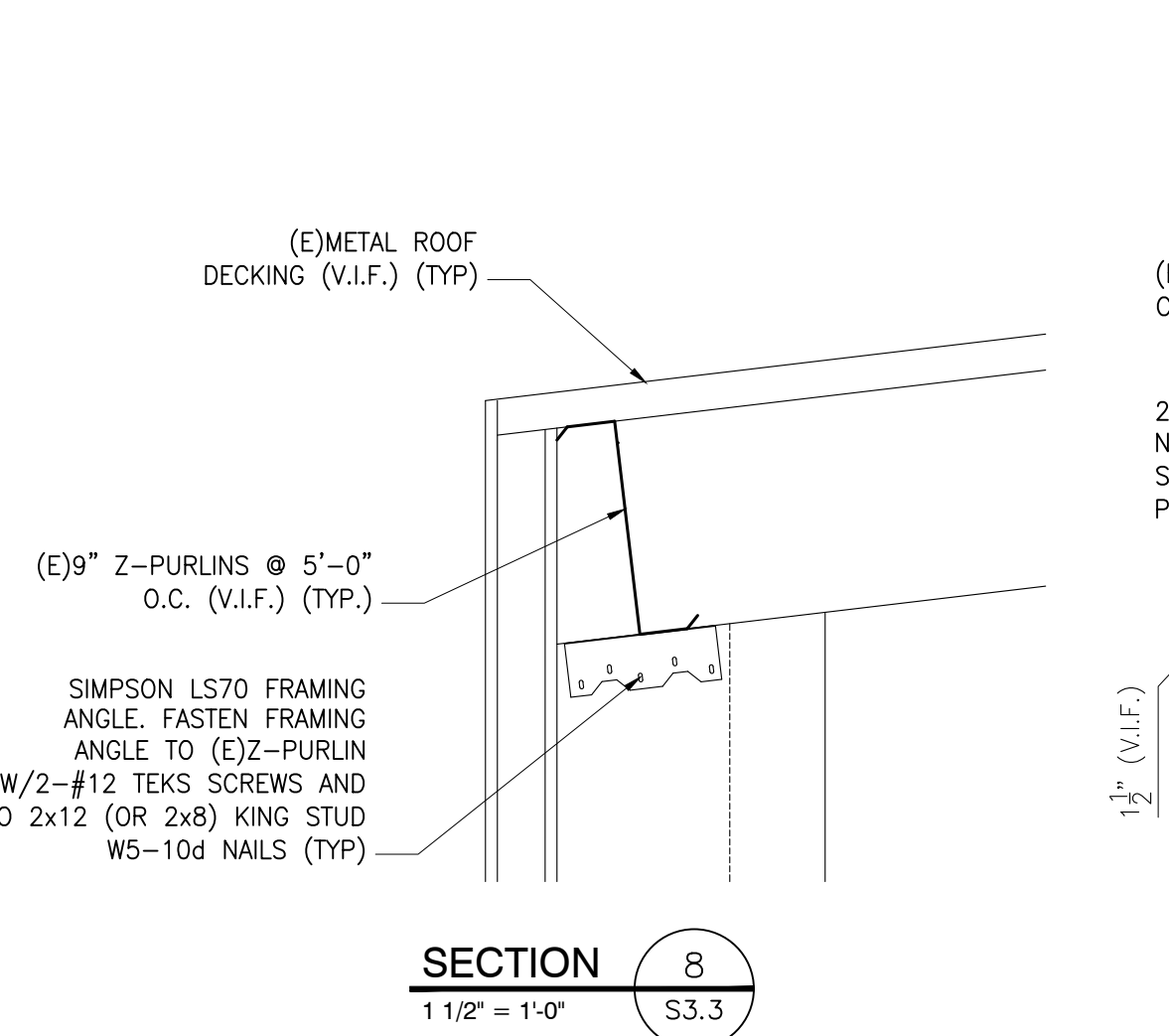
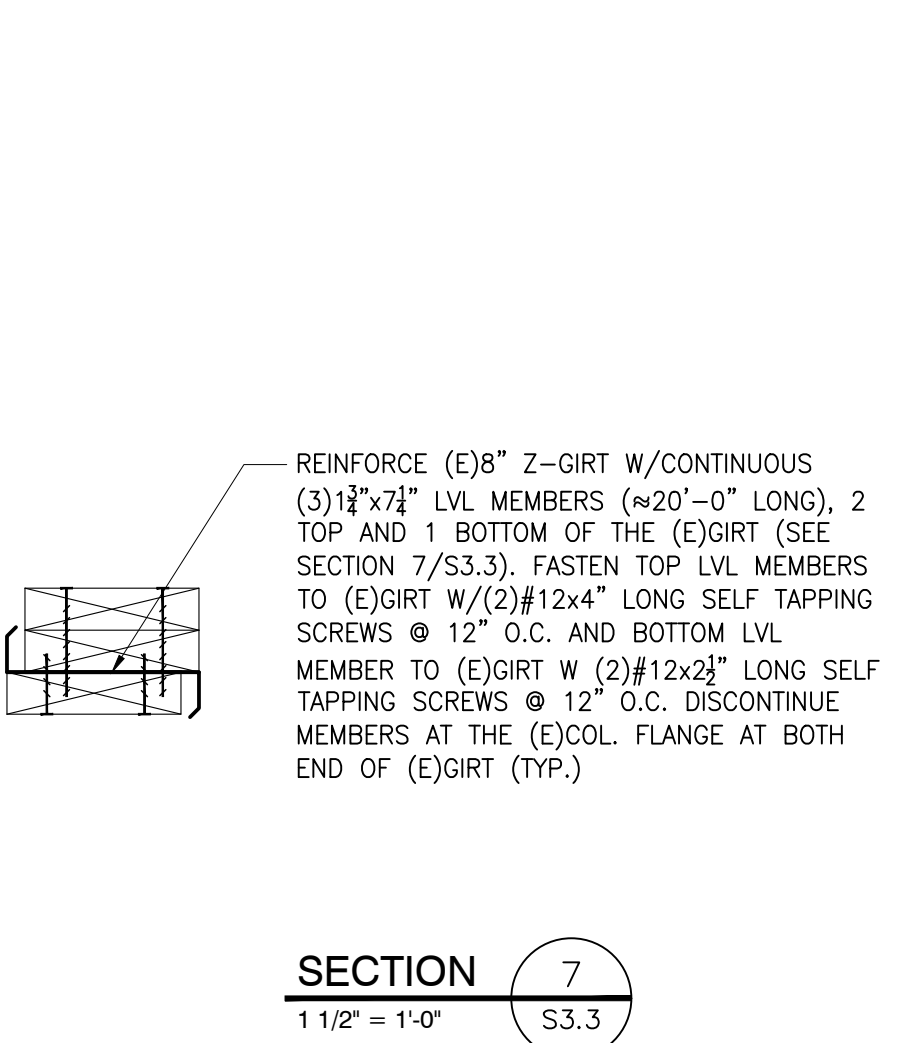
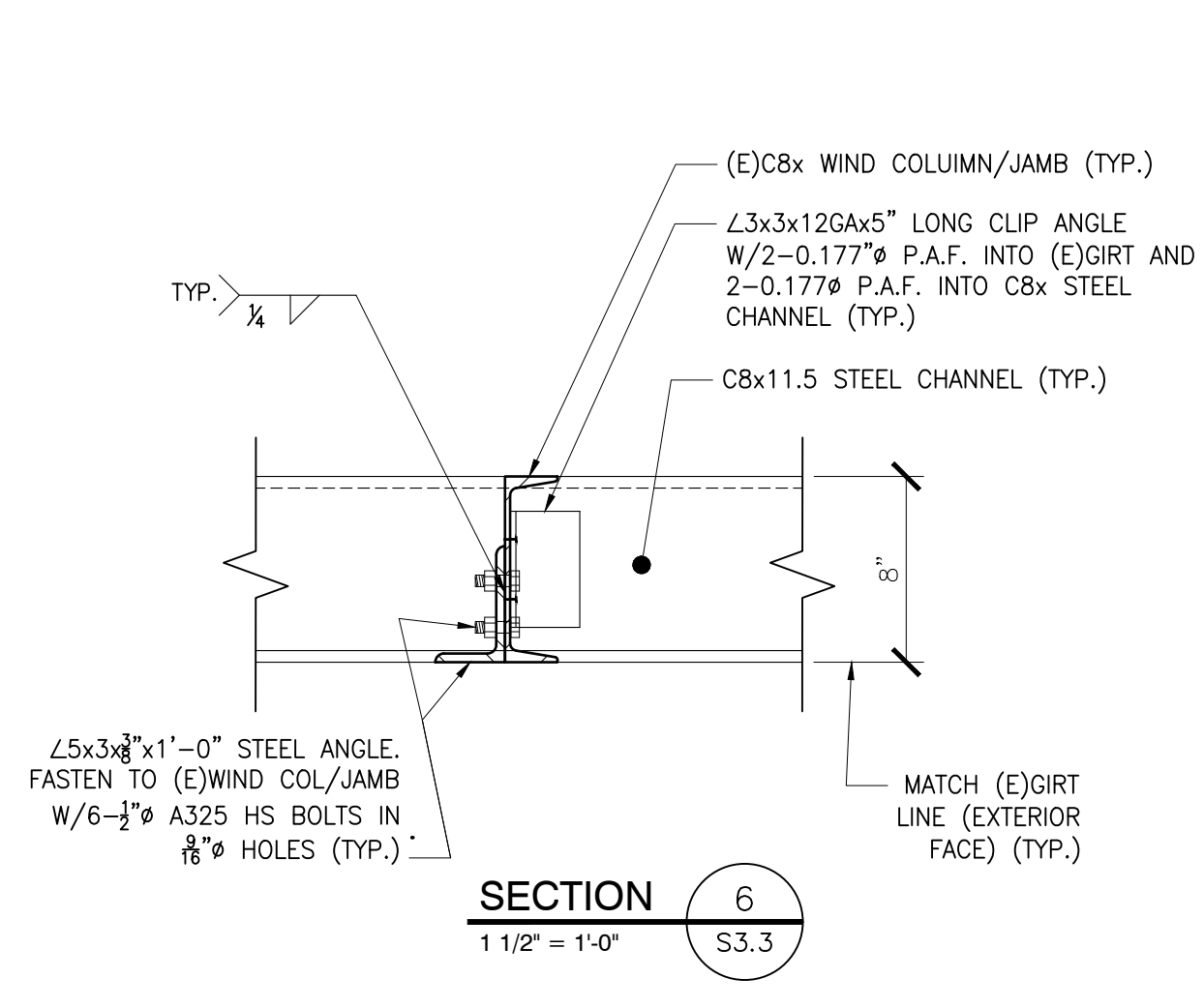
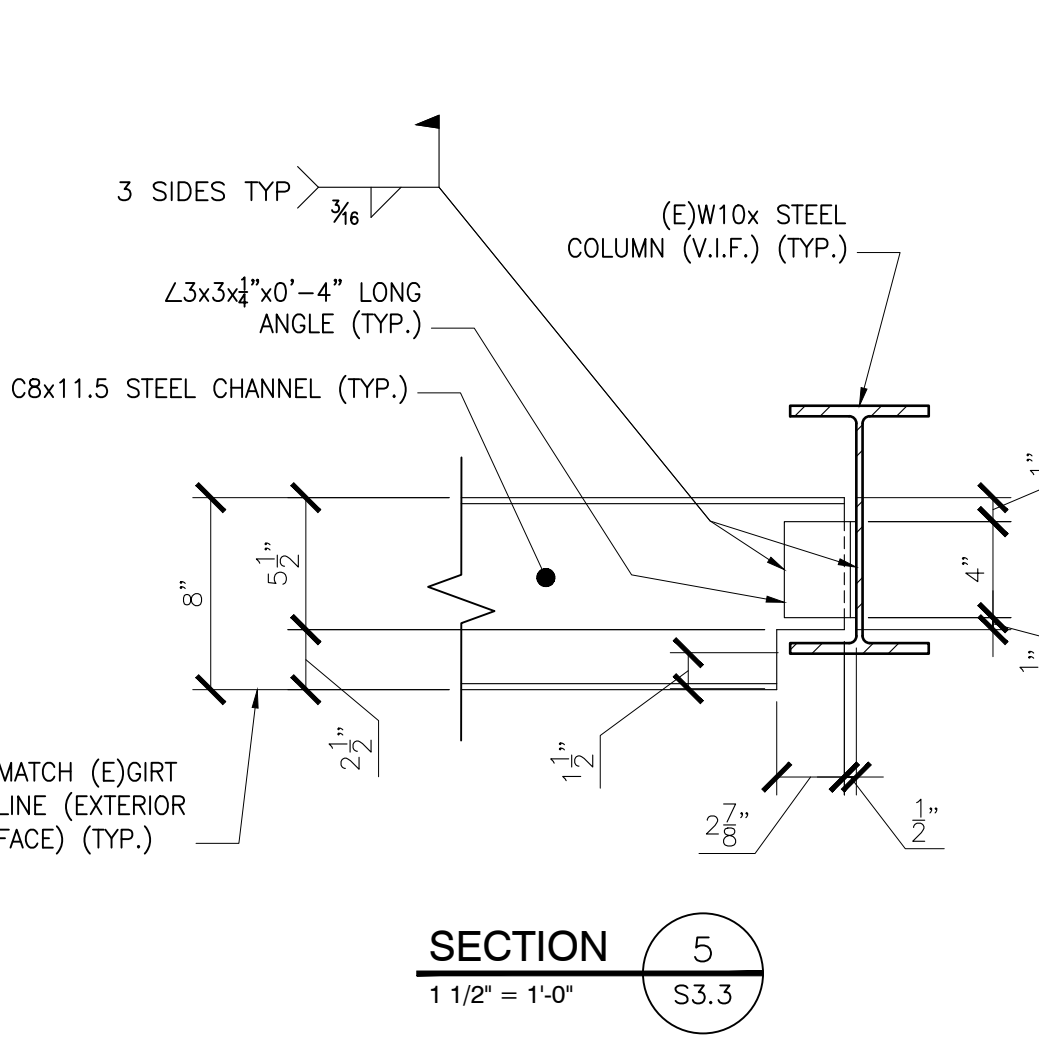
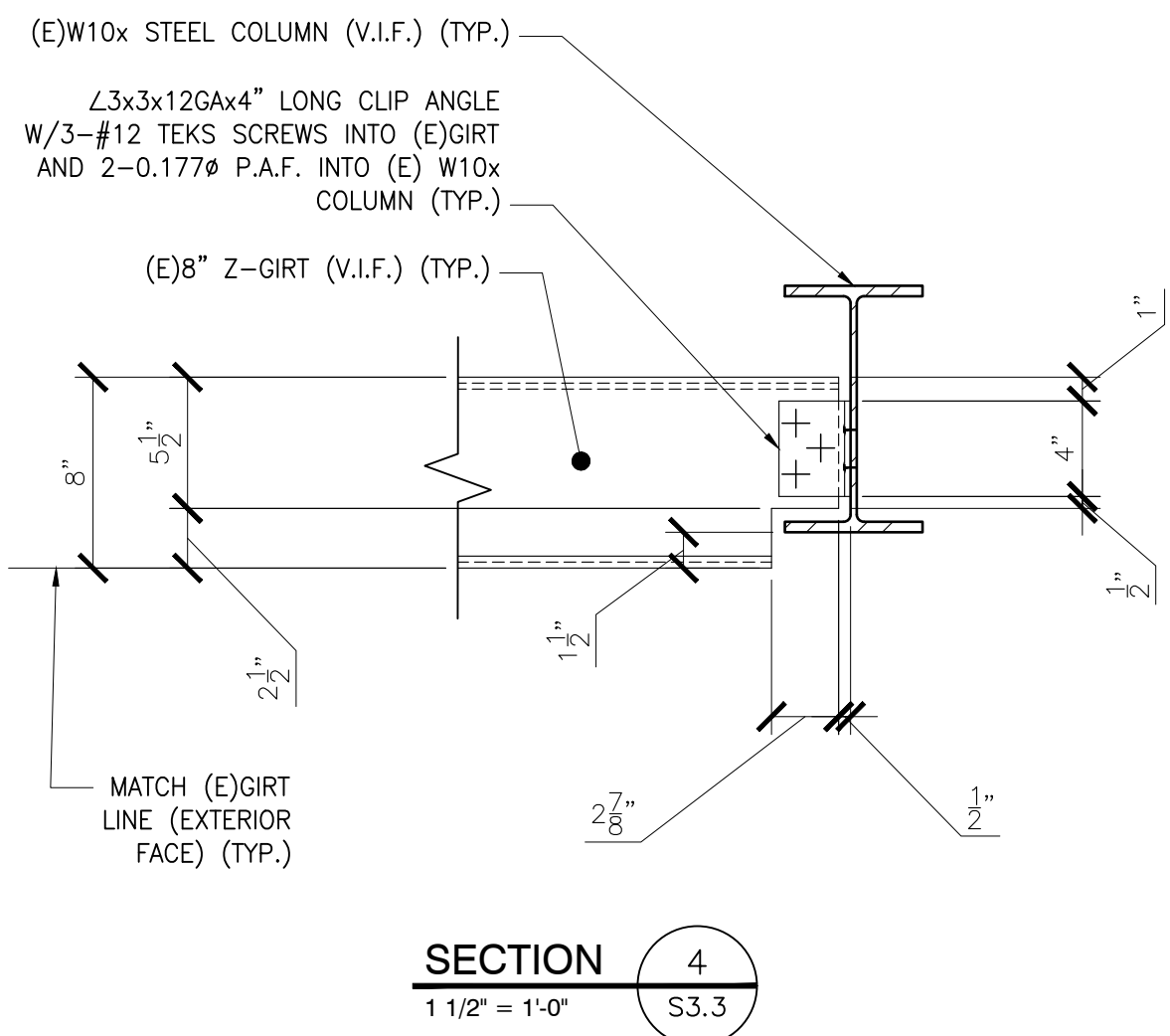
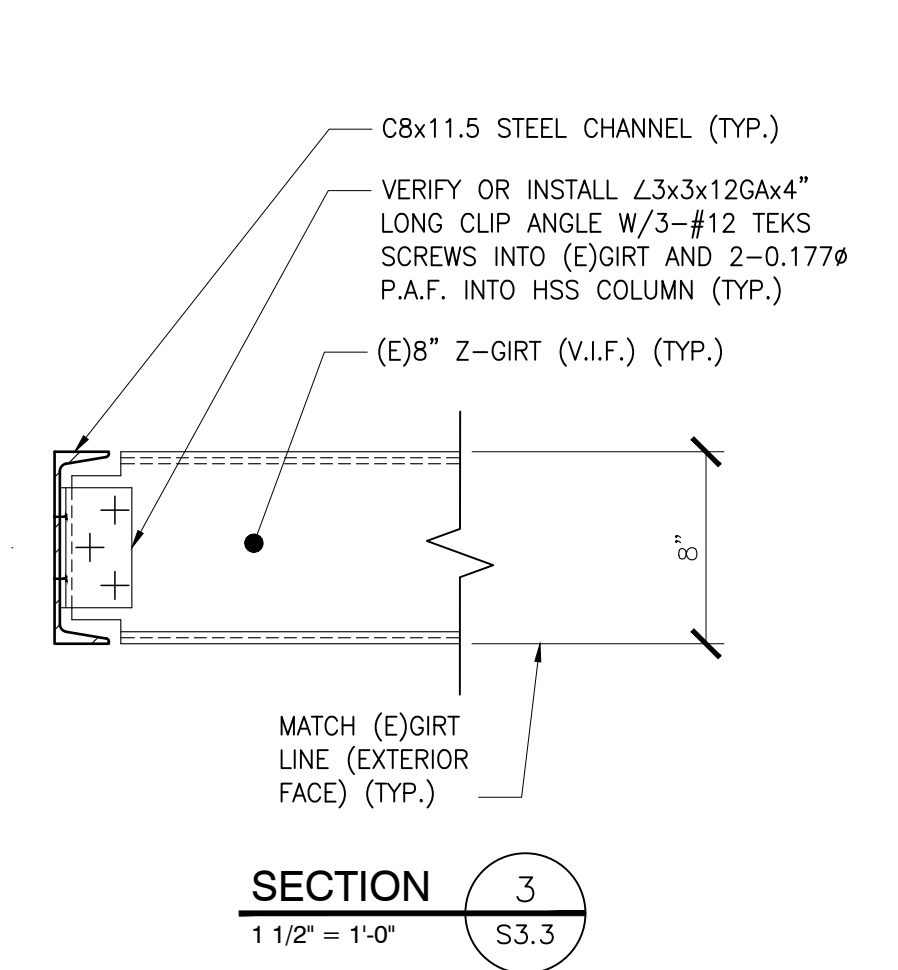
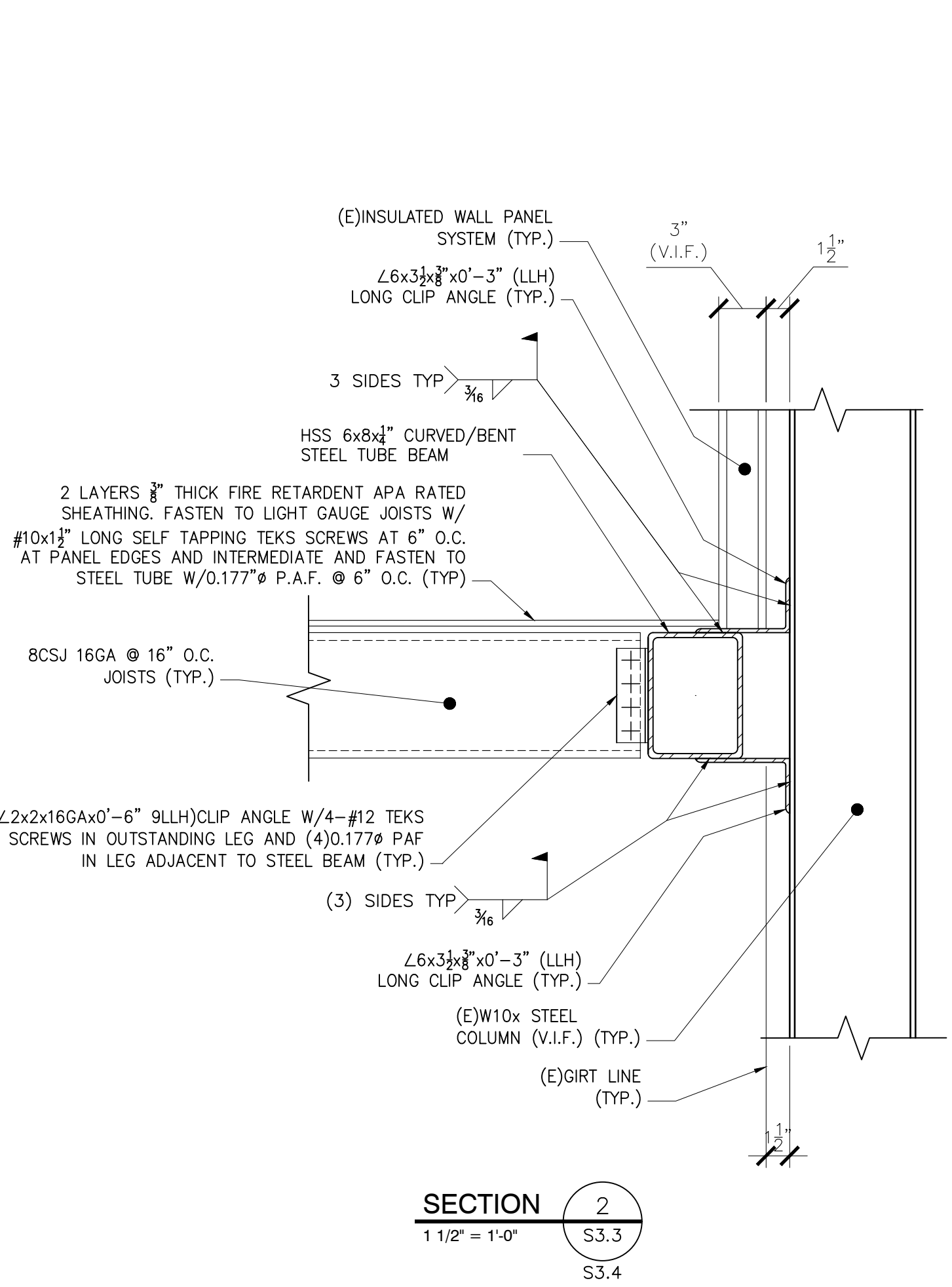
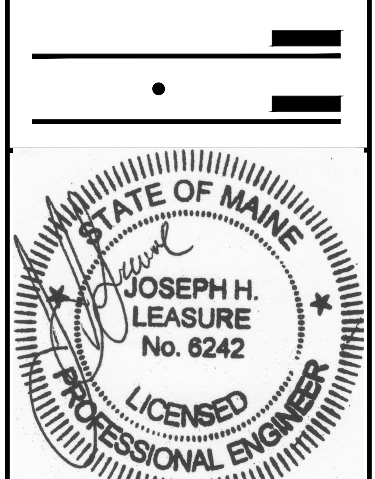


**PRELIMINARY
NOT FOR CONSTRUCTION**



**L & L STRUCTURAL
ENGINEERING SERVICES, INC.**
SIX O STREET
SOUTH PORTLAND, MAINE 04106
PHONE: (207) 767-4830
FAX: (207) 799-5432



rev.	date	description
A	01/26/17	FOR PRICING & PERMIT
B	02/25/17	REVISION FOR COORD.
C	03/01/17	REVISION FOR PRICING & PERMIT

designed by: JHL
drawn by: PAM
checked by: JHL
scale: AS NOTED
date: 12/19/2016
plot date: 03/01/2017
project #: 2014-167B

PORTLAND ELKS LODGE
1945 CONGRESS STREET
PORTLAND, MAINE
BUILDING RENOVATIONS
DETAILS AND SECTIONS

S3.5

THESE DRAWINGS HAVE BEEN DEVELOPED BY L&L STRUCTURAL ENGINEERING SERVICES, INC. FOR THE TITLED SET ONLY. THE DRAWINGS ARE THE SOLE PROPERTY OF L&L ENGINEERING SERVICES, INC. AND THEY SHALL NOT BE USED, LENT, COPIED OR ALTERED WITHOUT THE WRITTEN CONSENT OF L&L STRUCTURAL ENGINEERING SERVICES, INC.