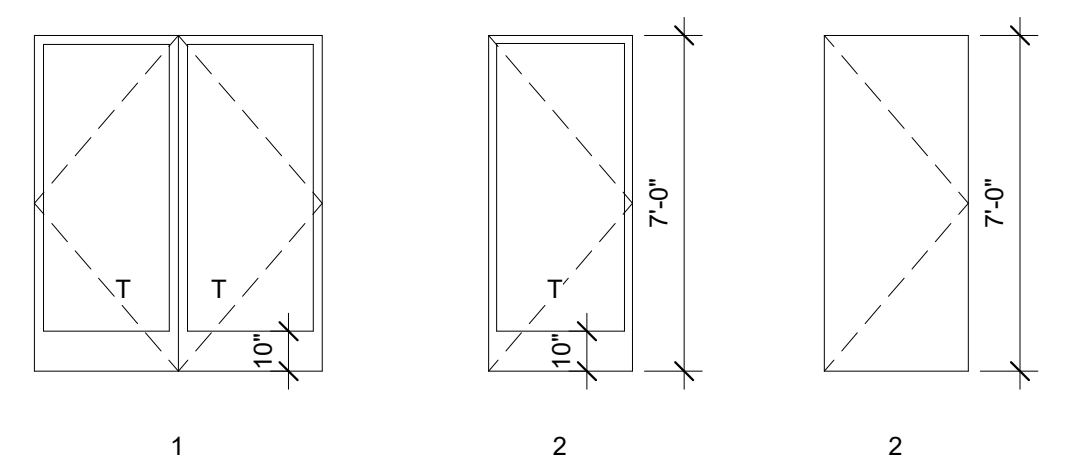


NOTE: (1) WINDOW IN EXISTING R.O.
-WINDOWS BEARING THE SAME TYPE MARK ARE TO MATCH

NOTES:
1. WINDOW DIMENSIONS ARE TO R.O.
2. T = TEMPERED GLAZING

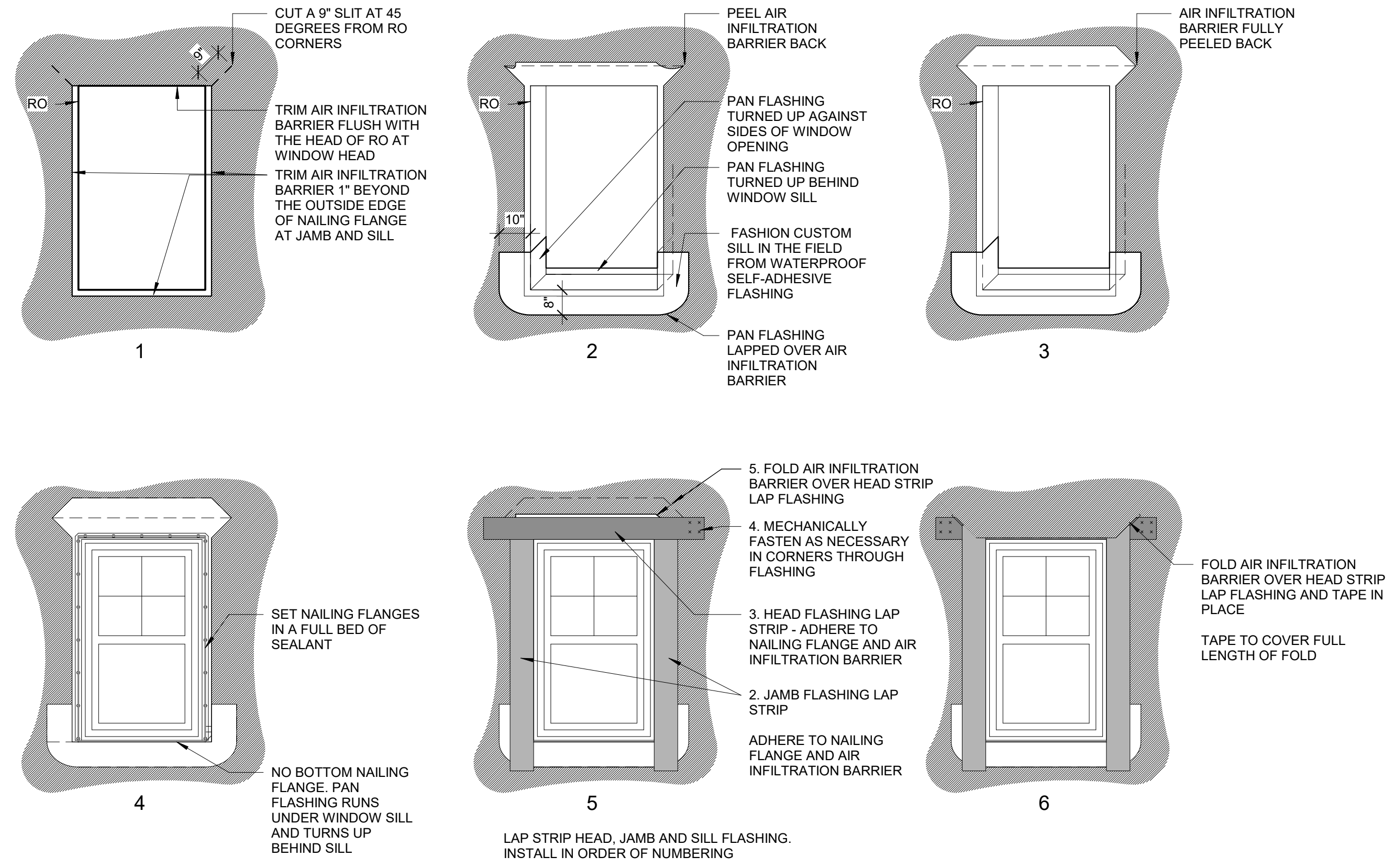
PUBLIC AREA DOOR SCHEDULE										
DOOR No.	SIZE			DOOR			FRAME		CLOSER	REMARKS
	WIDTH	HEIGHT	THICKNESS	TYPE	MATERIAL	FINISH	THRESH	MATERIAL		
GRADE										
001	6'-0"	7'-0"		1	AL		AL	STOREFRONT	Yes	
002	3'-0"	7'-0"	1 3/4"	3	INSUL-GALV	PTD	AL	EXISTING	Yes	VERIFY SIZE IN FIELD
003	3'-6"	7'-0"	1 3/4"	3	INSUL-GALV	PTD	AL	EXISTING	Yes	VERIFY SIZE IN FIELD
004	3'-0"	7'-0"		2	AL		AL	STOREFRONT	Yes	
005	3'-0"	7'-0"		2	AL		AL	STOREFRONT	Yes	
006	3'-0"	6'-6"		2	AL		AL	EXISTING	Yes	VERIFY SIZE IN FIELD
007	6'-0"	7'-0"		1	AL		AL	STOREFRONT	Yes	

NOTE: COORDINATE ALL HARDWARE WITH OWNER



2 | DOOR LEAF ELEVATIONS
1/4" = 1'-0"

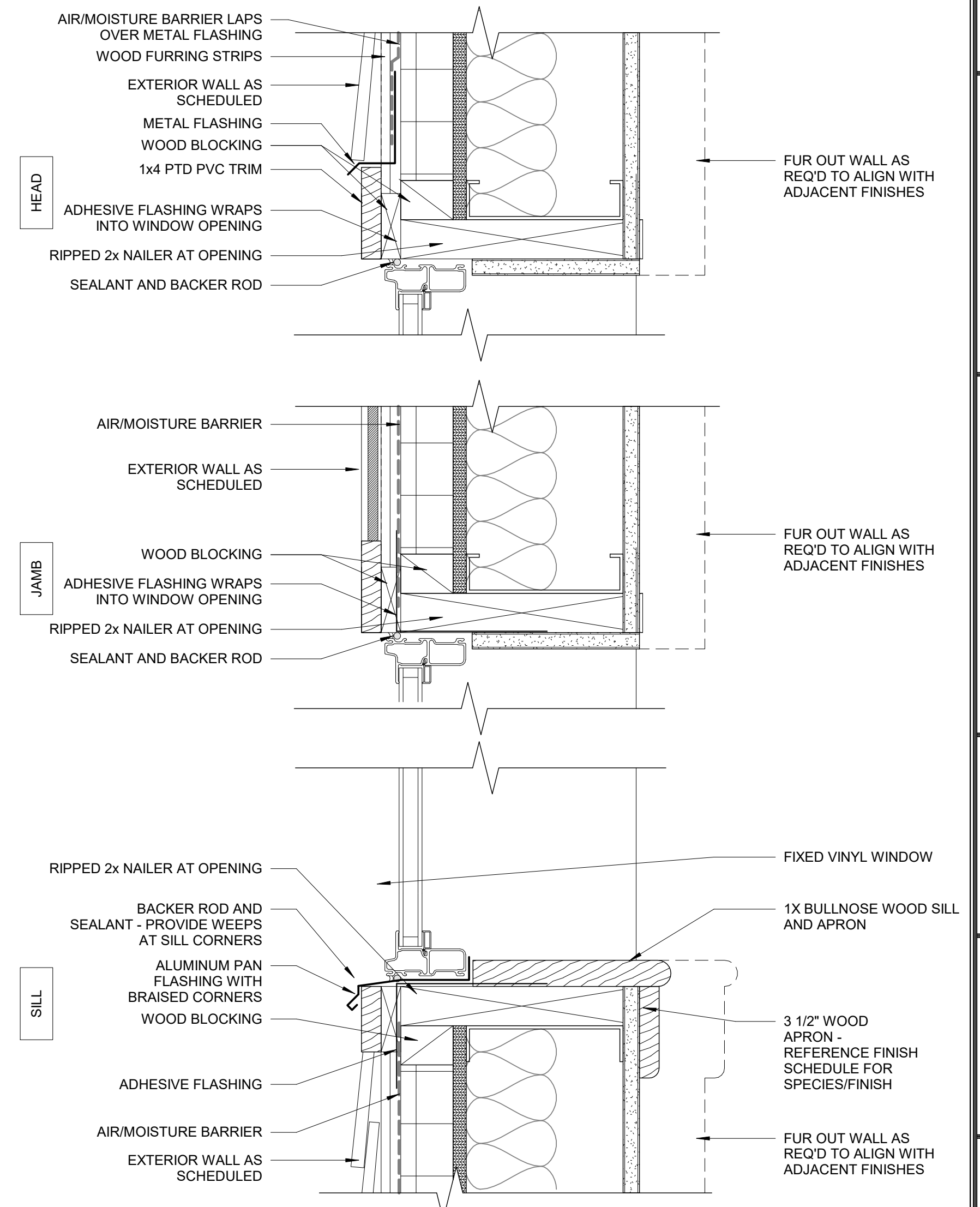
5 | STOREFRONT AND WINDOW ELEVATIONS
1/4" = 1'-0"



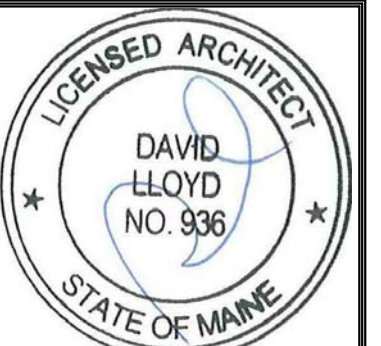
ORDER OF INSTALLATION OF WATER PROOFING AT WINDOWS. WATER PROOFING AT STOREFRONT AND DOORS USE STEPS 1-3

NOTES:
1. INSTALL AIR INFILTRATION BARRIER IN ORDER AS SHOWN BY NUMBERS.
2. IF APPLICABLE, LEAVE RELEASE PAPER ON LOWER HALF OF SILL FLASHING UNTIL FUTURE TIE-IN.
3. INSTALL FLASHING AND AIR INFILTRATION BARRIER TO FORM WATER SHEDDING LAPS.
4. COORDINATE WITH FLASHING REQUIREMENTS OF WINDOW MANUFACTURER.
5. FOLLOW MANUFACTURER'S RECOMMENDATIONS FOR INSTALLATION.

1 | ORDER OF INSTALLATION OF WATERPROOFING AT WINDOWS
3/8" = 1'-0"



4 | TYPICAL WINDOW SECTION
3" = 1'-0"



Prepared For:
Northland Management
Address
City, State

Consultant:
ARCHETYPE architects
48 Union Wharf Portland, Maine 04101
(207) 772-0022 ARCHETYPE@ARCHETYPEPA.COM

Project:
Elks Lodge
Portland, Maine

Revisions:
Scale: As indicated
Date: 01/26/2017
DOOR AND WINDOW SCHEDULE

A8.02