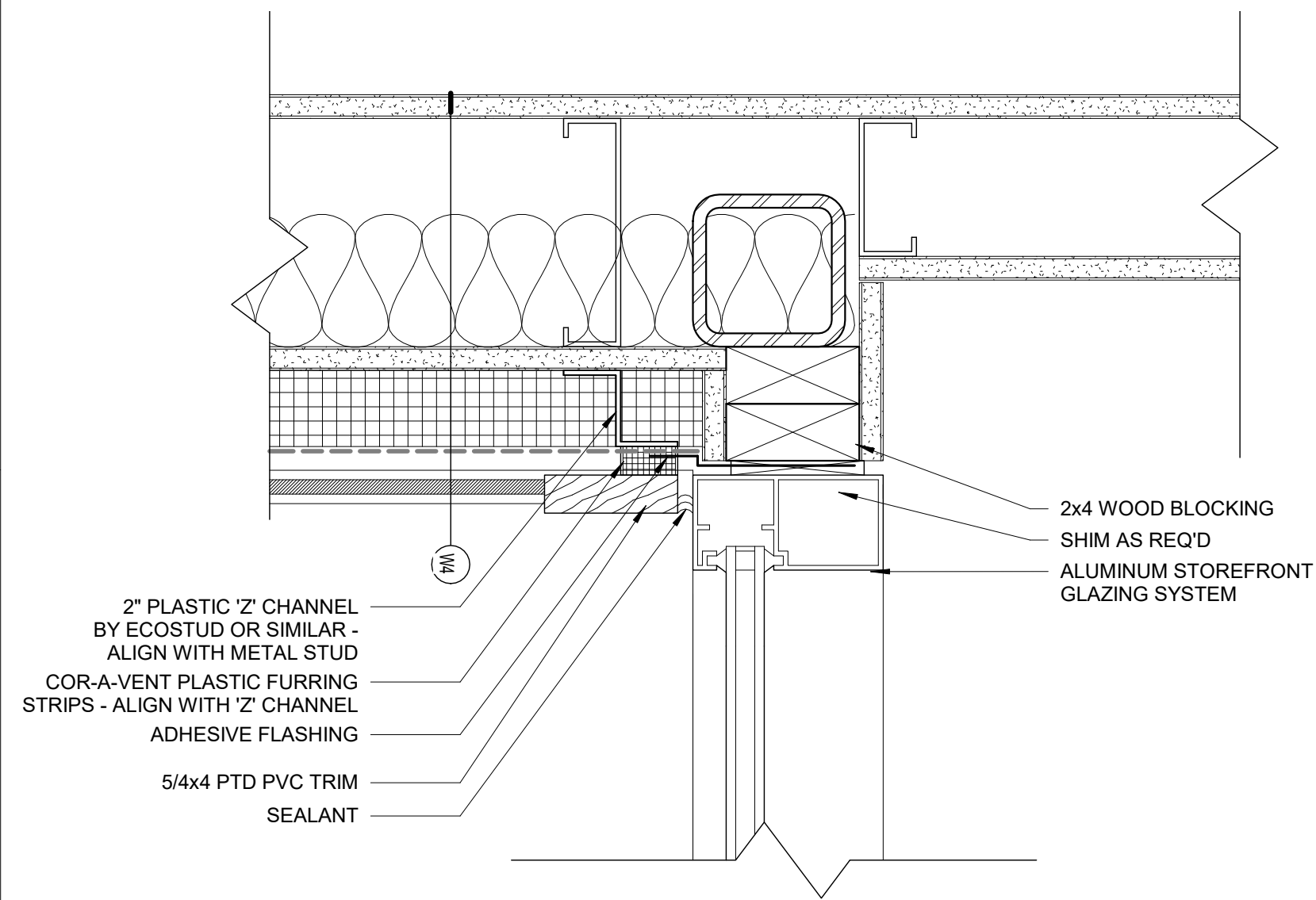
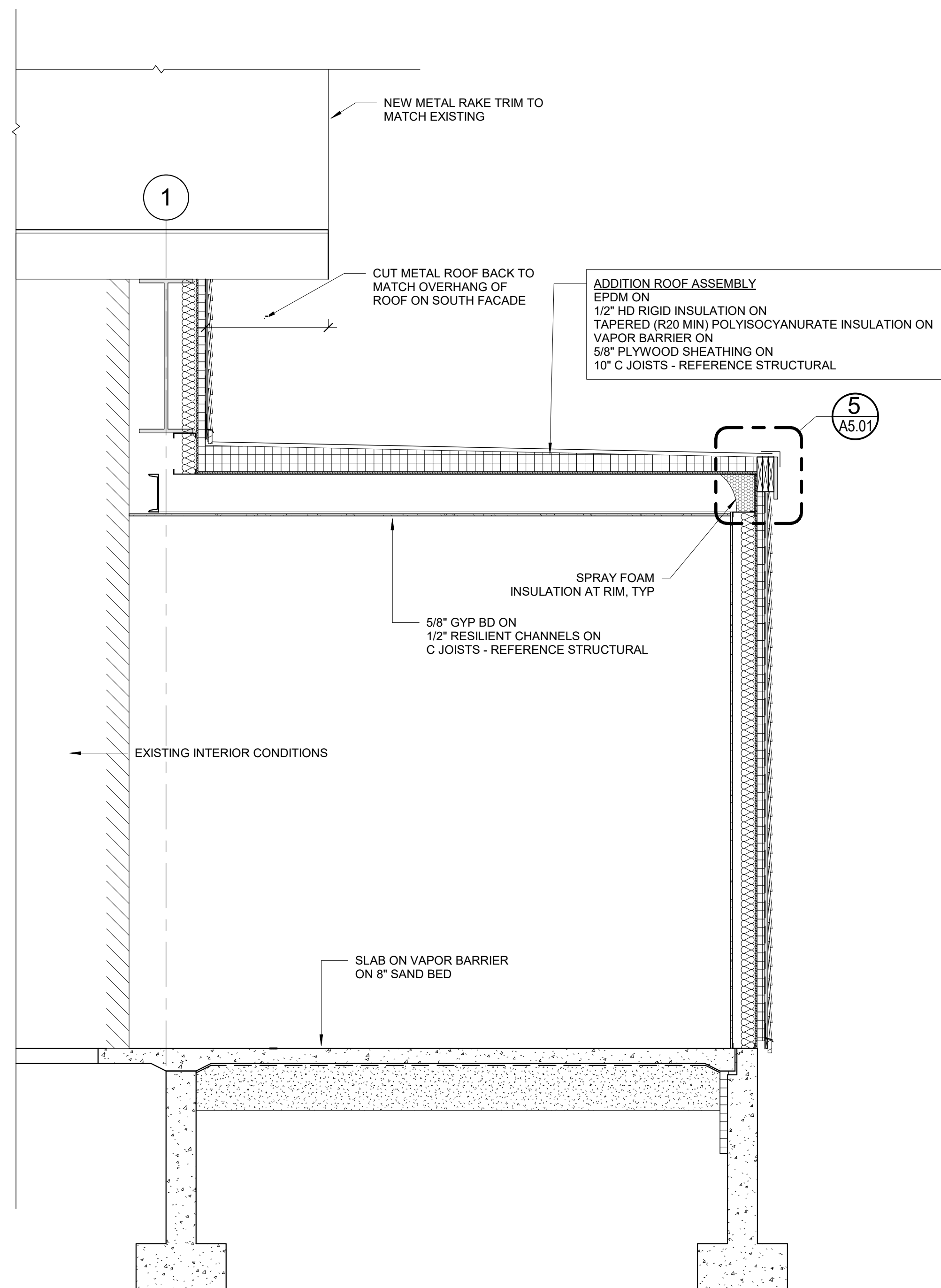


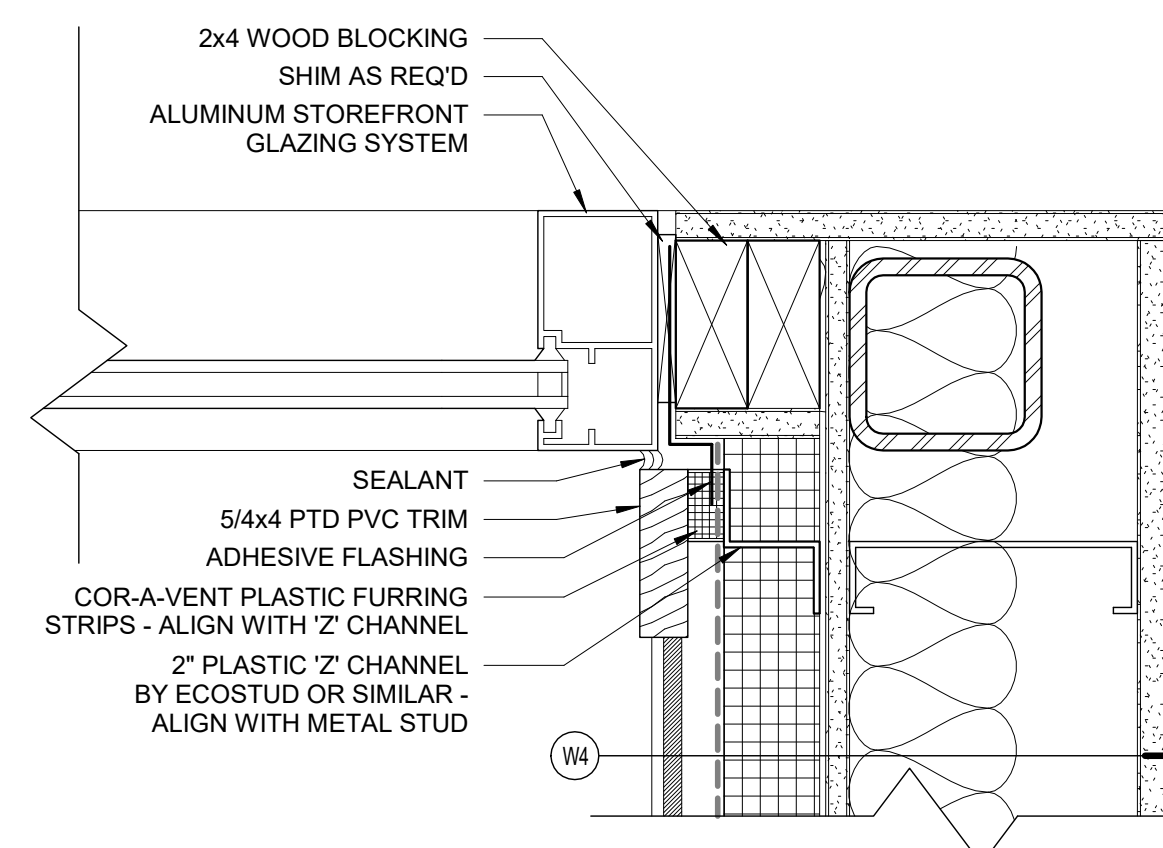
**5 ROOF EDGE DETAIL**  
 3" = 1'-0"



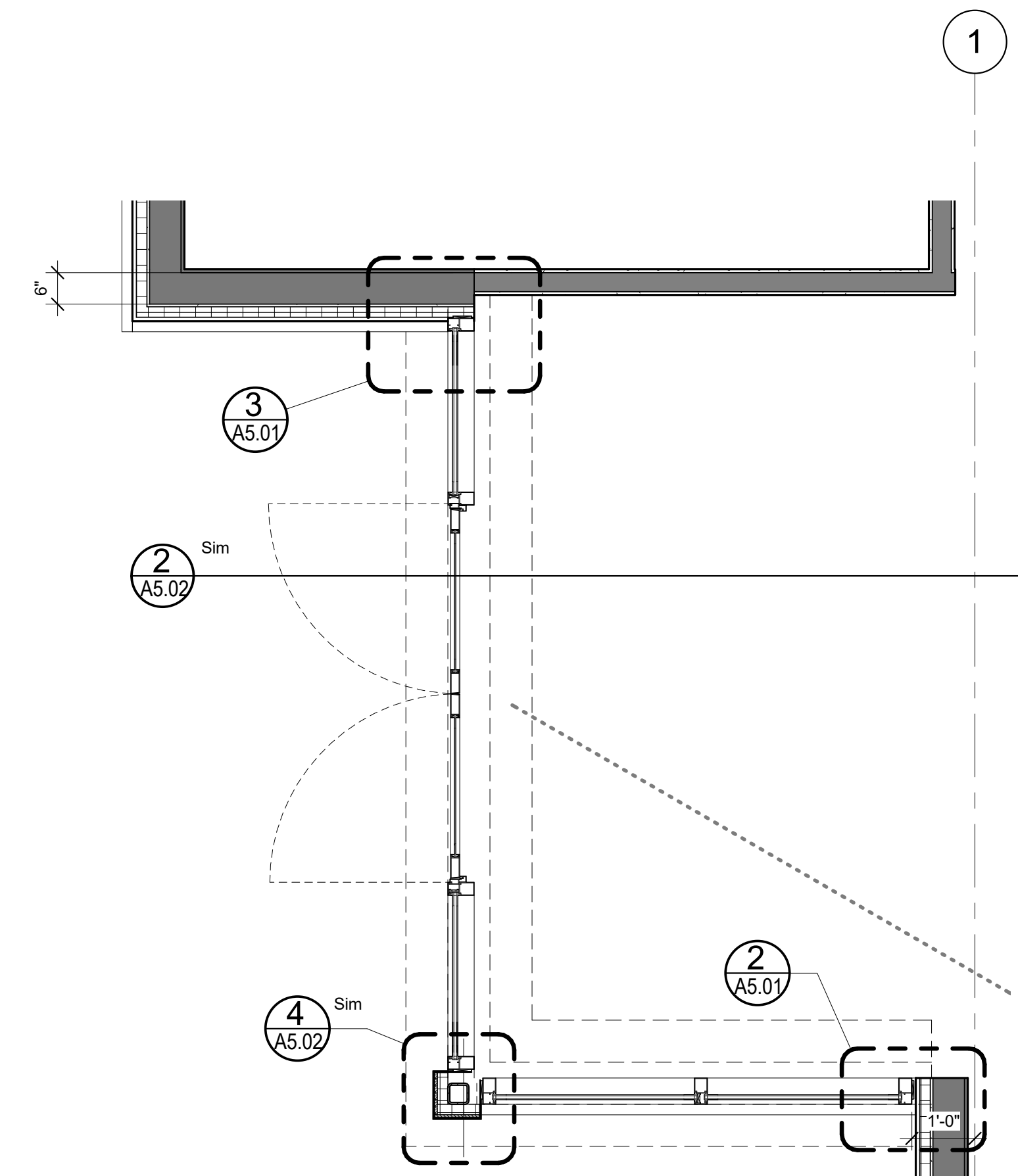
**3 NORTH STOREFRONT JAMB DETAIL**  
 3" = 1'-0"



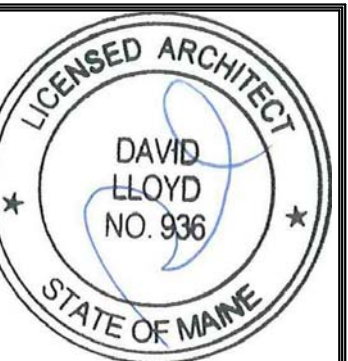
**4 SECTION THROUGH ADDITION**  
 1/2" = 1'-0"



**2 STOREFRONT JAMB DETAIL**  
 3" = 1'-0"



**1 NORTH ENTRY VESTIBULE PLAN**  
 1/2" = 1'-0"



Prepared For:  
**Northland  
 Management**  
 Address  
 City, State

Consultant:  
**ARCHETYPE  
 architects**  
 48 Union Wharf Portland, Maine 04101  
 (207) 772-6022 ARCHETYPE@ARCHETYPEPA.COM

Project:  
**Elks Lodge**  
 Portland, Maine

Revisions:

Date: 01/26/2017  
 Scale: As indicated  
**STOREFRONT DETAILS**

**A5.01**