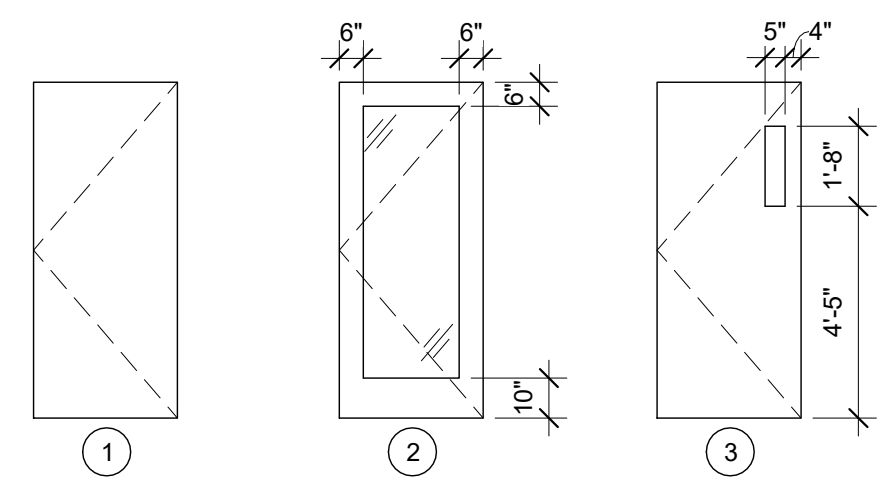


## DOOR SCHEDULE - SUB-BASEMENT THRU FIRST FLOOR

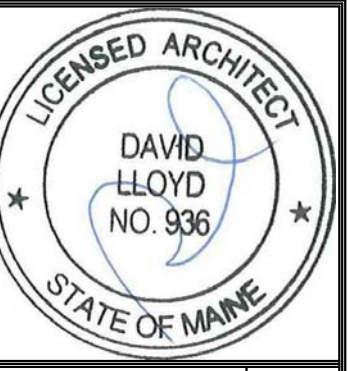
DOOR No.	LOCATION	DOOR			TYPE	MAT'L	FINISH	FRAME			LABEL	OPER.	CL.	REMARKS
		W	H	THCK				JAMB	THRESHOLD	FINISH				
001	STAIR A	3'-0"	7'-0"	1 3/4"	2	AL		AL	ALUM			EXIT	Yes	
002		3'-6"	7'-0"	1 3/4"	1	HM	PTD	HM	ALUM	PTD		ENTR	Yes	
003	STAIR A	3'-0"	7'-0"	1 3/4"	3	HM	PTD	HM	ALUM	PTD	60 MIN	PASS	Yes	
004	ELEVATOR MACHINE	3'-0"	7'-0"	1 3/4"	1	HM	PTD	HM	ALUM	PTD	60 MIN	PASS		
005	STAIR B	3'-0"	7'-0"	1 3/4"	3	HM	PTD	HM	ALUM	PTD	60 MIN	PASS	Yes	
006	ELECTRICAL	3'-0"	7'-0"	1 3/4"	1	HM	PTD	HM	ALUM	PTD	60 MIN	STOR	Yes	
007	SPRINKLER PUMP/MECHANICAL ROOM	3'-0"	7'-0"	1 3/4"	3	HM	PTD	HM	ALUM	PTD	60 MIN	STOR	Yes	
101		3'-0"	7'-0"	1 3/4"	3	HM	PTD	HM	ALUM	PTD	60 MIN	PASS	Yes	
102		3'-0"	7'-0"	1 3/4"	3	HM	PTD	HM	ALUM	PTD	60 MIN	PASS	Yes	
103		3'-0"	7'-0"	1 3/4"	2	AL		AL	ALUM			ENTR	Yes	
104	VEST.	3'-0"	7'-0"	1 3/4"	2	AL		AL	ALUM			ENTR	Yes	
105		3'-0"	7'-0"	1 3/4"	3	HM	PTD	HM	ALUM	PTD	60 MIN	PASS	Yes	
106		3'-0"	7'-0"	1 3/4"	2	AL		AL	ALUM			EXIT	Yes	USE FRAME TYPE A
201		3'-0"	7'-0"	1 3/4"	3	HM	PTD	HM	ALUM	PTD	60 MIN	PASS	Yes	
202		3'-0"	7'-0"	1 3/4"	3	HM	PTD	HM	ALUM	PTD	60 MIN	PASS	Yes	
203		3'-0"	7'-0"	1 3/4"	3	HM	PTD	HM	ALUM	PTD	60 MIN	PASS	Yes	



**1 | LEAF TYPES**  
1/4" = 1'-0"

### NOTES

1. ALL RATED DOORS TO HAVE CLOSERS, SMOKE SEALS, AND DOOR SWEEPS
2. ALL EXTERIOR DOORS TO HAVE CLOSERS, WEATHERSTRIPPING, AND DOOR SWEEPS
3. ALL DOORS ARE TO BE PAINT-GRADE, U.N.O.



Prepared For:  
**Diversified Partners LLC**  
P.O. Box 7486  
Portland, ME 04112

Consultant:

Architect:  
**ARCHETYPE architects**  
48 Union Wharf Portland, Maine 04101  
(207) 772-6022 ARCHETYPE@ARCHETYPEPA.COM

Project:  
**MEDICAL OFFICES**  
1945 CONGRESS STREET,  
PORTLAND MAINE

Revisions:

Date:  
April 17, 2017

Scale:  
1/4" = 1'-0"

**DOOR SCHEDULE**

**A8.01**