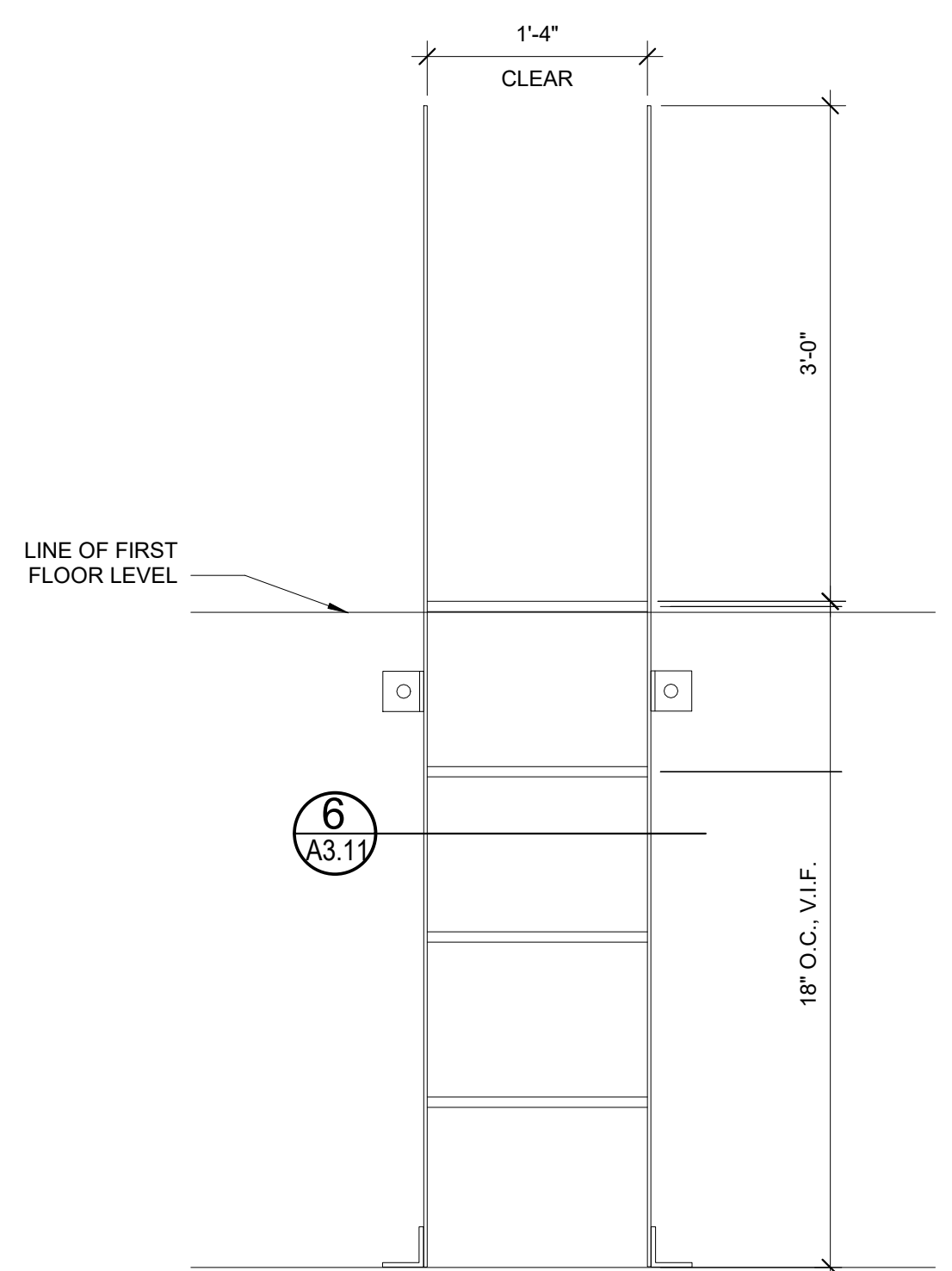
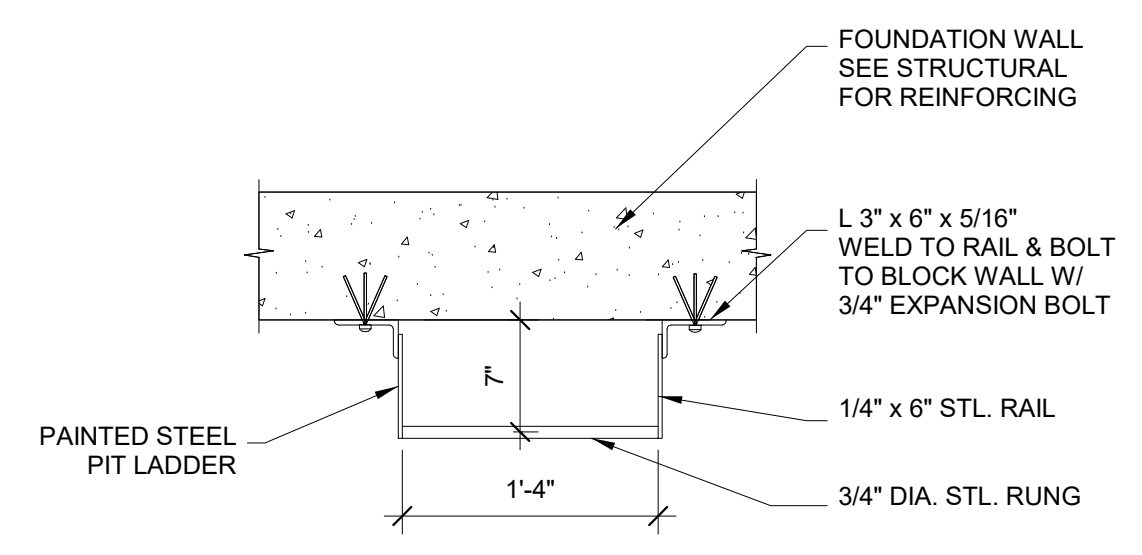


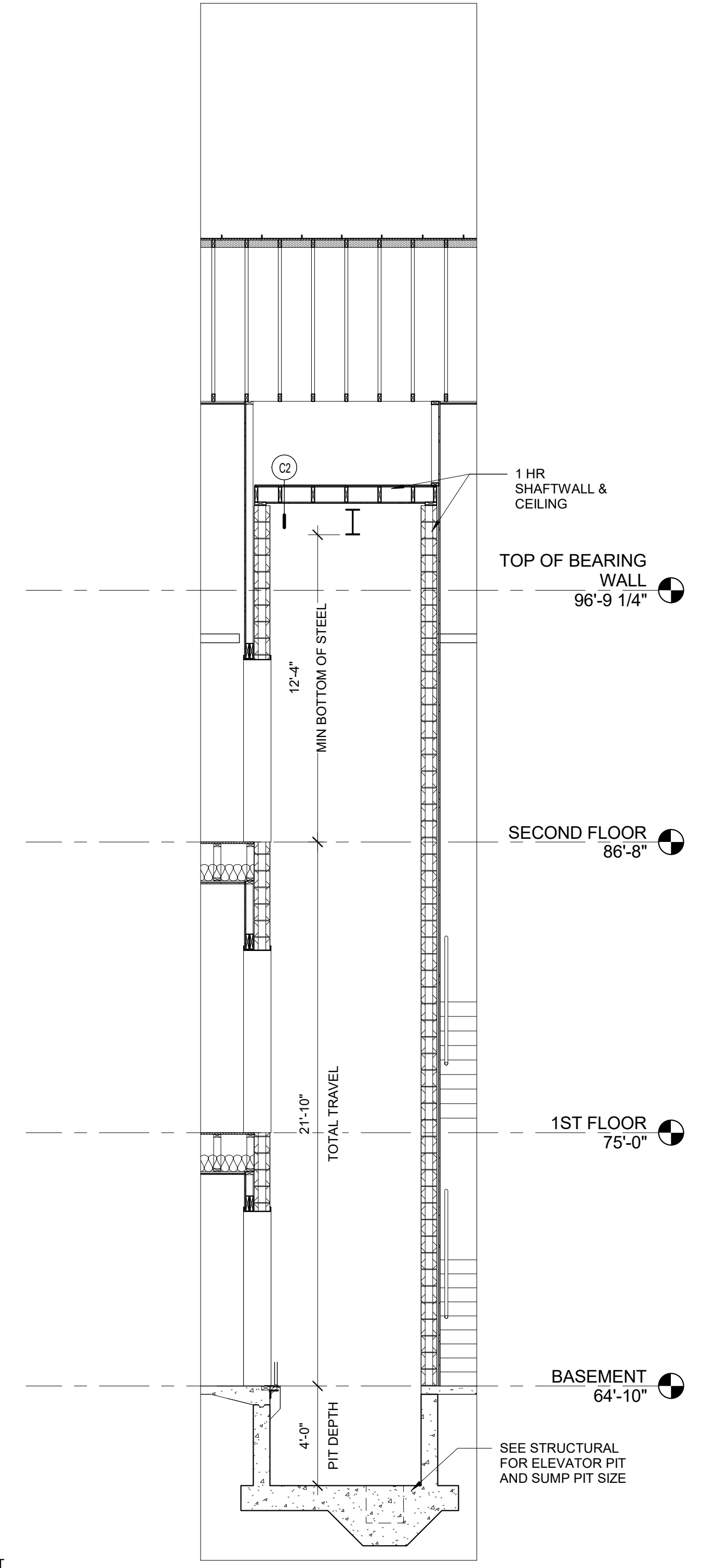
8 | ELEVATOR DOOR AT CONCRETE
1/4" = 1'-0"



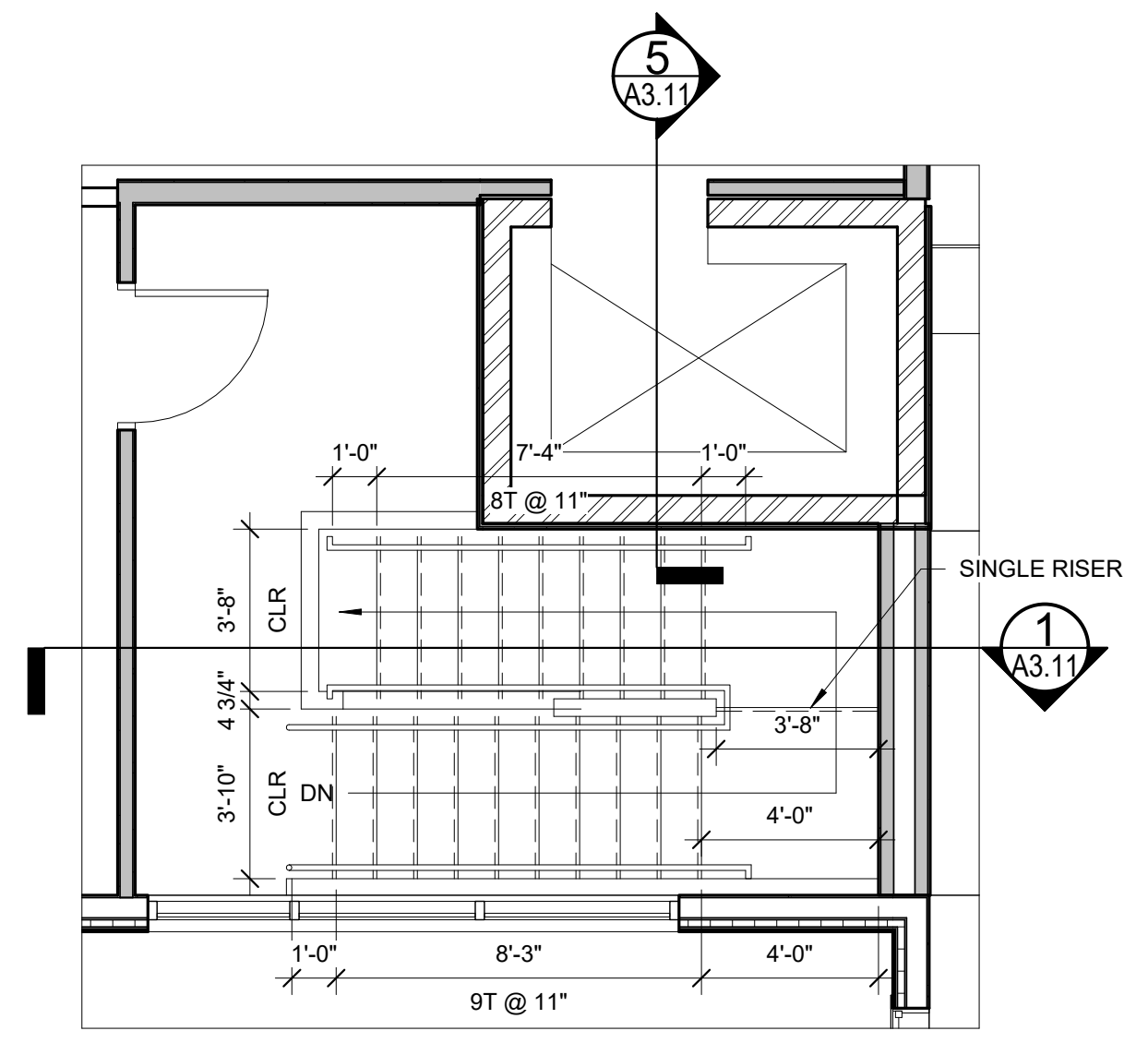
7 | ELEVATOR PIT LADDER ELEVATION
1/4" = 1'-0"



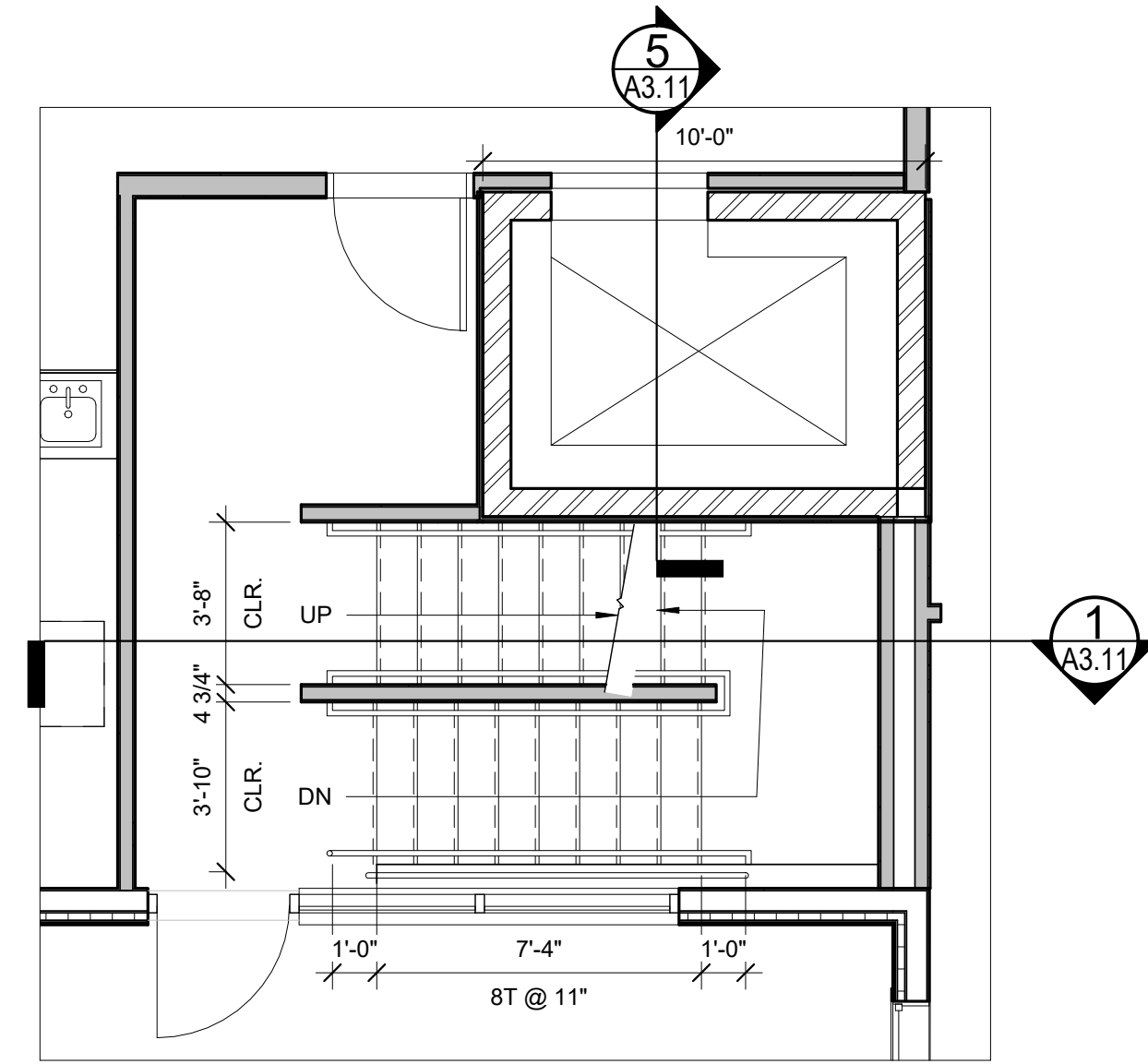
6 | ELEVATOR PIT LADDER PLAN
1/4" = 1'-0"



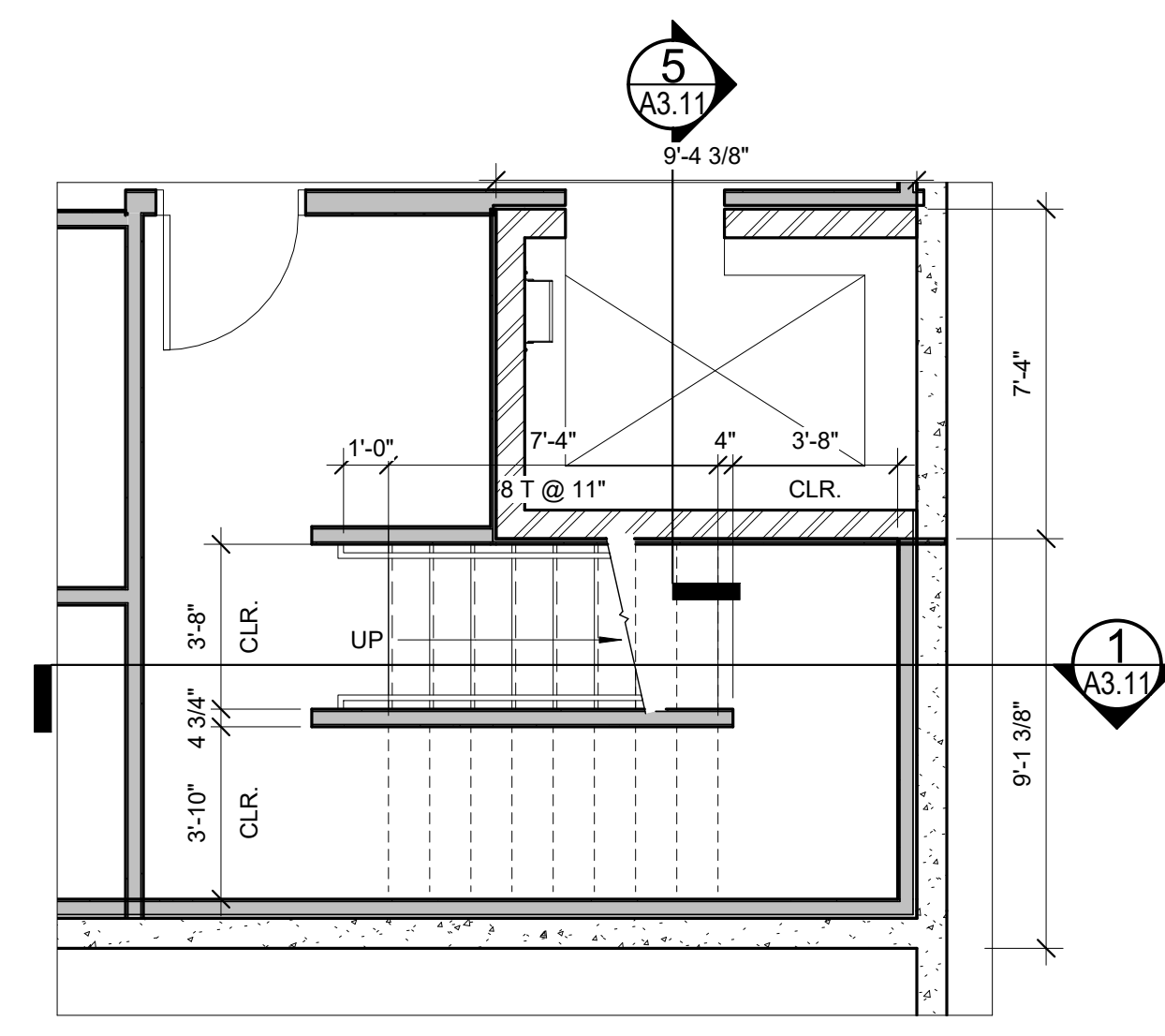
5 | ELEVATOR PIT SECTION
1/4" = 1'-0"



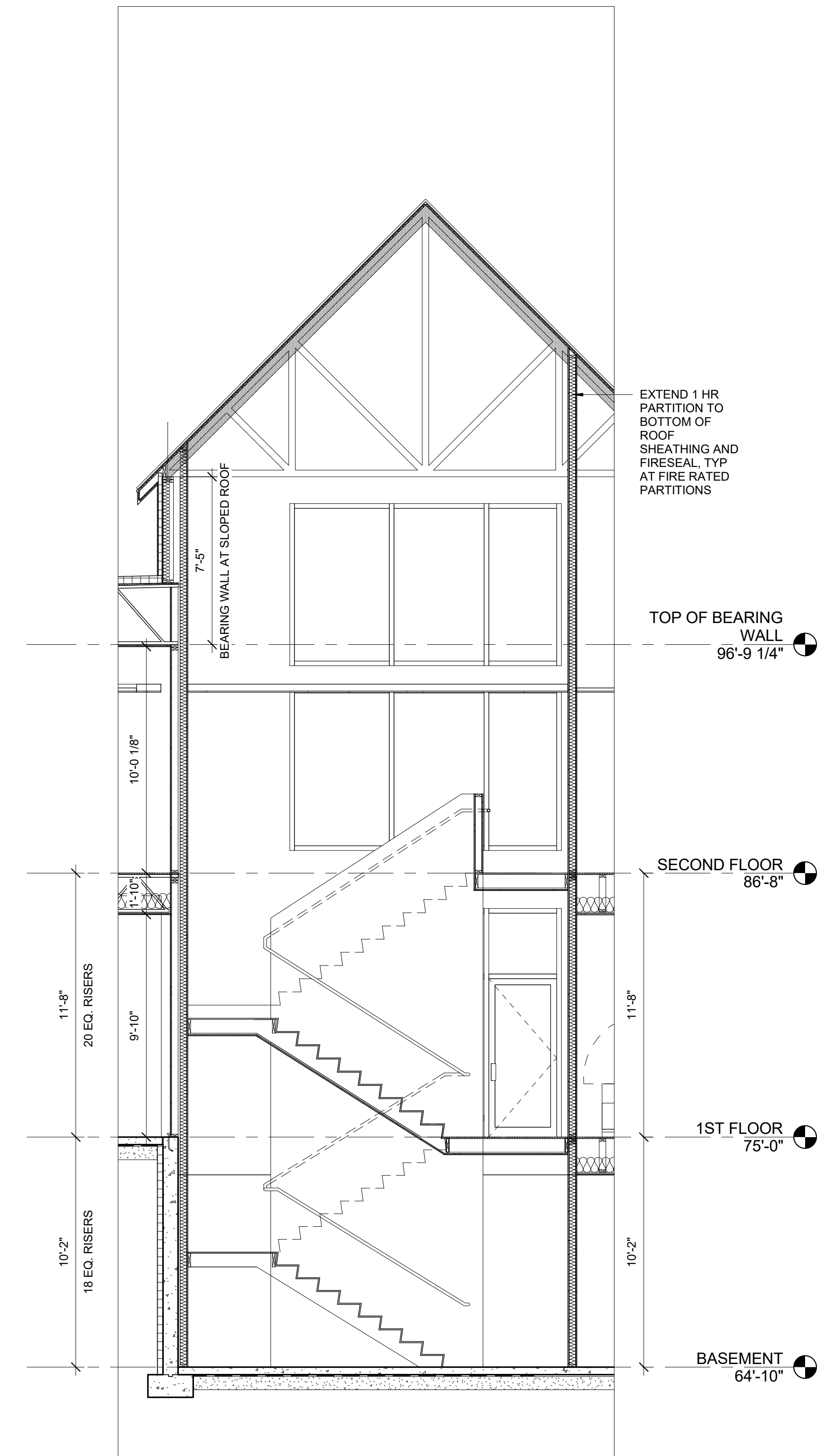
4 | STAIR B SECOND FLOOR PLAN
1/4" = 1'-0"



3 | STAIR B FIRST FLOOR PLAN
1/4" = 1'-0"



2 | STAIR B BASEMENT PLAN
1/4" = 1'-0"



1 | STAIR B SECTION
1/4" = 1'-0"