

Prepared For: **Owner**
Address
City, State

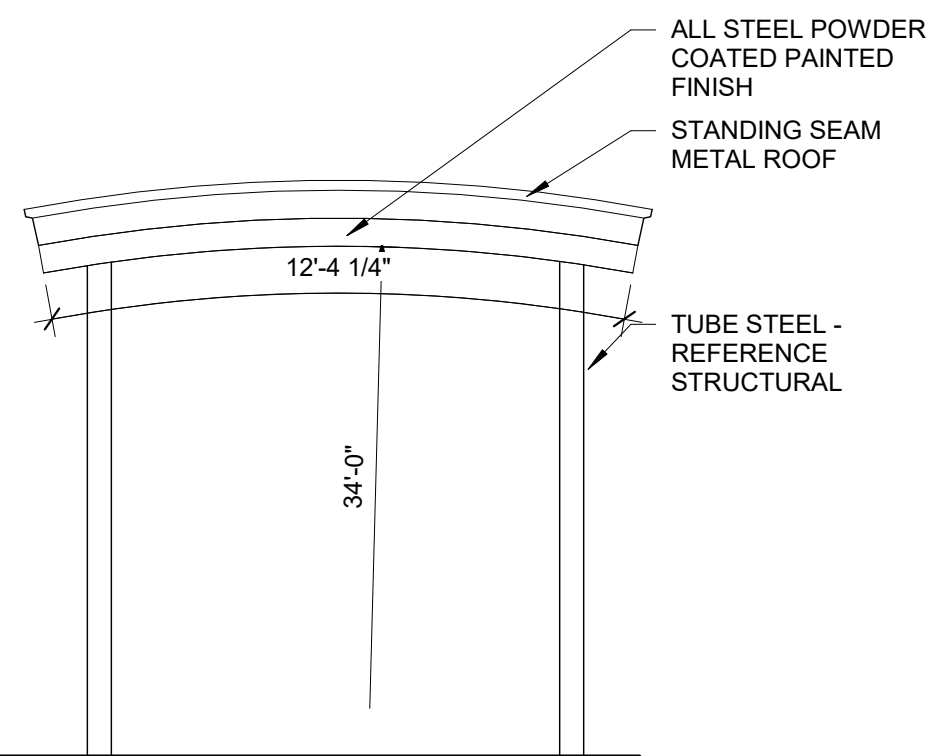
Consultant:
ARCHETYPE architects
48 Union Wharf Portland, Maine 04101
(207) 772-6022 ARCHETYPE@ARCHETYPEPA.COM

Project: **MEDICAL OFFICES**
1945 CONGRESS STREET,
PORTLAND MAINE

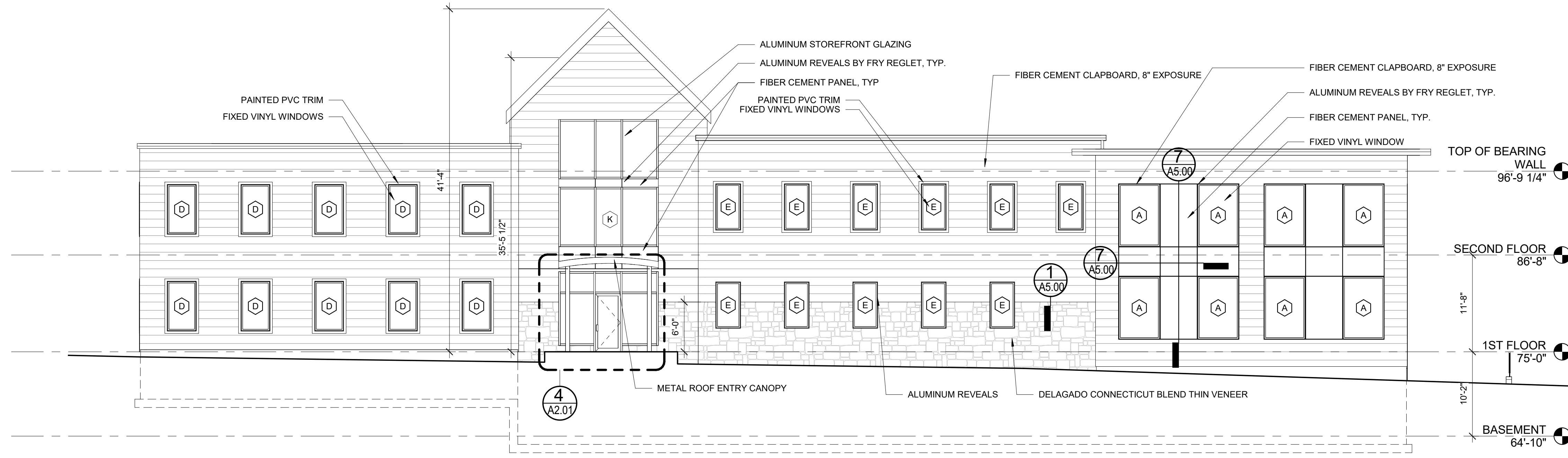
Date: DEC. 27, 2016
Scale: As indicated
Revisions:

BUILDING ELEVATIONS

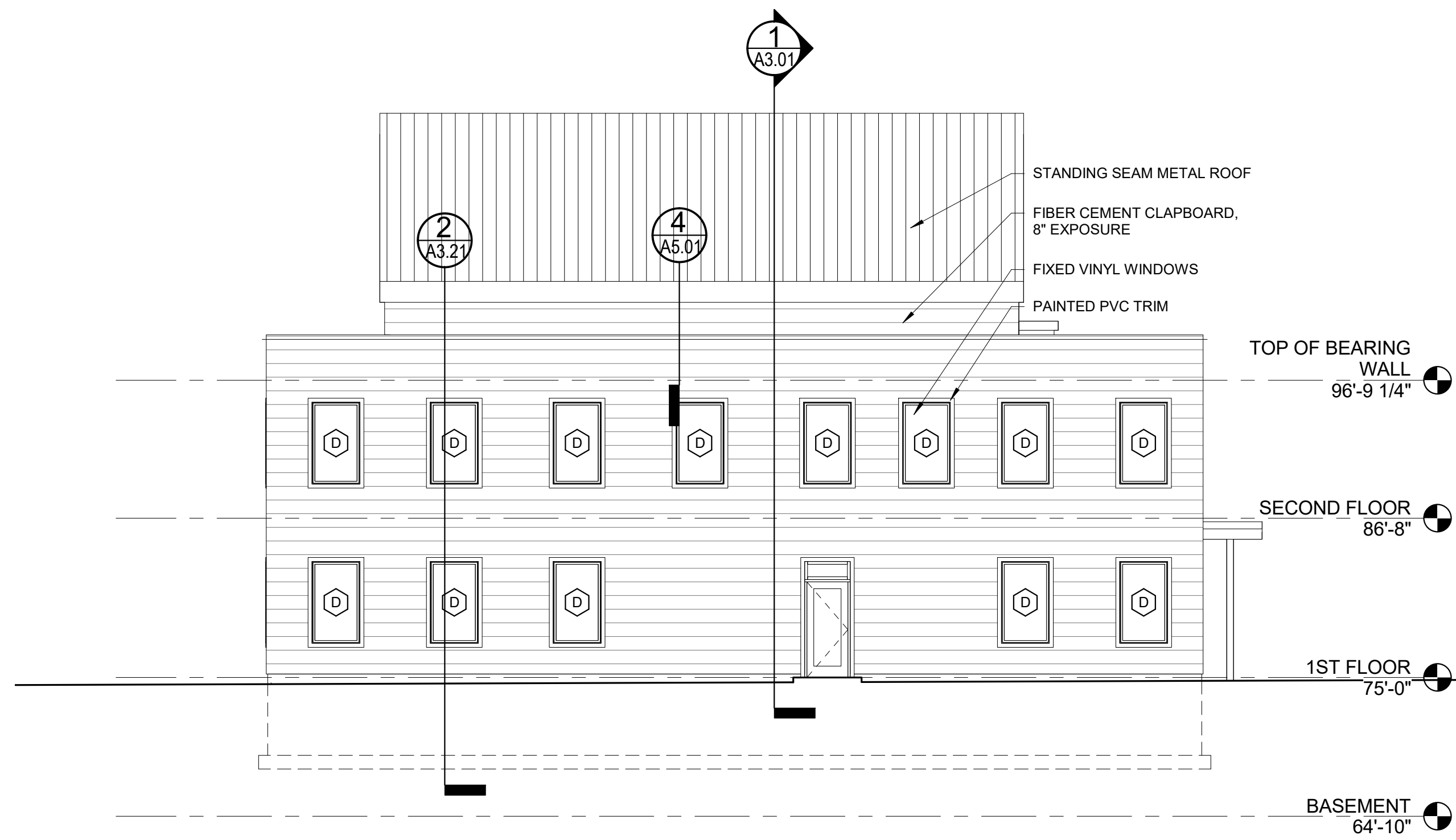
A2.01



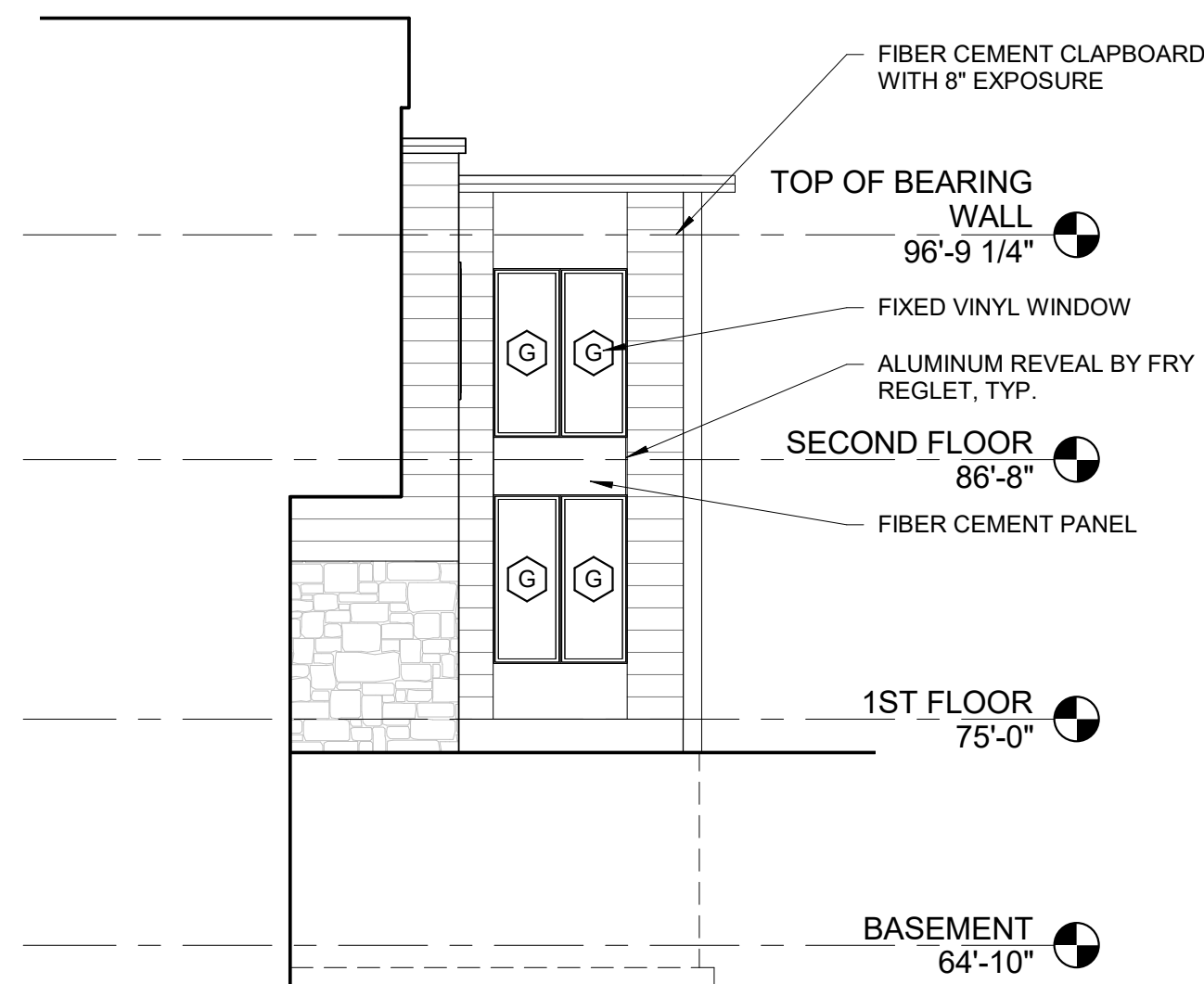
4 | ENTRY CANOPY ELEVATION
1/4" = 1'-0"



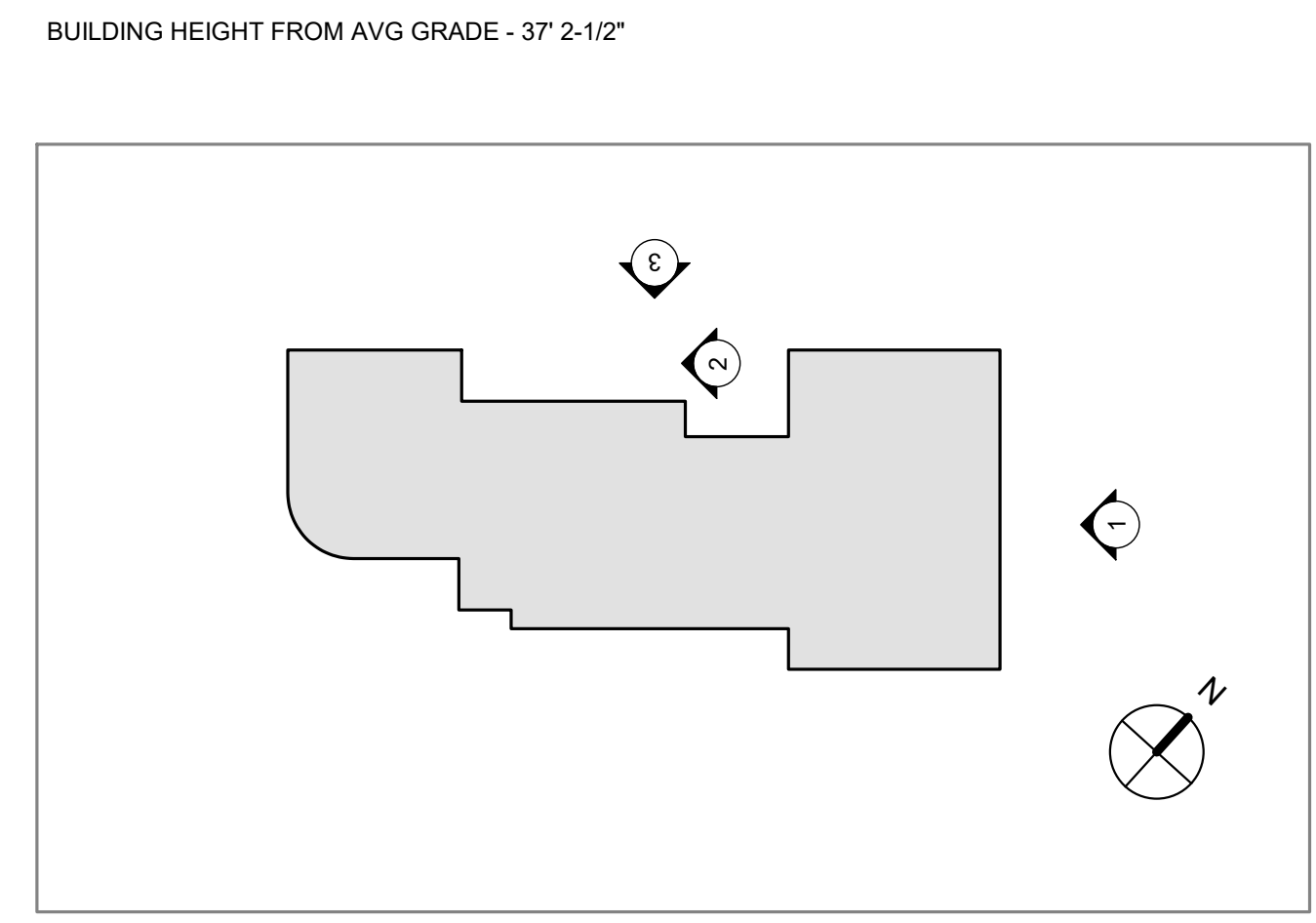
3 | NORTH ELEVATION
1/8" = 1'-0"



1 | EAST ELEVATION
1/8" = 1'-0"



2 | INSIDE CORNER EAST ELEVATION
1/8" = 1'-0"



A2.01