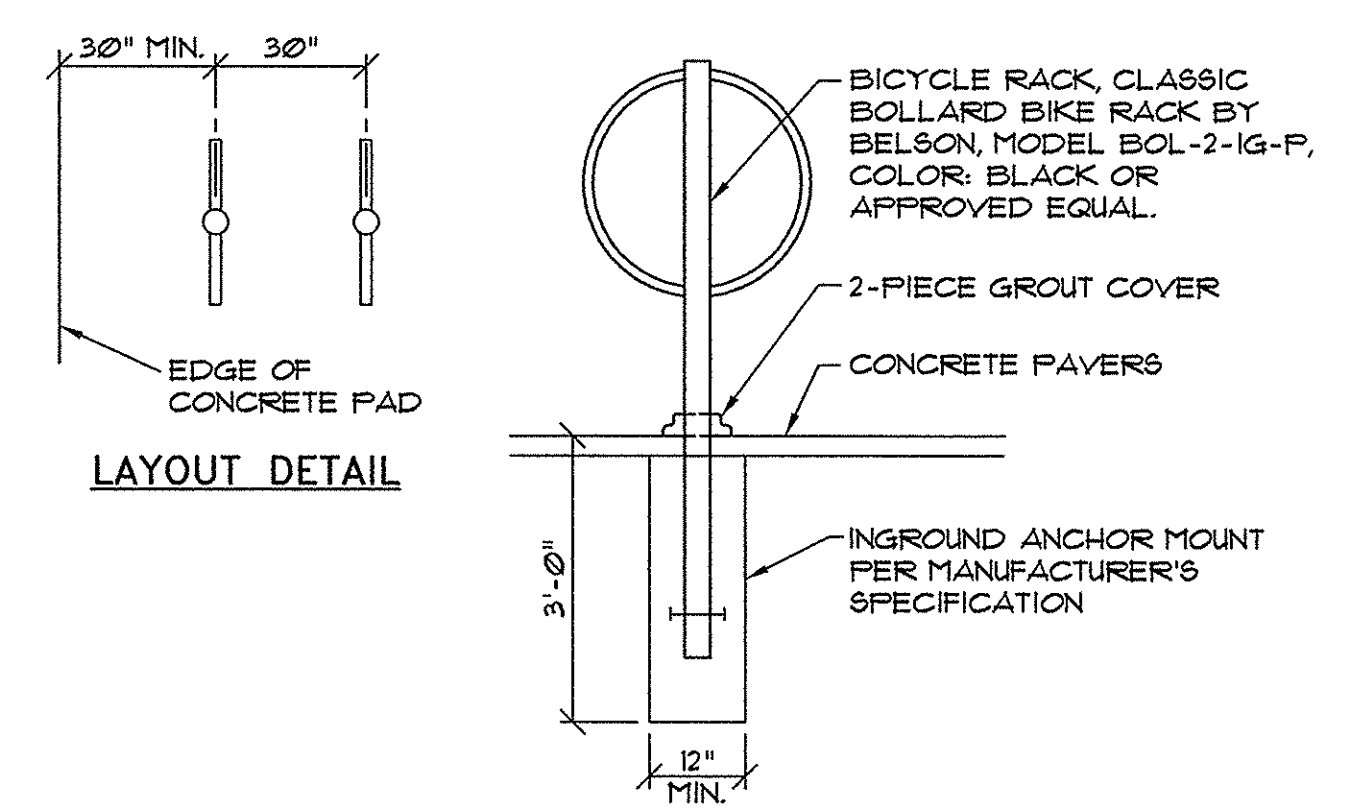
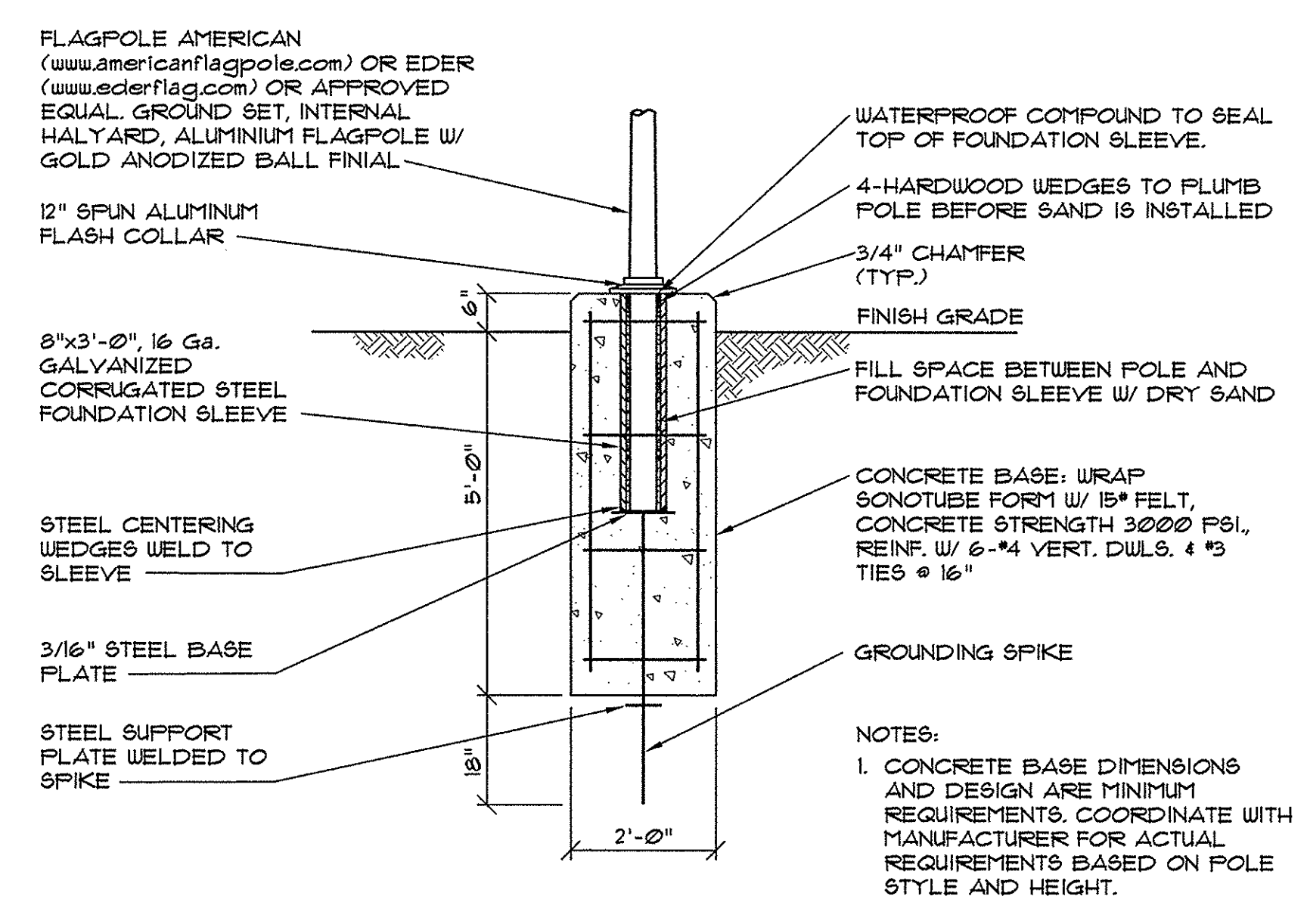


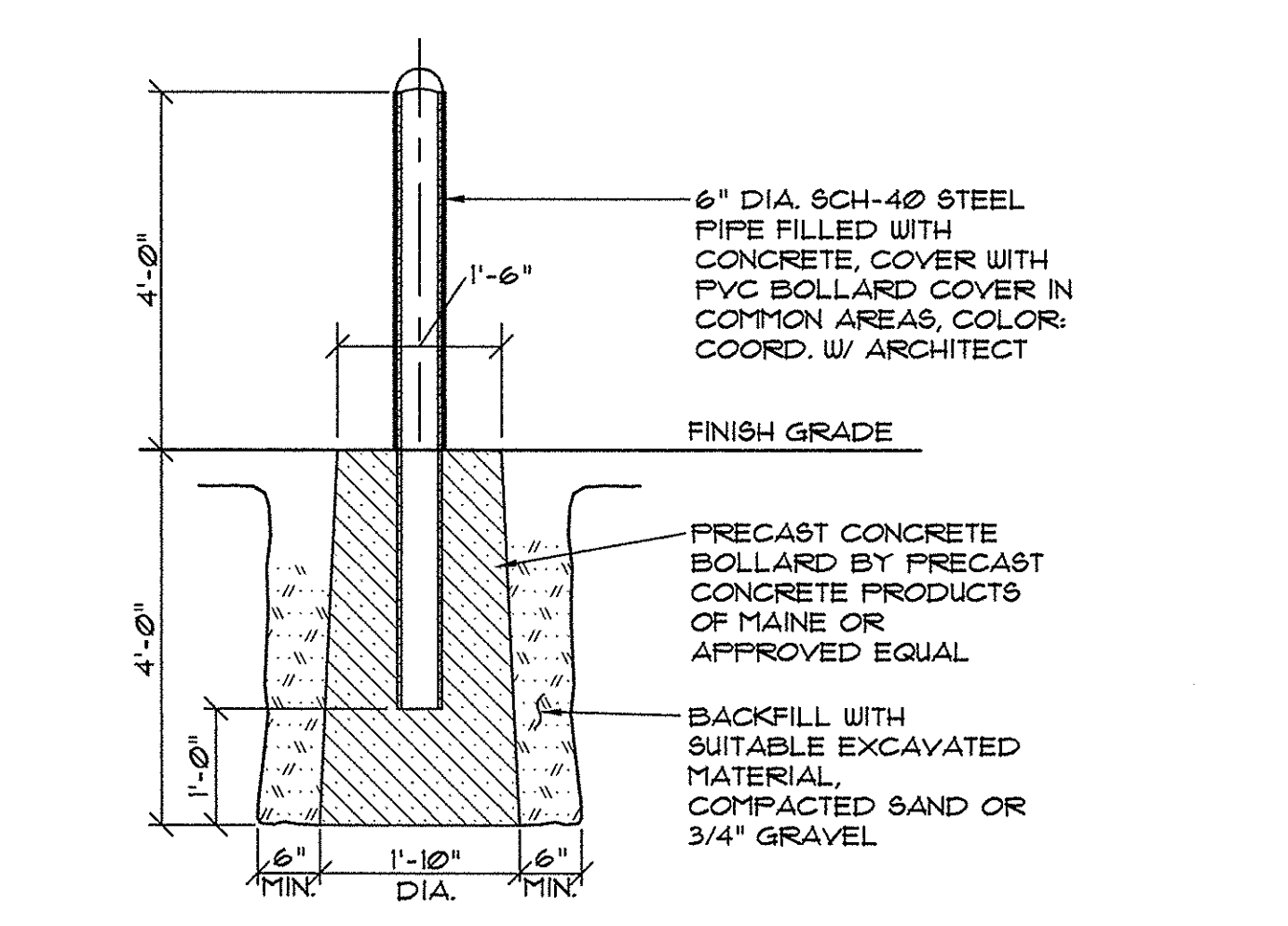
1 DUMPSTER ENCLOSURE DETAIL



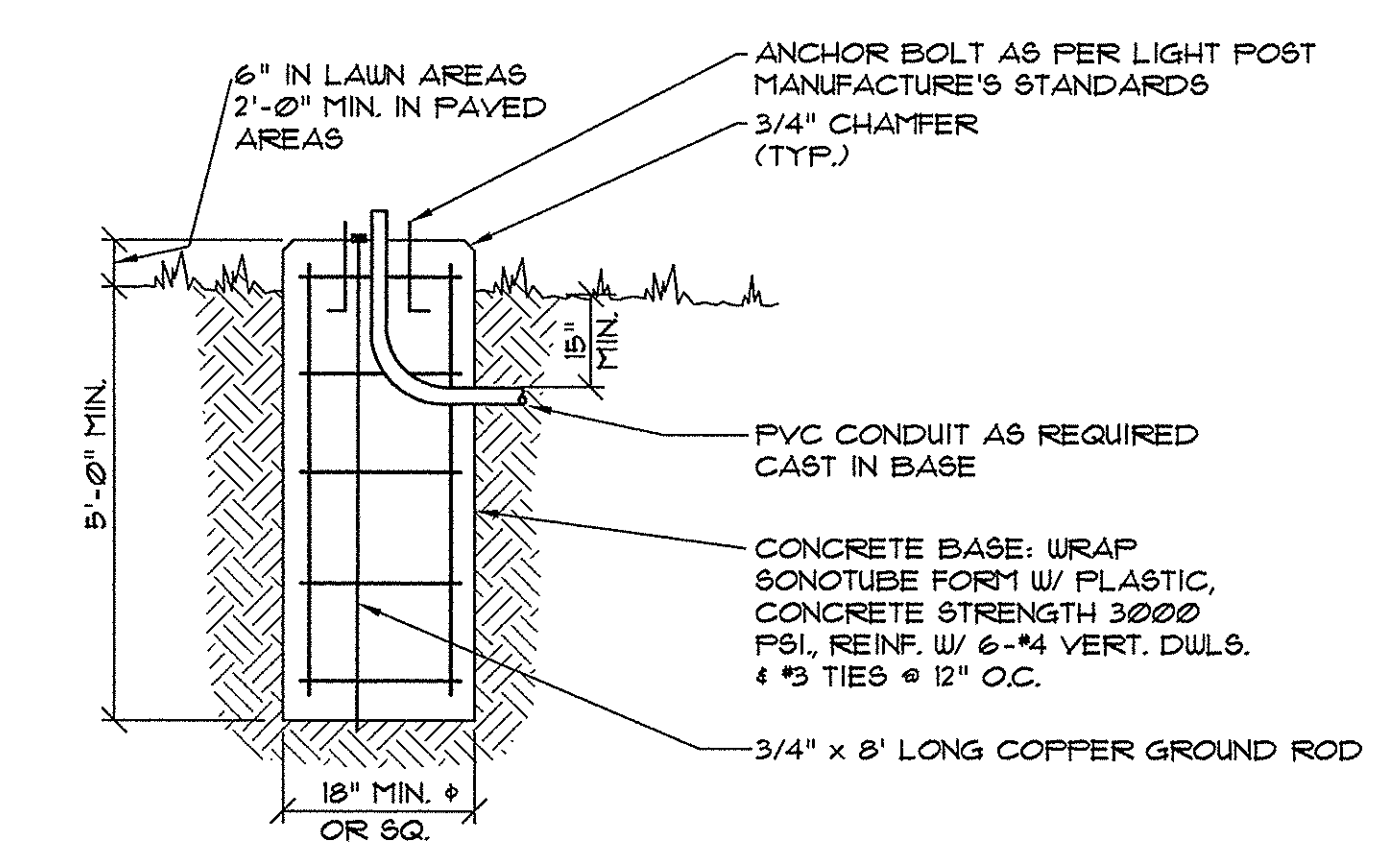
4 BIKE RACK DETAIL



5 FLAGPOLE BASE DETAIL



2 STEEL BOLLARD DETAIL



3 LIGHT POLE BASE DETAIL

UTILITY NOTES

- ALL INSTALLATION AND TESTING SHALL BE IN ACCORDANCE WITH THE AFFECTED UTILITY'S STANDARDS.
- CATCHBASINS AT THE EDGE OF PAVEMENT OR FACE OF CURB, ROTATE ECCENTRIC CONE OR FLAT COVER AS REQUIRED FOR BEST FIT.
- INSTALL AND TEST SEWER AND STORM DRAIN SYSTEMS IN ACCORDANCE WITH THE CITY'S ORDINANCES. TESTING SANITARY SEWER PIPE AND MANHOLES IS REQUIRED.
PIPE: LOW PRESSURE AIR (5PSIG) FOR 5 MINUTES.
STRUCTURES: VACUUM TEST, XX MIN LGT FOR XX MINUTES PRIOR TO BUILDING INVERT OR CHIMNEY.
- INSTALL ALL PIPES WITH THE BELLS UPGRADIENT.
- INVERTS FOR TIE-INS FROM FOUNDATION DRAINS ARE NOT SHOWN. MAINTAIN A POSITIVE SLOPE TO CONNECTION OR OUTLET. COMPLY WITH LOCAL ORDINANCES OR STANDARDS WITH RESPECT TO CONNECTING FOUNDATION DRAINS TO STORM DRAIN SYSTEM.
- WATER MAIN TO HAVE A MINIMUM 5.5' OF COVER WHERE THE WATER MAIN CROSSES OTHER UTILITIES IT MAY NEED TO BE DEEPER.
- INSULATION FOR SEWER AND CULVERT CROSSINGS:
 - INSULATION TO BE STYROFOAM SM INSULATION AS MANUFACTURED BY DOW CHEMICAL CO. OR APPROVED EQUAL, 2" MIN. THICKNESS.
 - INSTALL BETWEEN SEWER OR FORCEMAIN PIPE AND CULVERTS WHERE THEY ARE WITHIN 18" OF EACH OTHER VERTICALLY; 2" THICK x 4' WIDE, EXTEND INSULATION 6' EACH SIDE OF THE CULVERT ALONG THE CROSSING PIPE.
 - INSTALL OVER SEWER OR FORCEMAIN PIPE WHERE THERE IS LESS THAN 4' OF COVER BETWEEN THE TOP OF PIPE AND FINISH GRADE: 2" THICK x 4' WIDE CENTERED ON THE PIPE, 6" ABOVE THE PIPE.
 - FOR DUAL PIPES EXTEND INSULATION AT LEAST 2 FEET BEYOND THE OUTER EDGES OF PIPES.
- PRECAST CATCH BASIN COMPONENTS TO COMPLY WITH ASTM C418.
- LIMIT OF ROCK PAYMENT:

PRECAST CONCRETE STRUCTURES:
DEPTH: 12" BELOW STRUCTURE,
WIDTH: STRUCTURE O.D. + 2"

TRENCHES:
DEPTH: 6" BELOW PIPE OR CABLE INVERT,
WIDTH: PIPE O.D. OR CABLE + 12", MIN. 3' WIDE

LIGHTPOLE BASE:
LIMIT OF CONCRETE BASE

PAVED SURFACES:
BOTTOM OF SUBBASE RELATIVE TO FINISH SURFACE
- IDENTIFICATION TAPE TO BE INSTALLED ABOVE ALL NEW UNDERGROUND UTILITIES AND ABOVE ANY EXISTING UTILITIES THAT MAY BE EXPOSED BY THIS CONSTRUCTION.

DETECTABLE UNDERGROUND MARKING TAPE TO BE PERMANENT, BRIGHT-COLORED, CONTINUOUS-PRINTED PLASTICIZED ALUMINUM TAPE, INTENDED FOR DIRECT-BURIAL SERVICE NOT LESS THAN 3" WIDE x 5 MILS THICK. PROVIDE TAPE WITH BLACK PRINTING IDENTIFYING THE UTILITY. DETECTABLE WARNING TAPE REQUIRED OVER ALL WATER, SEWER, DRAINAGE, OR GAS UTILITIES. TAPE TO BE TERRA TAPE BY REEF INDUSTRIES, INC., www.reefindustries.com, OR EQUAL.

AFWA UNIFORM COLOR CODE:
WHITE PROPOSED EXCAVATION
PINK TEMPORARY SURVEY MARKINGS
RED ELECTRIC POWER LINES, CABLES, CONDUIT AND LIGHTING CABLES
YELLOW GAS, OIL, STEAM, PETROLEUM OR GASEOUS MATERIALS
ORANGE COMMUNICATION, ALARM OR SIGNAL LINES, CABLES OR CONDUIT
BLUE POTABLE WATER
PURPLE RECLAIMED WATER, IRRIGATION AND SLURRY LINES
GREEN SEWERS AND DRAIN LINES
- MATERIALS: SEE PLANS FOR SIZES

STORM DRAIN: TYPICAL: WITHIN ROW OF STATE ROAD:	FE N12, SMOOTH WALL REINFORCED CONCRETE PIPE
UNDERDRAIN: MEETING AASHTO H-20 LOADING	PERFORATED FE N12
SANITARY SEWER: MEETING ASTM D3034 W/ A REMOVABLE GASKET MEETING ASTM D3212	PVC, SDR 35
FORCEMAIN:	PVC, SDR 11
WATER MAIN:	CEMENT LINED DUCTILE IRON CLASS 52
WATER SERVICE:	CTS 200 PSI, FE
FOUNDATION DRAIN: MEETING AASHTO H-20 LOADING COORD. WITH STRUCTURAL FOR CONNECTION WITHIN 8' OF FOUNDATION	PERFORATED FE N12

PINKHAM & GREER
CIVIL ENGINEERS
28 WILLOW AVE. PORTLAND, ME. 04103
TEL: 207.781.5642 FAX: 207.781.4245

REV.	DATE	DESCRIPTION
1	02/16	REV PER CITY REVIEW COMMENTS

NORTHLAND ENTERPRISES, LLC
17 SOUTH STREET
PORTLAND, MAINE 04101

1945 CONGRESS STREET
ELKS LODGE, PORTLAND, MAINE

SCALE: AS SHOWN
DATE: JUNE 17, 2016
PROJECT: 13151

DRN BY: RJS
DESIGN BY: TSG
CHK BY: TSG

DETAILS

C2.5

MAPLOT 216-A-6 & 217-A-1