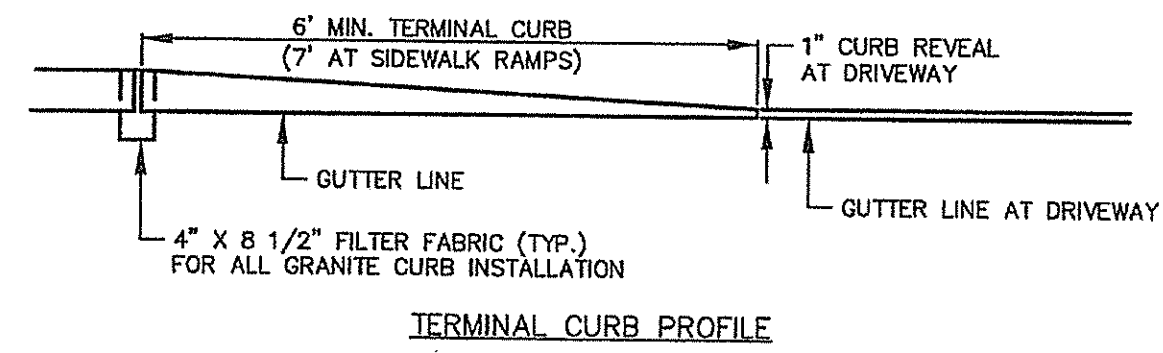
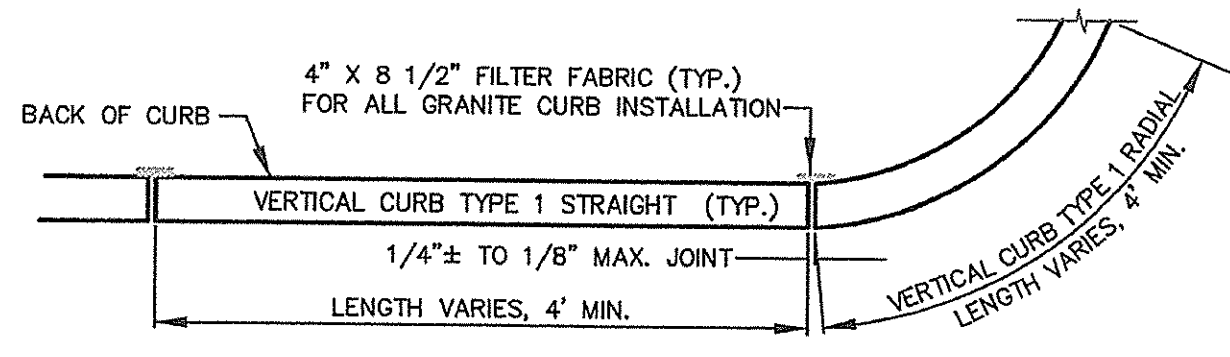


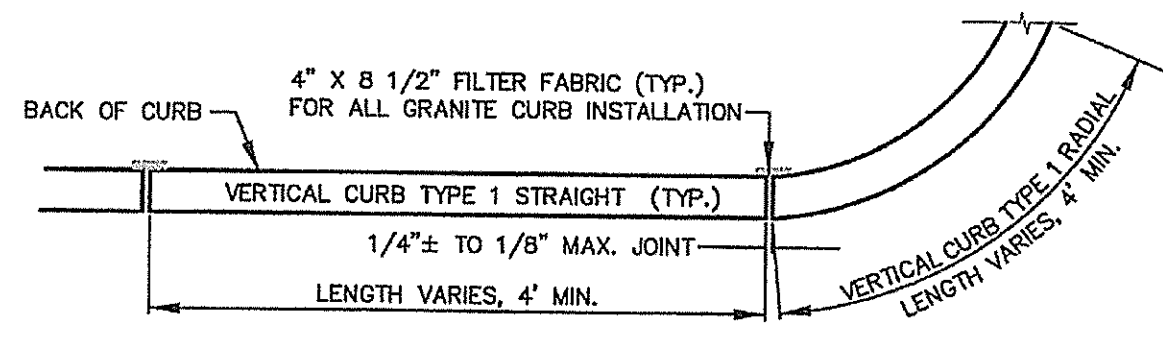
TERMINAL CURB PROFILE



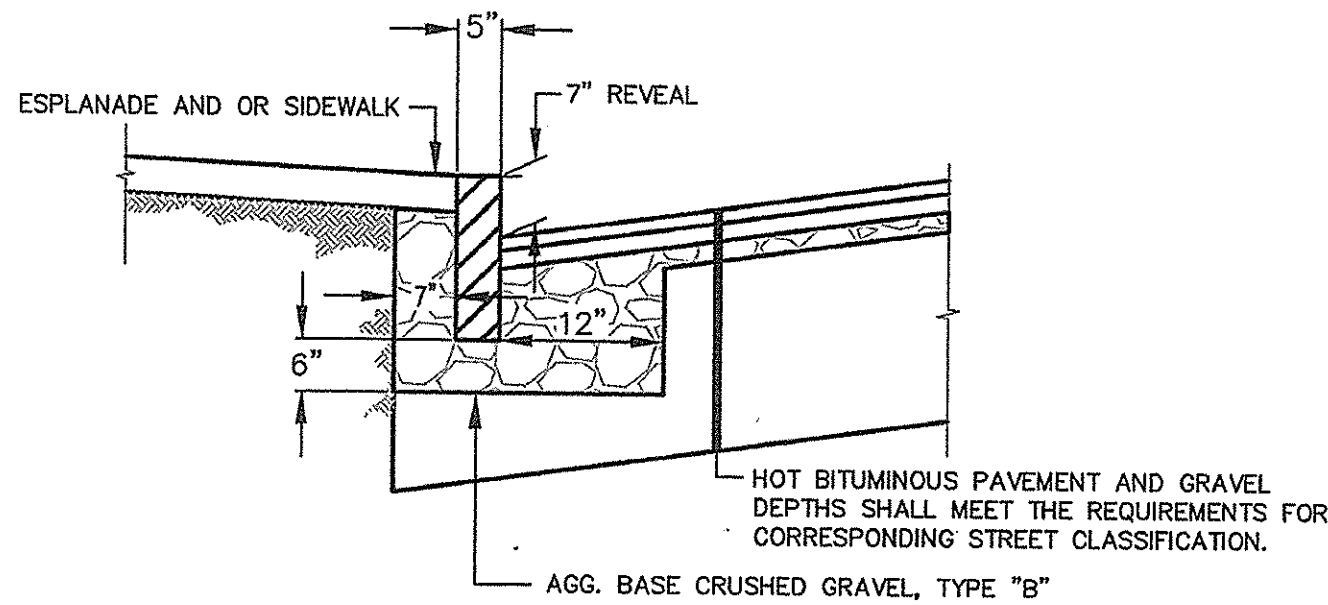
TERMINAL CURB PROFILE



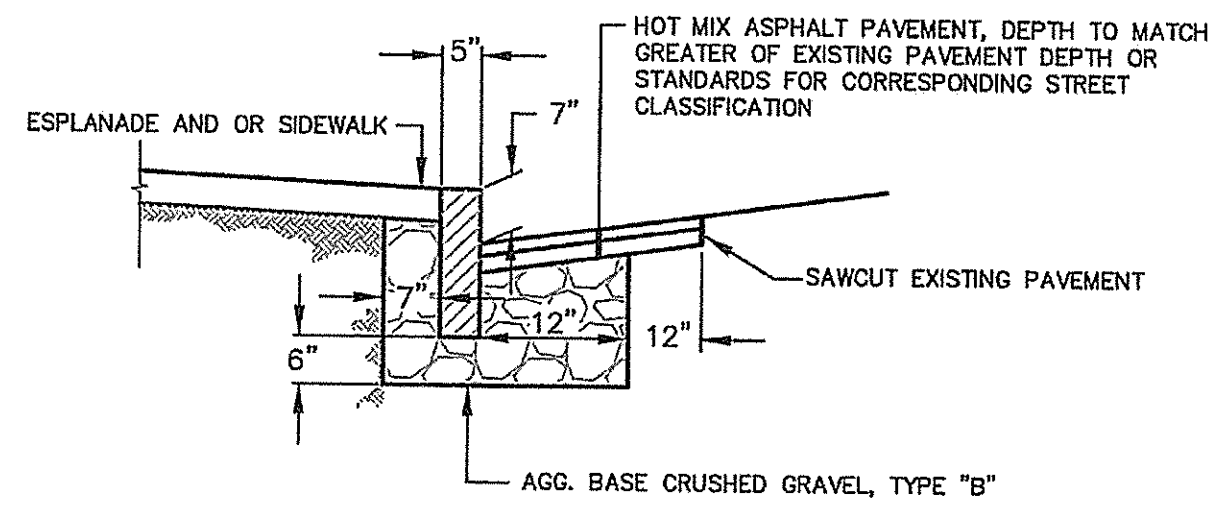
VERTICAL GRANITE CURB PLAN VIEW



VERTICAL GRANITE CURB PLAN VIEW



VERTICAL GRANITE CURB CROSS SECTION



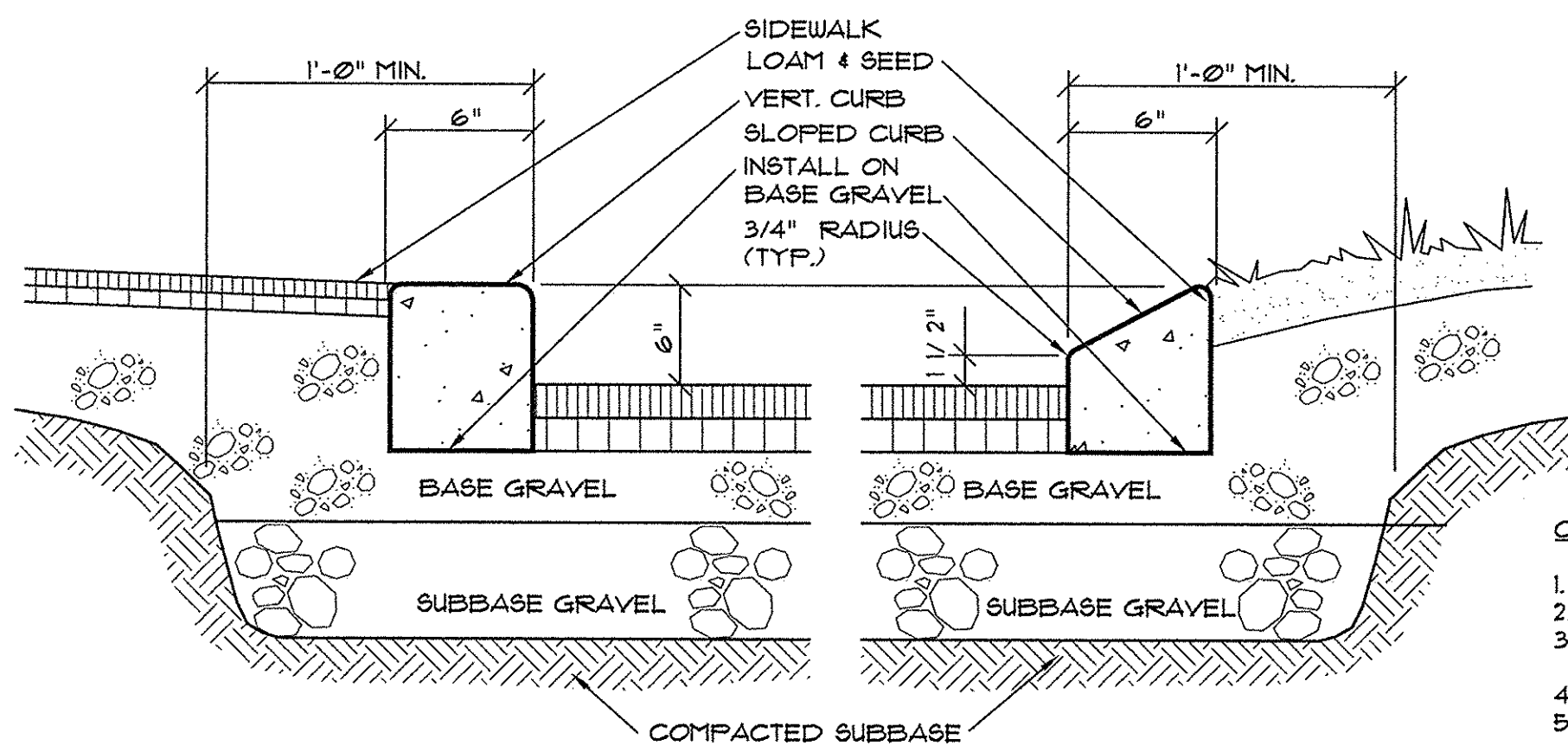
VERTICAL GRANITE CURB CROSS SECTION

6 VERTICAL GRANITE CURB FULL DEPTH STREET CONSTRUCTION (I-16)

NOT TO SCALE

5 VERTICAL GRANITE CURB INSTALLATION IN EXISTING STREET (I-17)

NOT TO SCALE



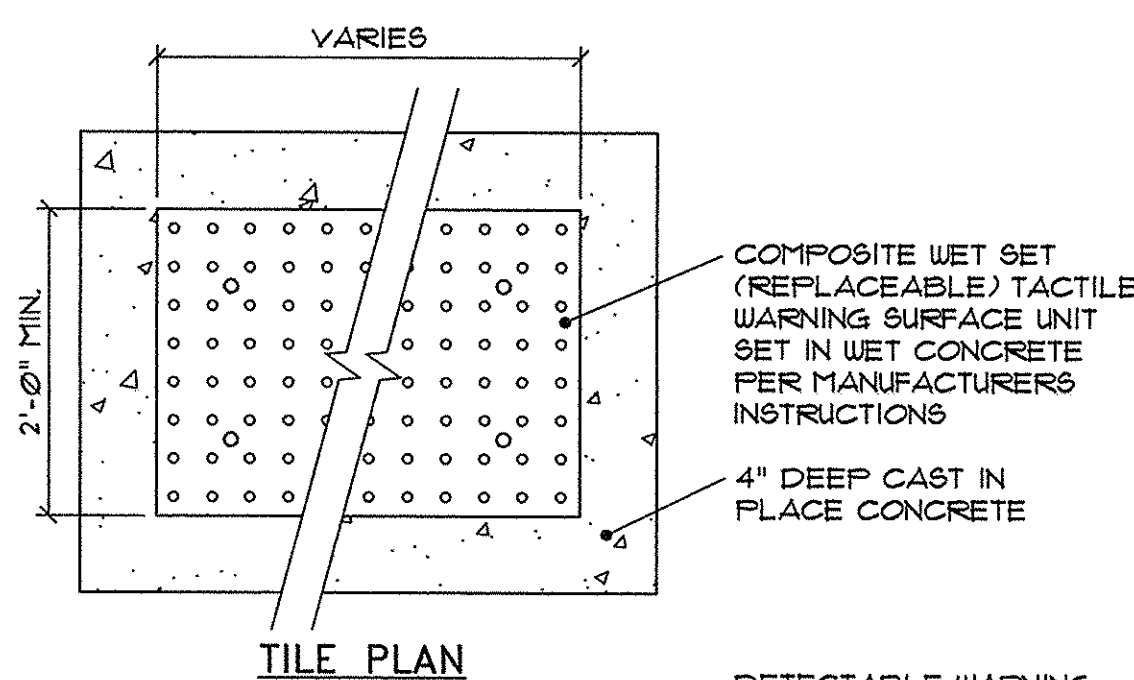
VERTICAL CURB SLOPED CURB

CONCRETE NOTES:

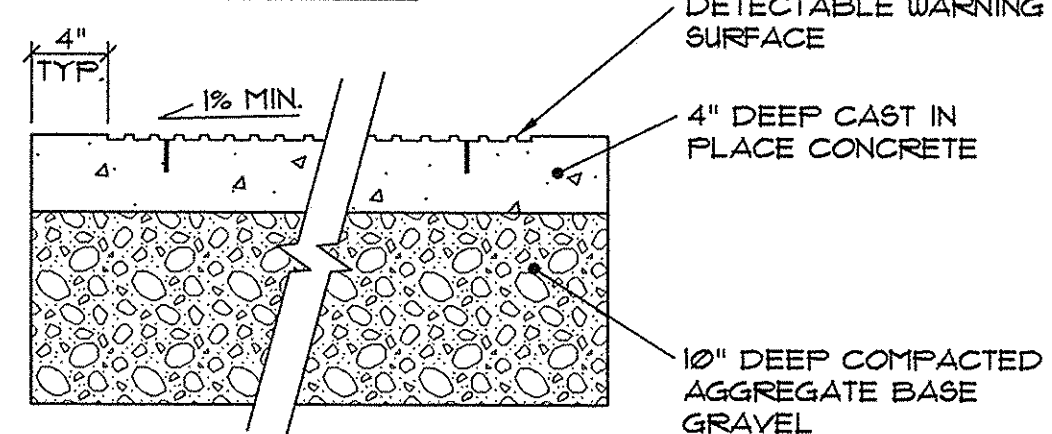
1. MIN. 28 DAY COMPRESSIVE STRENGTH: 4000 PSI
2. AIR ENTRAINMENT: 4% TO 6%
3. REINFORCING: FIBERMESH OR EQUIVALENT GRACE PRODUCT, STRAND LENGTH 1 1/2", 1" TO 1 1/2 LB/CUBIC YARD.
4. SLUMP: 1" TO 1 1/2"
5. FINISH: VERTICAL AND TOP FACES: SMOOTH SLIFFORM SLOPED FACES: BROOM
6. JOINTS: SAWCUT 10' O.C. 3" DEEP THE DAY AFTER PLACING.
7. SEALER: SALTGUARD OR EQUAL WATER BASED SEALER.

NOT TO SCALE

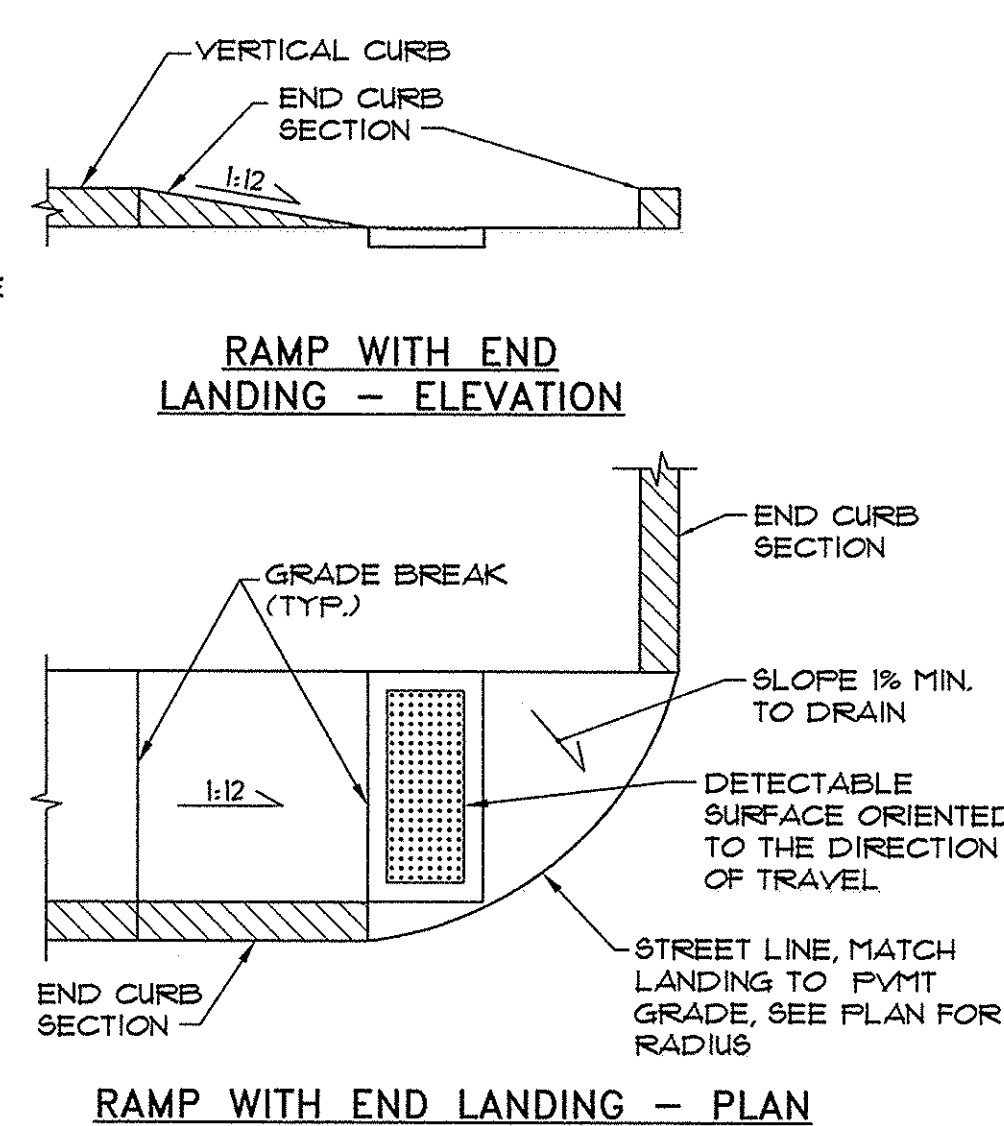
7 SLIPFORM CONCRETE CURB DETAILS



TILE PLAN



TILE SECTION



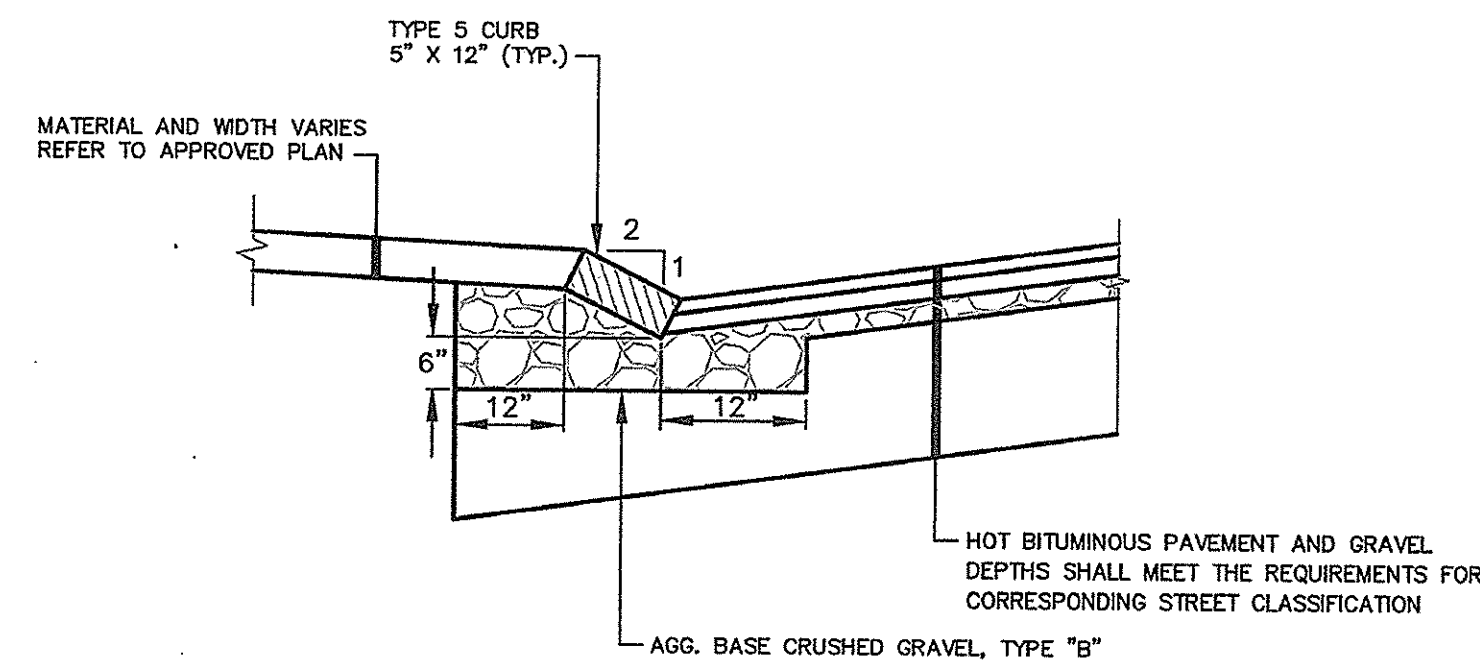
RAMP WITH END LANDING - PLAN

NOTE: DETECTABLE WARNING TILE REQUIRED AT ALL SIDEWALK RAMP.

NOT TO SCALE

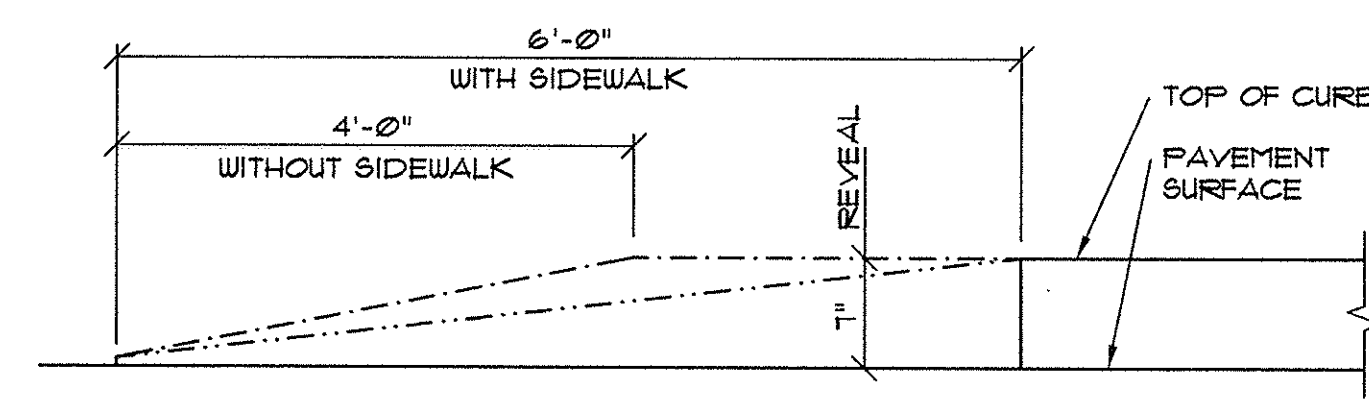
8 DETECTABLE WARNING SECTIONS

NOTE: INDIVIDUAL PIECES OF CURB SHORTER THAN 4 L.F. ARE NOT ALLOWED, WITH THE EXCEPTION OF RADIAL CURB.

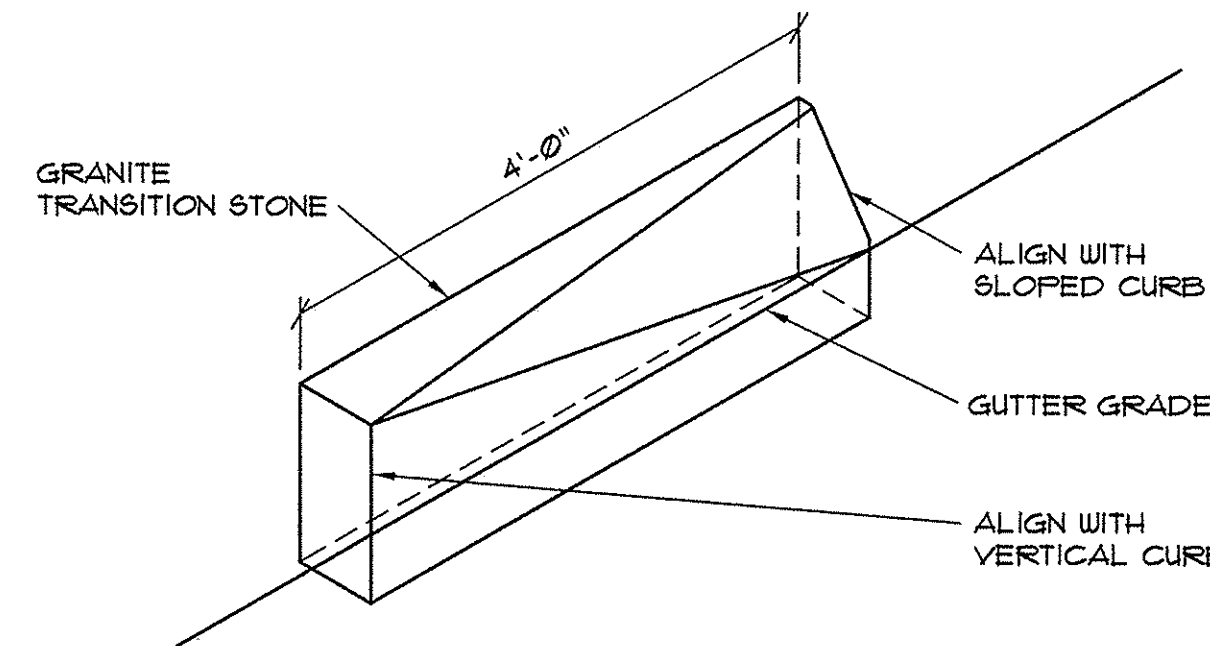


4 SLOPED GRANITE CURB-FULL DEPTH STREET CONSTRUCTION (I-18)

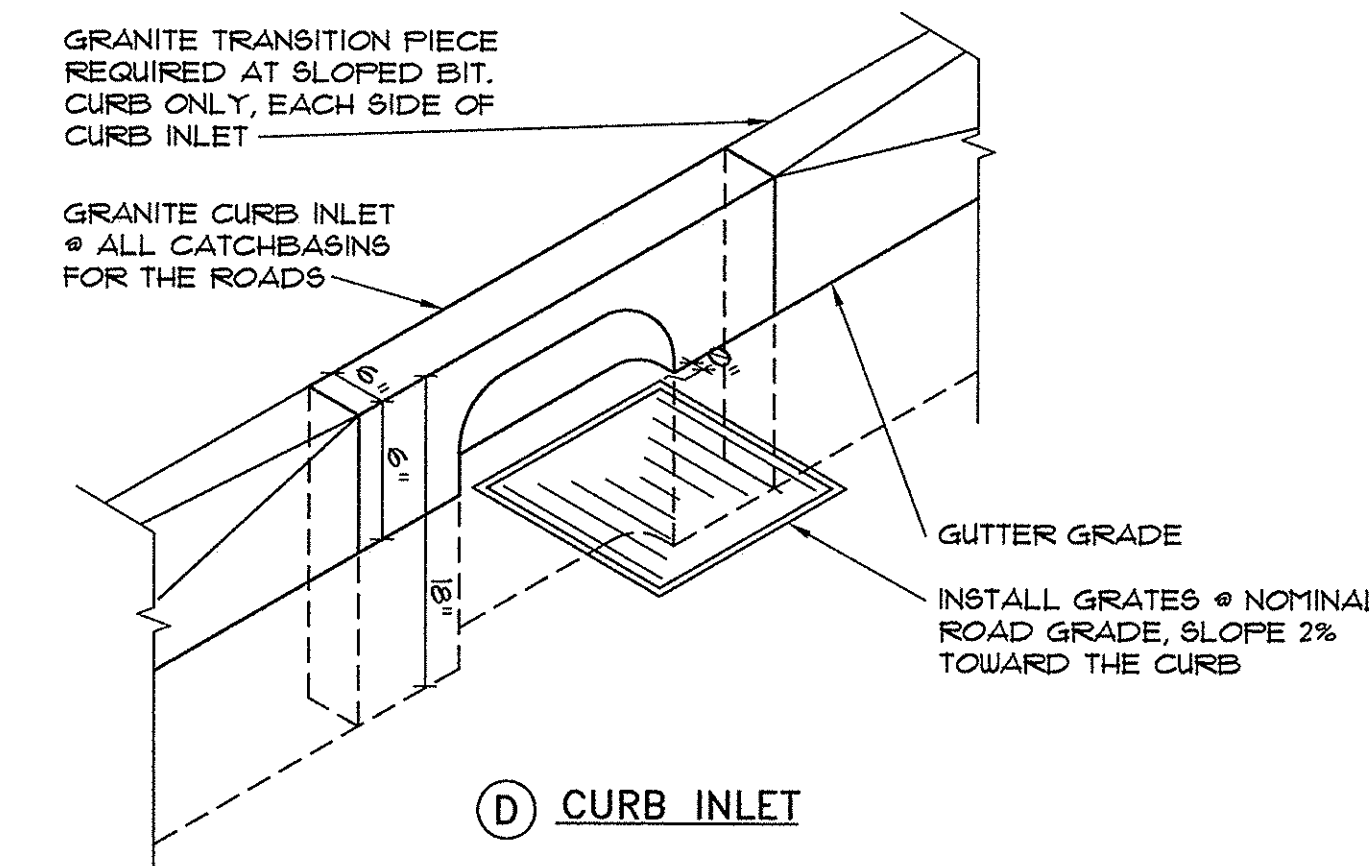
NOT TO SCALE



TIP-DOWN & TERMINAL END DIMENSIONS



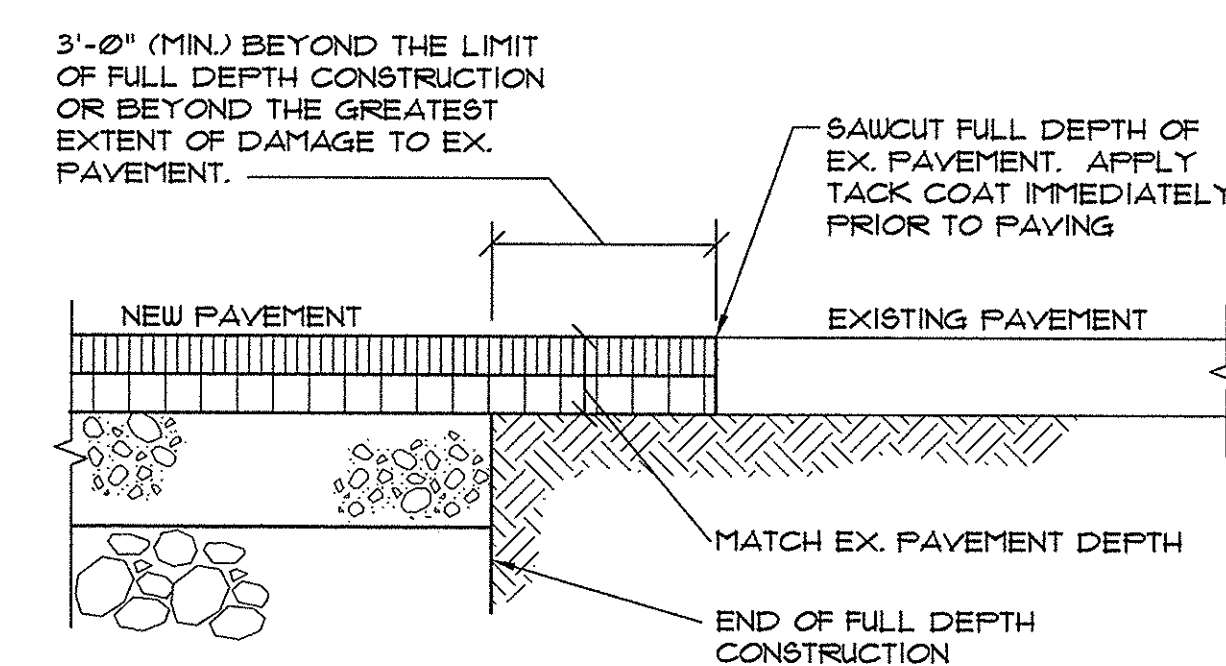
GRANITE VERTICAL TO SLOPED TRANSITION PIECE



D CURB INLET

2 CURB TERMINATION & TRANSITIONS

NOT TO SCALE



3 PAVEMENT CUTTING & MATCHING SECTION

NOT TO SCALE

CONSTRUCTION	USE
<ul style="list-style-type: none"> <li>1 1/4" HMA MDOT 9.5mm</li> <li>2 1/4" HMA MDOT 19.0mm</li> <li>4" COMPACTED AGGREGATE BASE, MDOT 103.06(a) TYPE A</li> <li>15" COMPACTED AGGREGATE SUBBASE, MDOT 103.06(b) TYPE D</li> <li>COMPACTED SUBGRADE</li> </ul>	BITUMINOUS PAVEMENT ACCESS ROAD PARKING LOT
<ul style="list-style-type: none"> <li>PERMEA PAVER, SEE NOTE 3</li> <li>2" STONE BEDDING COURSE &amp; JOINT FILL</li> <li>15" COMPACTED 3/4" CRUSHED STONE</li> <li>GEOTEXTILE, TURN UP AT SIDES</li> <li>COMPACTED SUBGRADE</li> </ul>	PERVIOUS PAVEMENT PARKING
<ul style="list-style-type: none"> <li>2 - 1" LAYERS OF HMA MDOT 9.5mm</li> <li>12" COMPACTED AGGREGATE BASE, MDOT 103.06(a) TYPE A</li> <li>COMPACTED SUBGRADE</li> </ul>	BITUMINOUS SIDEWALKS
<ul style="list-style-type: none"> <li>4" COMPACTED AGGREGATE BASE, MDOT 103.06(a) TYPE A</li> <li>15" COMPACTED AGGREGATE SUBBASE, MDOT 103.06(b) TYPE D</li> <li>COMPACTED SUBGRADE</li> </ul>	GRAVEL TRAIL
<ul style="list-style-type: none"> <li>1" CONC. SLAB W/ 6x6 W2.5xW2.5 WUF @ MIDHEIGHT OF SLAB</li> <li>THICKENED SLAB</li> <li>2 - #4 CONT.</li> <li>12" COMPACTED AGGREGATE BASE, MDOT 103.06(a) TYPE A</li> <li>COMPACTED SUBGRADE</li> </ul>	CONCRETE PLAZA AREAS
<ul style="list-style-type: none"> <li>EXTEND BASE 4" MIN.</li> <li>CONCRETE PAVERS W/ STABILIZED SAND FILL</li> <li>EDGING WITH STEEL SPIKES ALONG NON-PAVEMENT EDGES</li> <li>4" COMPACTED AGGREGATE BASE, MDOT 103.06(a) TYPE A</li> <li>COMPACTED SUBGRADE</li> </ul>	CONCRETE PAVERS PLAZA AREAS
<ul style="list-style-type: none"> <li>8" CONC. SLAB W/ #4 @ 12" E.W. @ MIDHEIGHT OF SLAB</li> <li>THICKENED SLAB</li> <li>2 - #4 CONT.</li> <li>12" COMPACTED AGGREGATE BASE, MDOT 103.06(a) TYPE A</li> <li>COMPACTED SUBGRADE</li> </ul>	CONCRETE EQUIPMENT & BIKE RACK PADS
<ul style="list-style-type: none"> <li>4" TOPSOIL, NO STONES OVER 3/4" DIA.</li> <li>GRANULAR MATERIAL IN FILL AREAS</li> <li>COMPACTED SUBGRADE</li> </ul>	GRASS ALL DISTURBED AREAS
<ul style="list-style-type: none"> <li>3" BARKMULCH</li> <li>PREPARED SUBGRADE</li> </ul>	PLANT BED BARKMULCH

NOTES:

1. HMA = HOT MIX ASPHALT. MDOT = MAINE DEPARTMENT OF TRANSPORTATION.
2. ALL COURSE THICKNESS AFTER FINAL COMPACTION.
3. TECO-BLOC PERMEA PERMEABLE PAVEMENT OR APPROVED EQUAL. AVAILABLE THRU GAGNE & SON.

1 SCHEDULE OF SURFACE FINISHES

NOT TO SCALE

**PINKHAM & GREER CIVIL ENGINEERS**  
28 WINDHAM AVE. PORTLAND, ME. 04103  
TEL. 207.781.5542 FAX. 207.781.4945

THOMAS S. GREER  
NO. 4888  
REGISTERED PROFESSIONAL ENGINEER  
STATE OF MAINE  
PROJECT NO. 2016-010  
DATE: 8/25/16

REV.	DATE	DESCRIPTION
1	8/25/16	REVISED PER CITY REVIEW COMMENTS

NORTHLAND ENTERPRISES, LLC  
17 SOUTH STREET  
PORTLAND, MAINE 04101

1945 CONGRESS STREET  
ELKS LODGE, PORTLAND, MAINE

SCALE: AS SHOWN  
DATE: JUNE 17, 2016  
PROJECT: 13151

DRN BY: RJS  
DESIGN BY: TSG  
CHK BY: TSG

C2.3

MAPLOT 216-A & 217-A-1