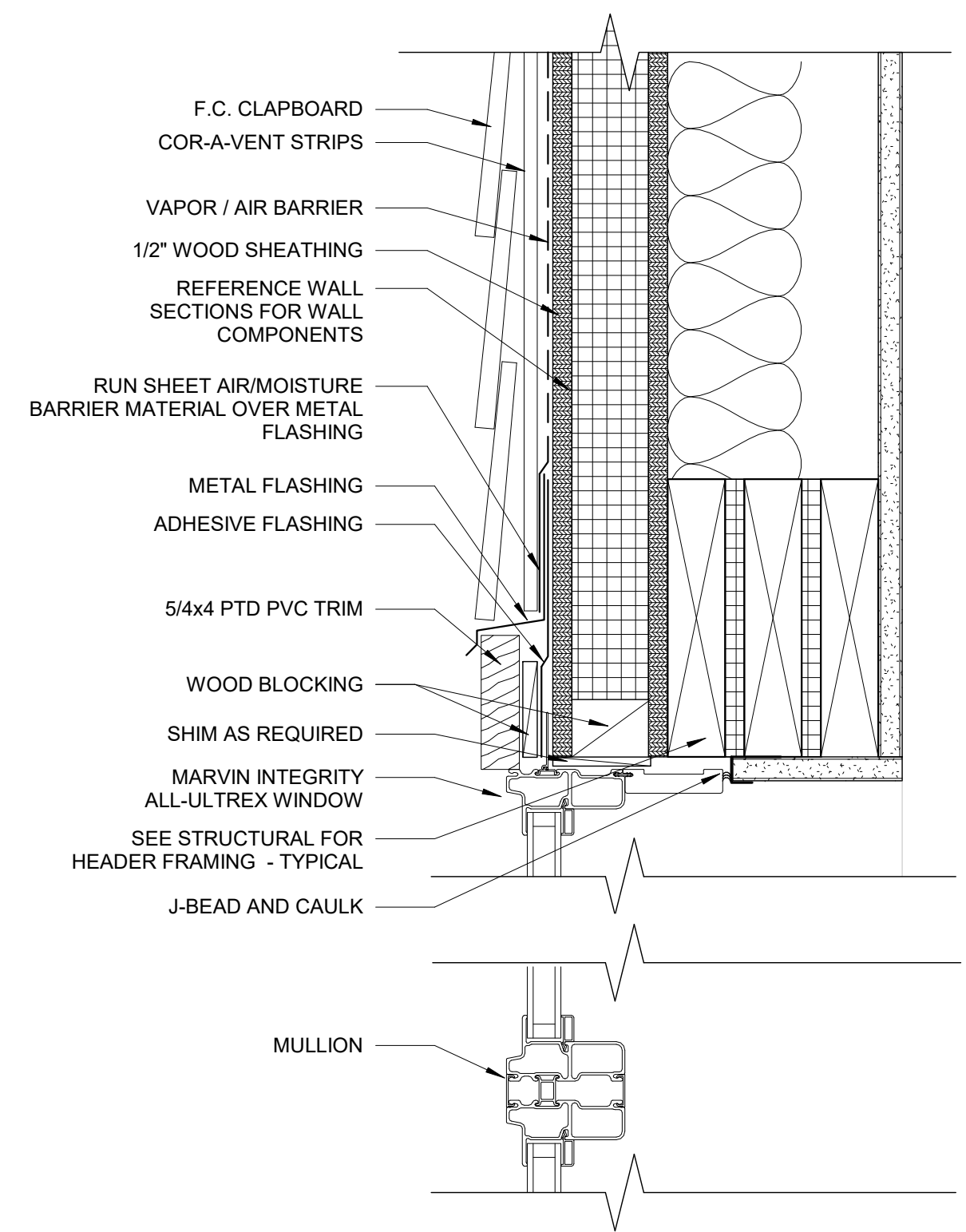
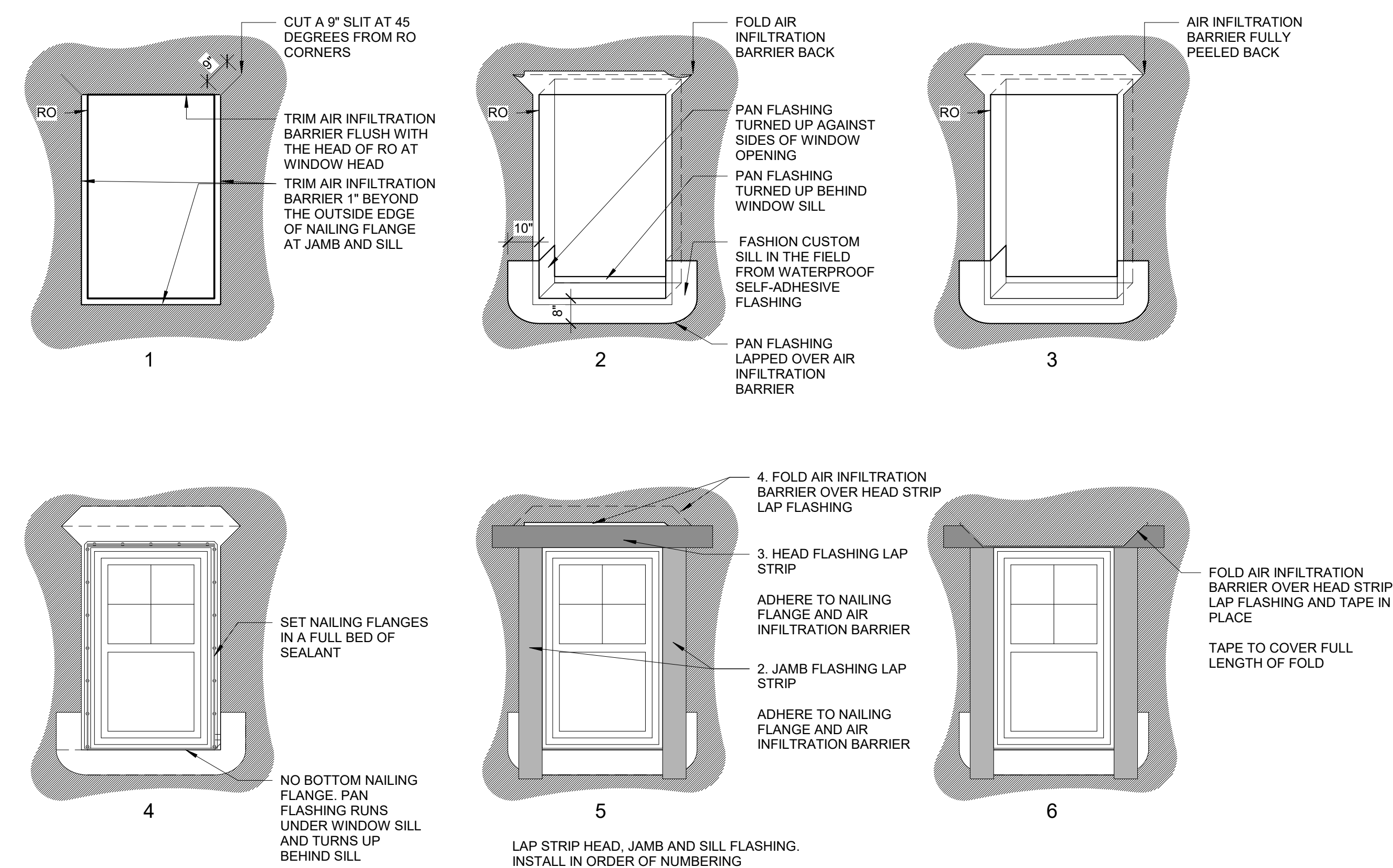


**6 STOREFRONT TYPES**  
1/4" = 1'-0"



**3 TYP. WINDOW HEAD SECTION**  
3" = 1'-0"

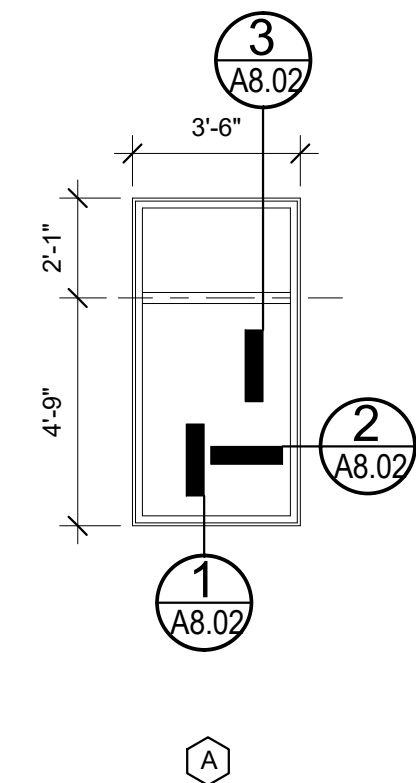


**ORDER OF INSTALLATION OF WATER PROOFING AT WINDOWS.**  
WATER PROOFING AT STOREFRONT AND DOORS USE STEPS 1-3

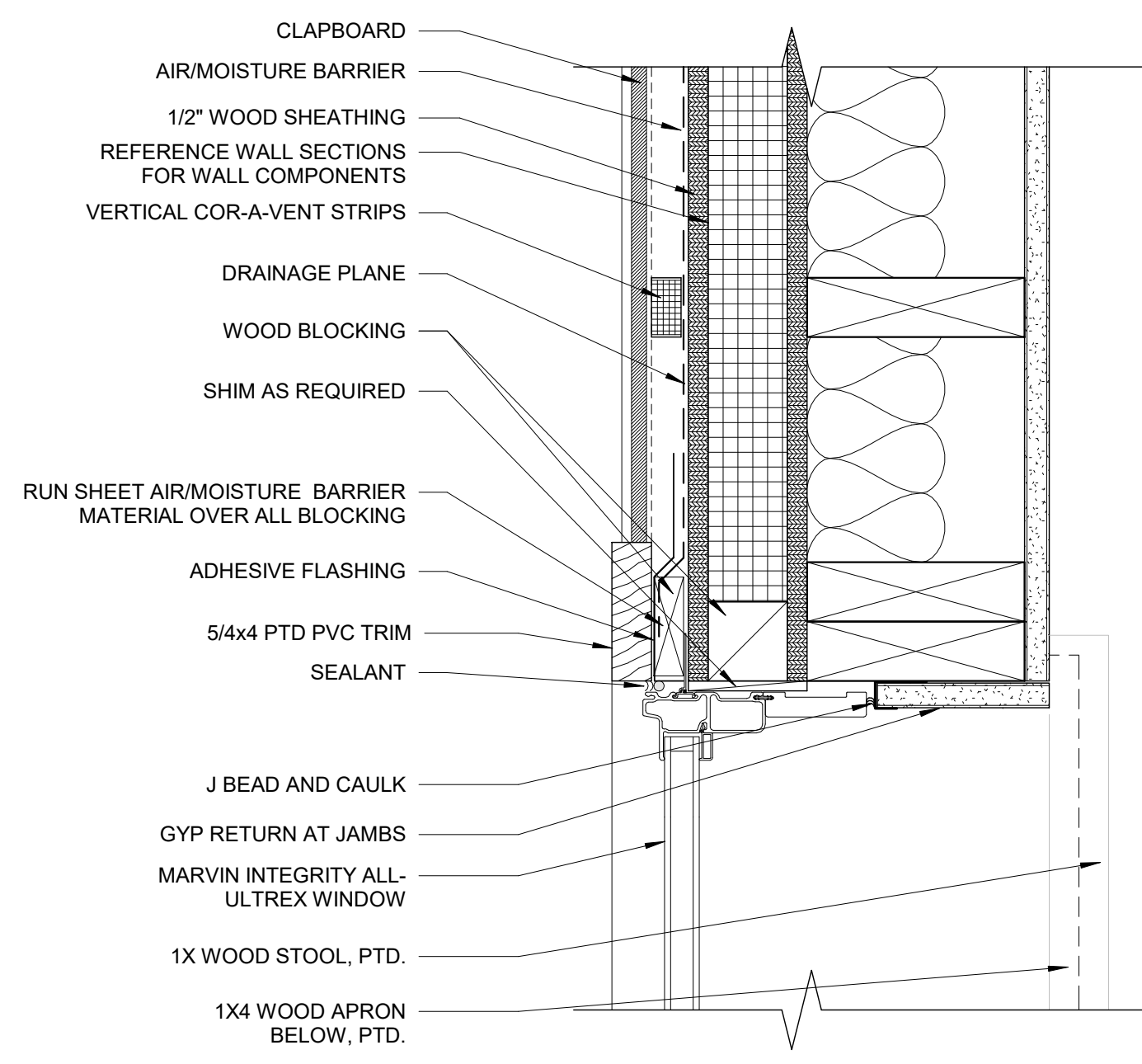
NOTE: MOCK-UP FIRST WINDOW TO BE APPROVED BY MSHA, AND ARCHITECT PRIOR TO ANY INSTALLATION

- NOTES:  
1. INSTALL AIR INFILTRATION BARRIER IN ORDER AS SHOWN BY NUMBERS.  
2. IF APPLICABLE, LEAVE RELEASE PAPER ON LOWER HALF OF SILL FLASHING UNTIL FUTURE TIE-IN.  
3. INSTALL FLASHING AND AIR INFILTRATION BARRIER TO FORM WATER SHEDDING LAPS  
4. COORDINATE WITH FLASHING REQUIREMENTS OF WINDOW MANUFACTURER  
5. FOLLOW MANUFACTURERS RECOMMENDATIONS FOR INSTALLATION.

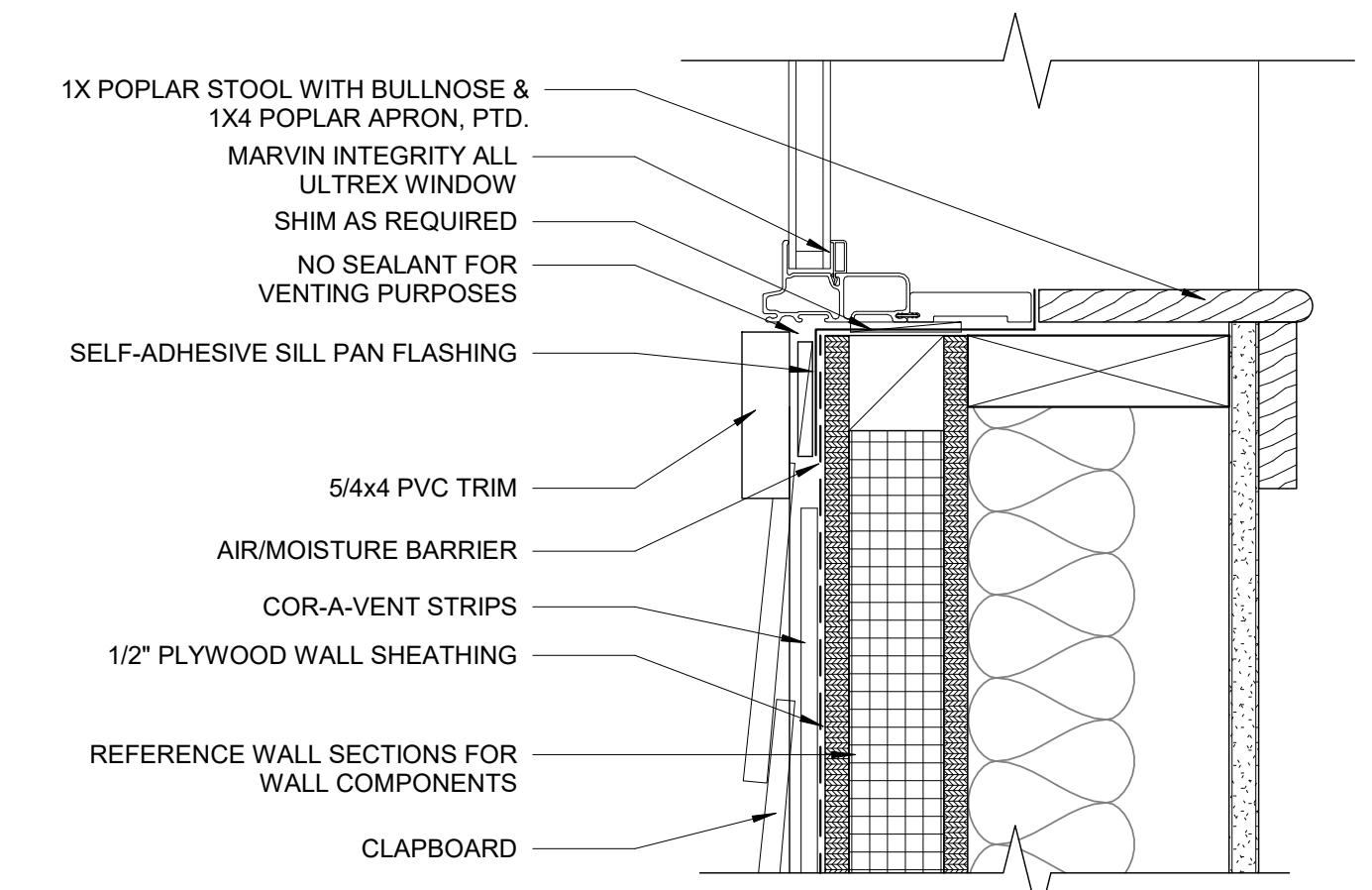
**5 ORDER OF INSTALLATION OF WATERPROOFING AT WINDOWS**  
3/8" = 1'-0"



**4 TYPICAL WINDOW**  
1/4" = 1'-0"



**2 TYP. WINDOW JAMB SECTION**  
3" = 1'-0"



**1 TYP. WINDOW SILL SECTION**  
3" = 1'-0"