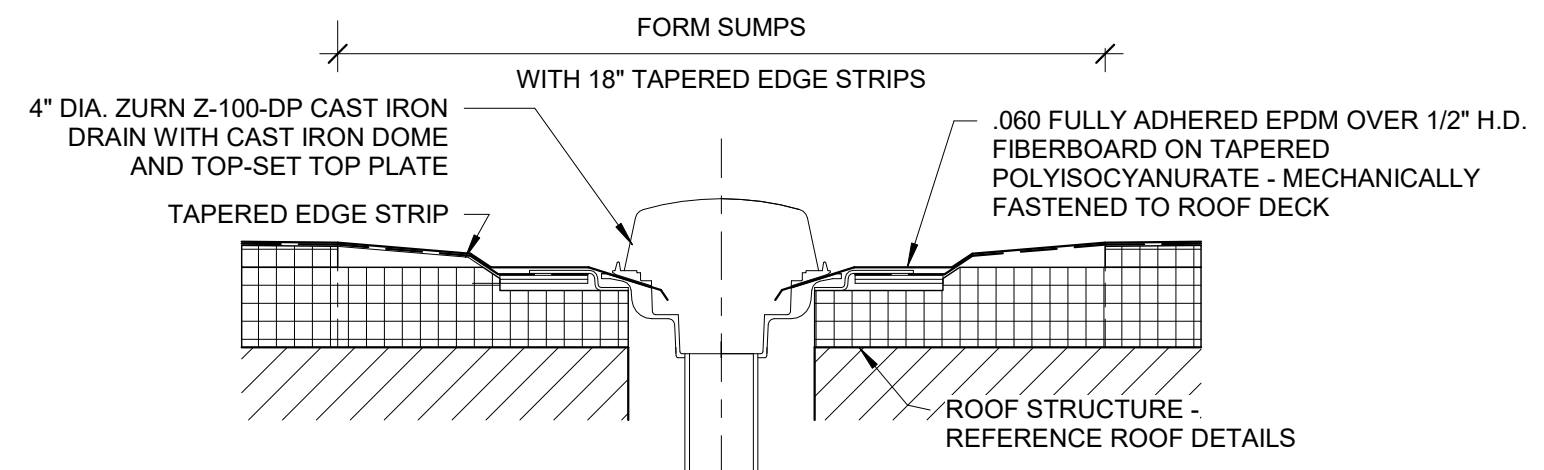
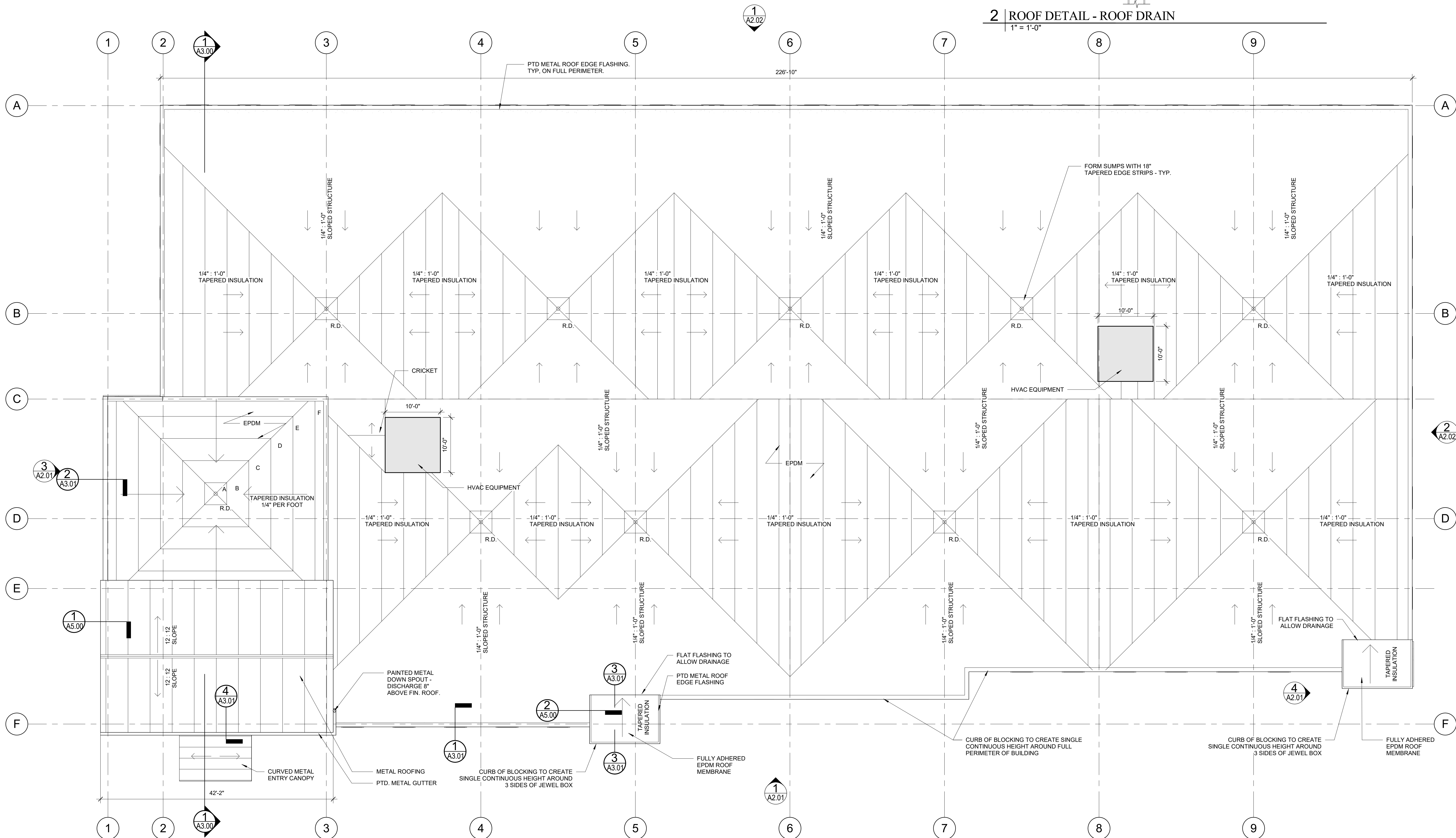


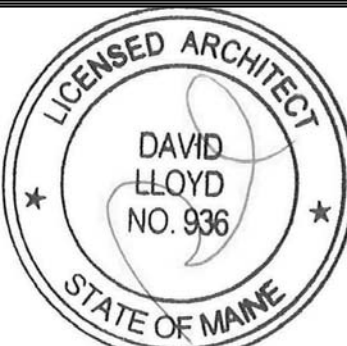
TAPERED POLYISOCYANURATE LAYOUT	
1/4" PER FOOT TAPERED CODE LETTER	THICKNESS (INCH)
A	4" - 5"
B	5" - 6"
C	6" - 7"
D	7" - 8"
E	8" - 9"
F	9" - 10"



**2 | ROOF DETAIL - ROOF DRAIN**  
1" = 1'-0"



**1 | ROOF**  
1/8" = 1'-0"



Prepared For:  
**NORTHLAND MANAGEMENT**  
Address  
City, State

Consultant:  
**ARCHETYPE architects**  
48 Union Wharf Portland, Maine 04101  
(207) 772-6022 ARCHETYPE@ARCHETYPEPA.COM

Project:  
**CLARK INSURANCE**  
1945 CONGRESS ST  
PORTLAND, ME 04102

Revisions:

Date: 06 OCT 2016  
Scale: As indicated  
**ROOF PLAN**

**A1.02**

