

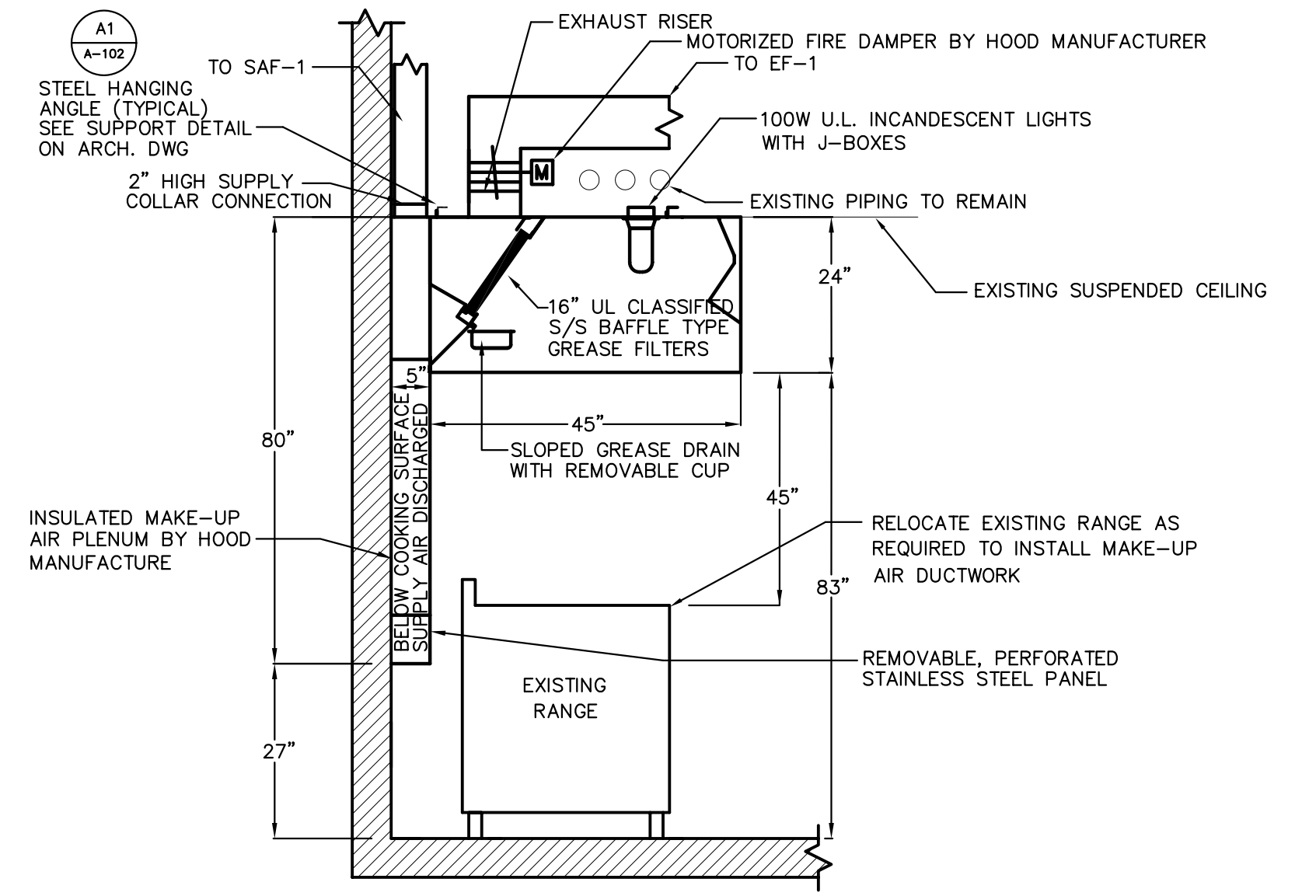
ELECTRICAL KEY NOTES

- 1. CONNECT HOOD LIGHTS AND CONTROLS TO EXISTING BRANCH CIRCUIT FROM WHICH EXISTING EXHAUST FAN WAS REMOVED CONTROL VIA LIGHT SWITCH.
- 2. CONNECT GAS VALVE TO SHUT OFF GAS UPON ACTIVATION OF HOOD FIRE SUPPRESSION SYSTEM. CONNECT TO CIRCUIT LP-42.
- 3. CONNECT HOOD FIRE SUPPRESSION SYSTEM TO INITIATE A SUPERVISORY SIGNAL AT FIRE ALARM CONTROL PANEL AND SHUT DOWN HOOD SUPPLY FAN UPON ACTIVATION OF FIRE SUPPRESSION.

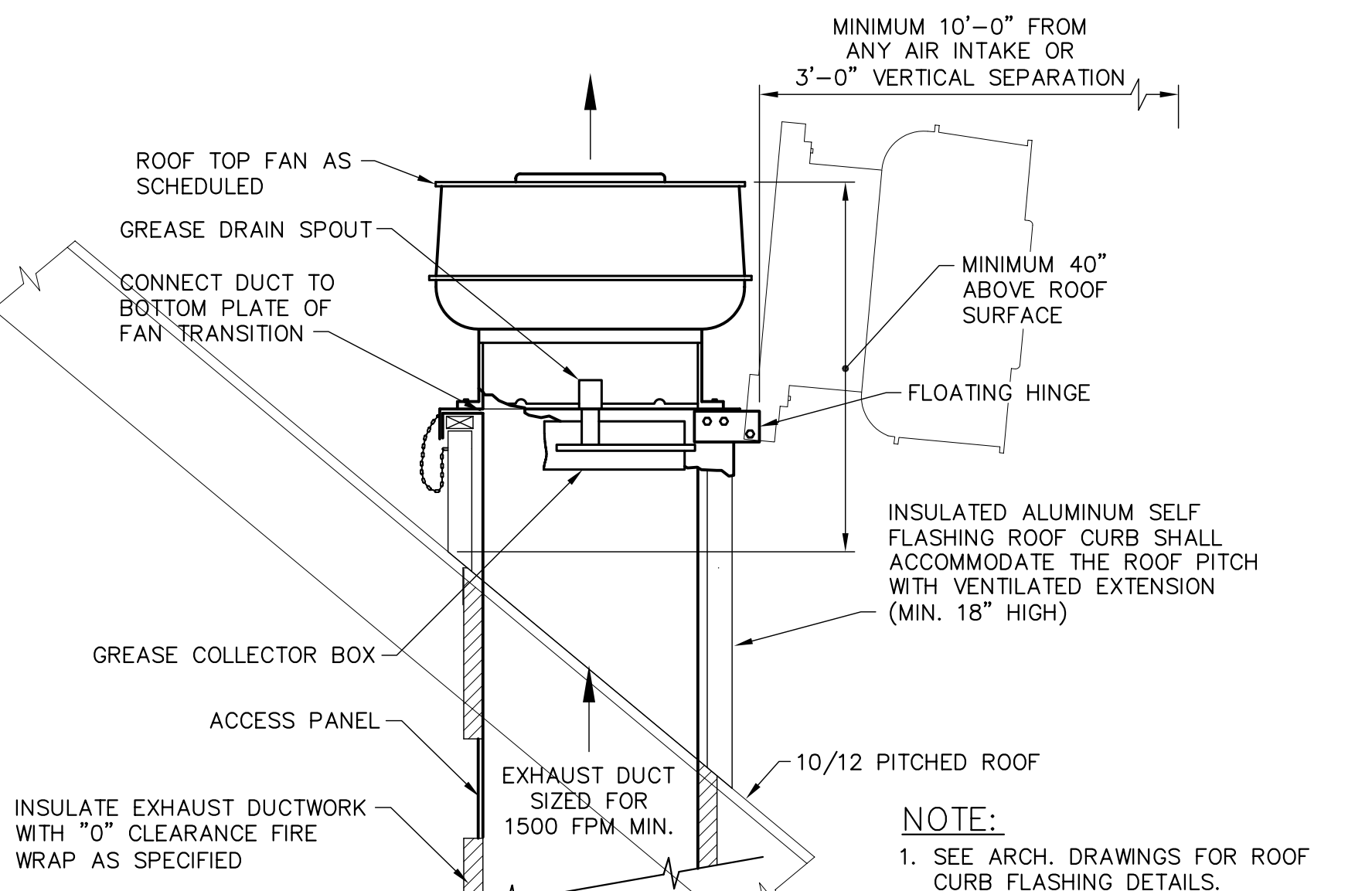
KITCHEN HOOD SCHEDULE															
HOOD NO.	MODEL	LENGTH	MAX. COOKING TEMP.	TOTAL EXH. CFM	EXHAUST FLENUM				SUPPLY FLENUM				HOOD CONSTRUCTION	HOOD CONFIG.	
					WIDTH	LENG.	DIA.	CFM	S.P.	TOTAL SUP. CFM	WIDTH	LENG.			DIA.
HD-1	4524	4'0.00"Nom.	450 Deg.	800	8"	8"	8"	-0.327	0						
MISC-(BR)	624	5'0.00"Nom.	300 Deg.	0					500	14"	5"	500	430 SS Where Exposed		

KITCHEN HOOD FAN INFORMATION																				
FAN UNIT NO.	FAN UNIT MODEL #	EXHAUST FAN						SUPPLY FAN												
		MODEL	TAG	CFM	S.P.	RPM	H.P.	#	VOLT	FLA	BLOWER HOUSING	TAG	CFM	S.P.	RPM	H.P.	#	VOLT	FLA	
EF-1	NCARFA	NCARFA	EF-1	800	-0.750	1390	.50	3	460	1.3										
SAF-1	NSAU-1-G10										G10	NSAU-1	SAF-1	500	0.200	348	.50	3	460	1.3

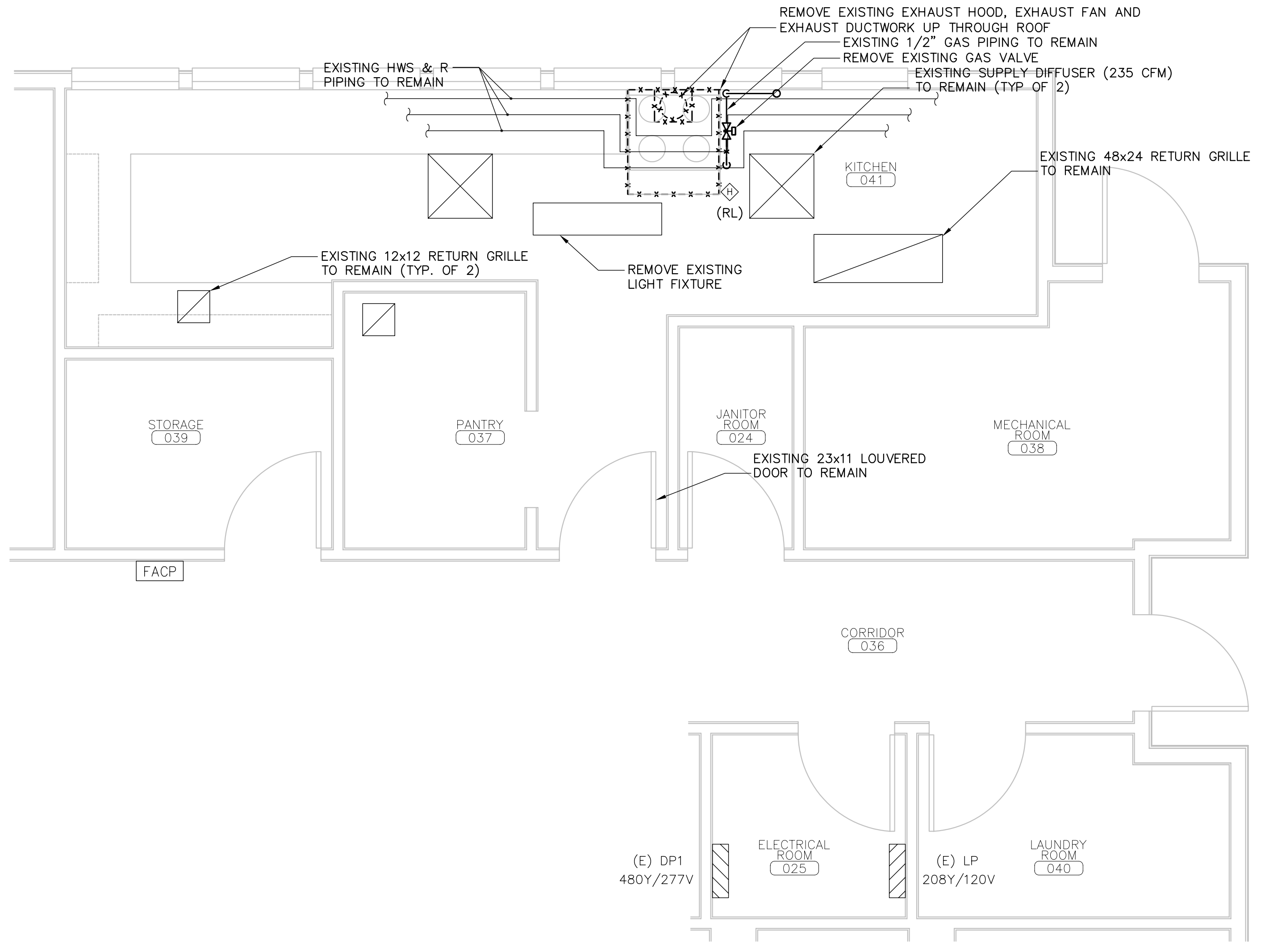
G6 MECHANICAL ~ SCHEDULES



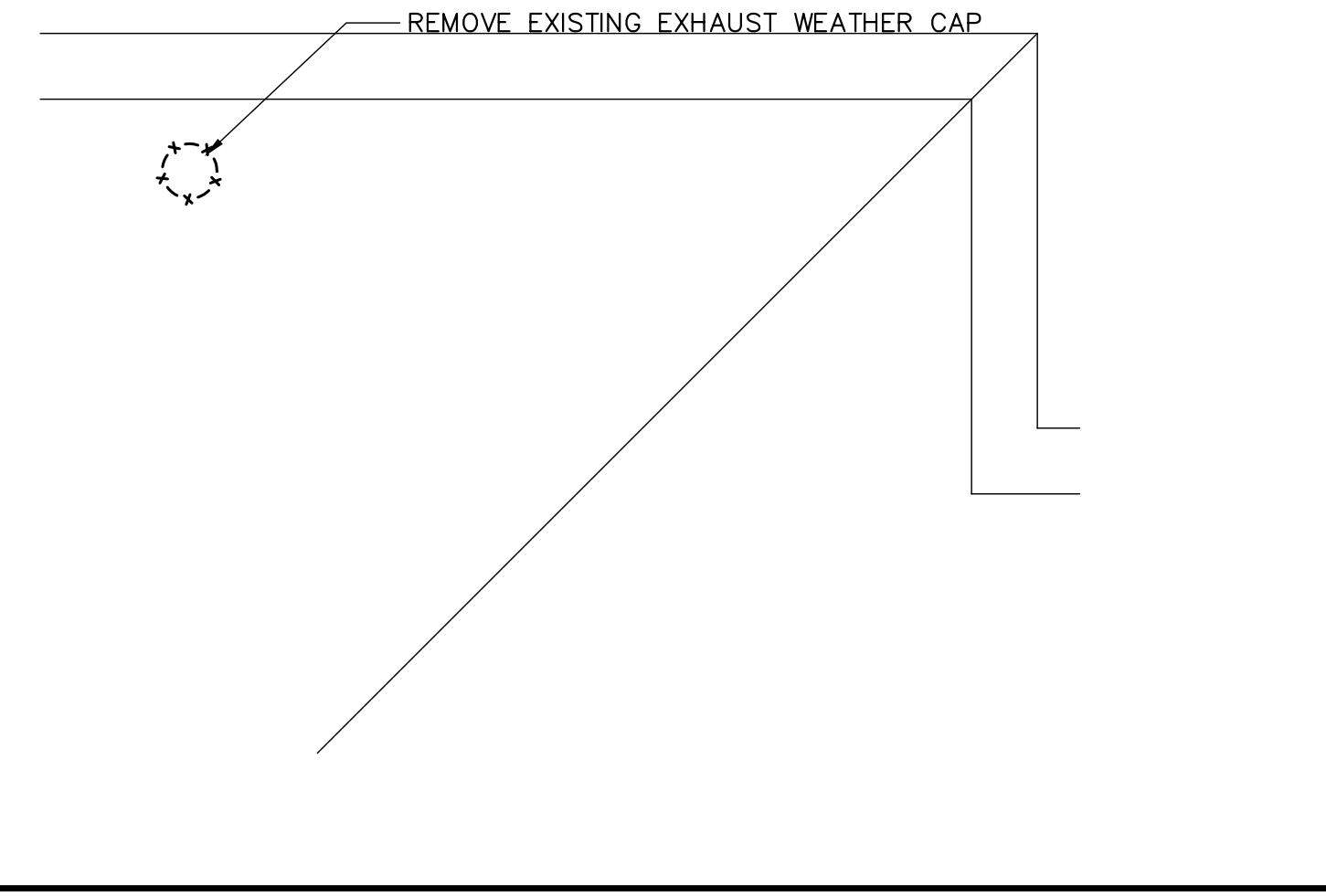
E6 HOOD SECTION ~ DETAIL



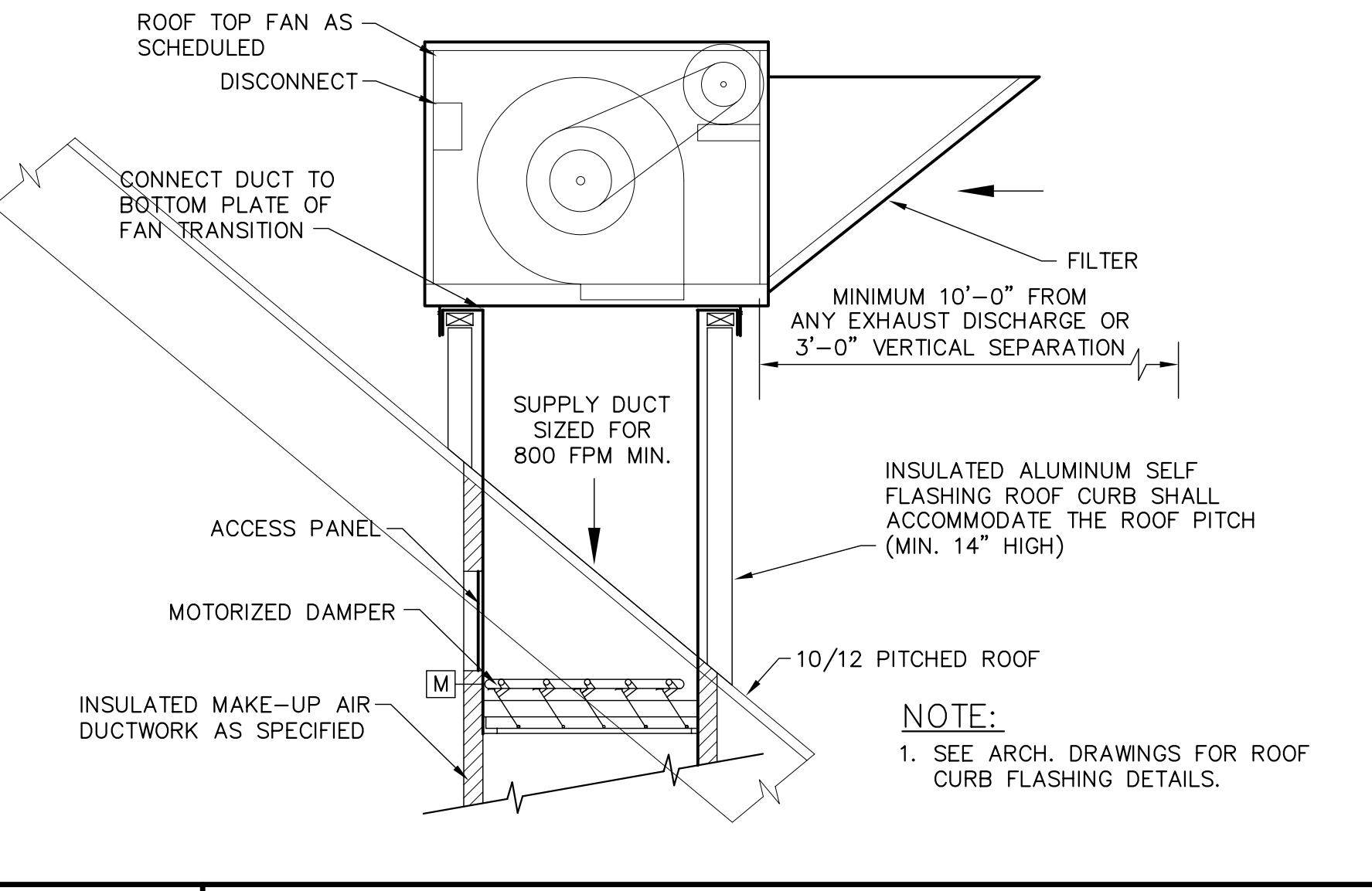
E8 ROOF TOP KITCHEN EXHAUST FAN ~ DETAIL



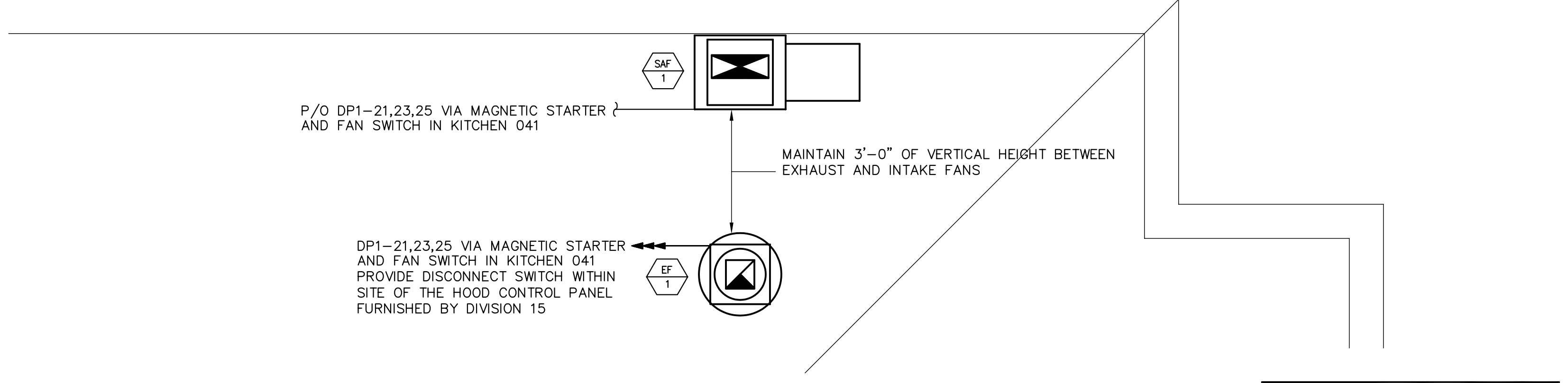
A1 MECHANICAL / ELECTRICAL KITCHEN ~ DEMO PART PLAN



C6 MECHANICAL / ELECTRICAL ROOF ~ DEMO PART PLAN



C8 ROOF TOP KITCHEN SUPPLY FAN ~ DETAIL



A6 MECHANICAL / ELECTRICAL ROOF ~ PART PLAN

ISSUED FOR PRICING
FEB. 03, 2005



allied engineering, inc.
FULL SERVICE CONSULTING ENGINEERS
100 WESTBURY AVENUE, PORTLAND, ME 04101
PHONE: (207) 774-4441
FAX: (207) 774-4016
WWW.AEINC.COM

REVISIONS	DESCRIPTION	DATE	NUMBER	BY

MECHANICAL / ELECTRICAL DEMO & PART PLANS
UNUM PROVIDENT
DAYCARE CENTER ~ KITCHEN HOOD REPLACEMENT
PORTLAND, MAINE