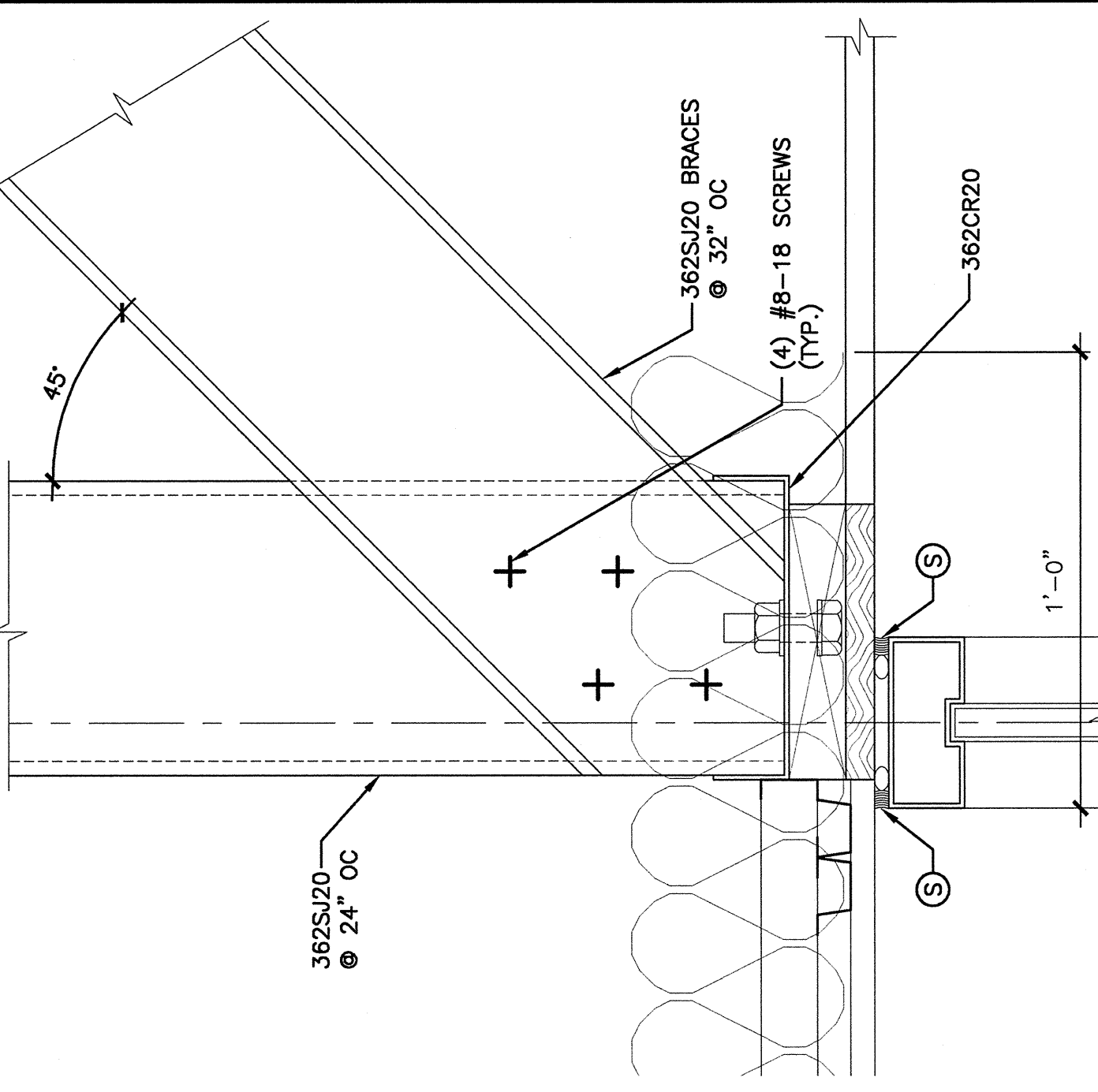
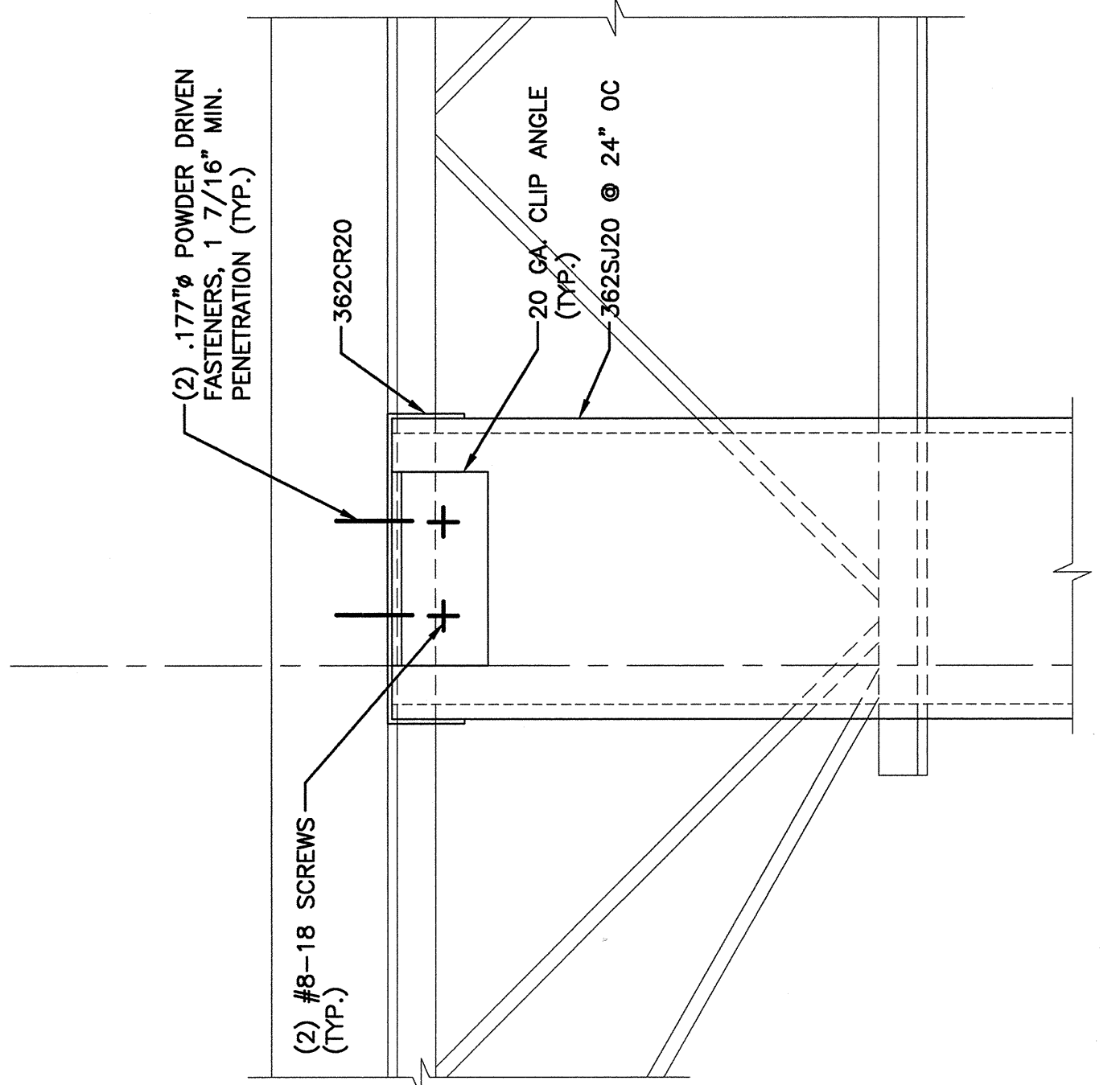
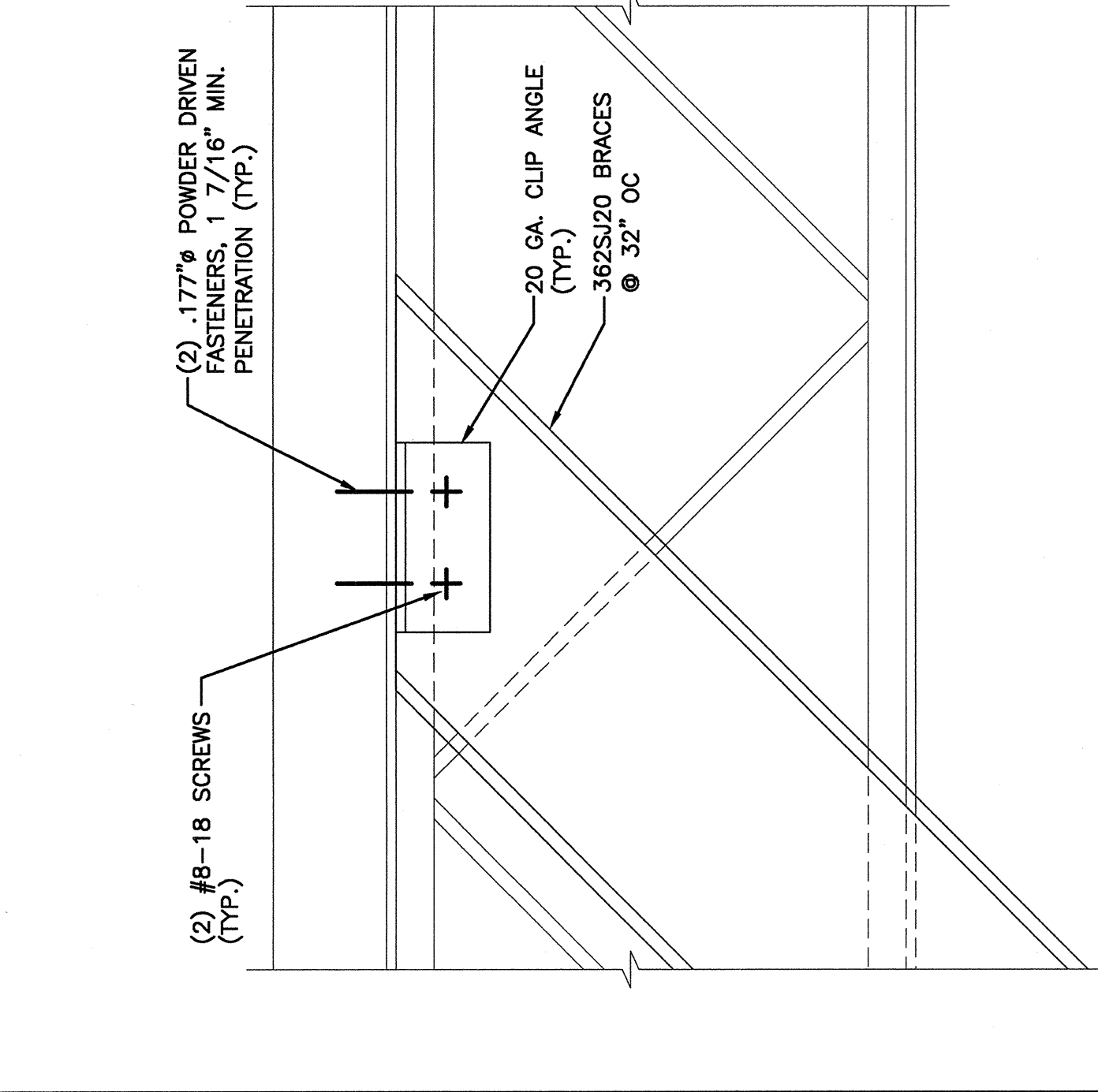


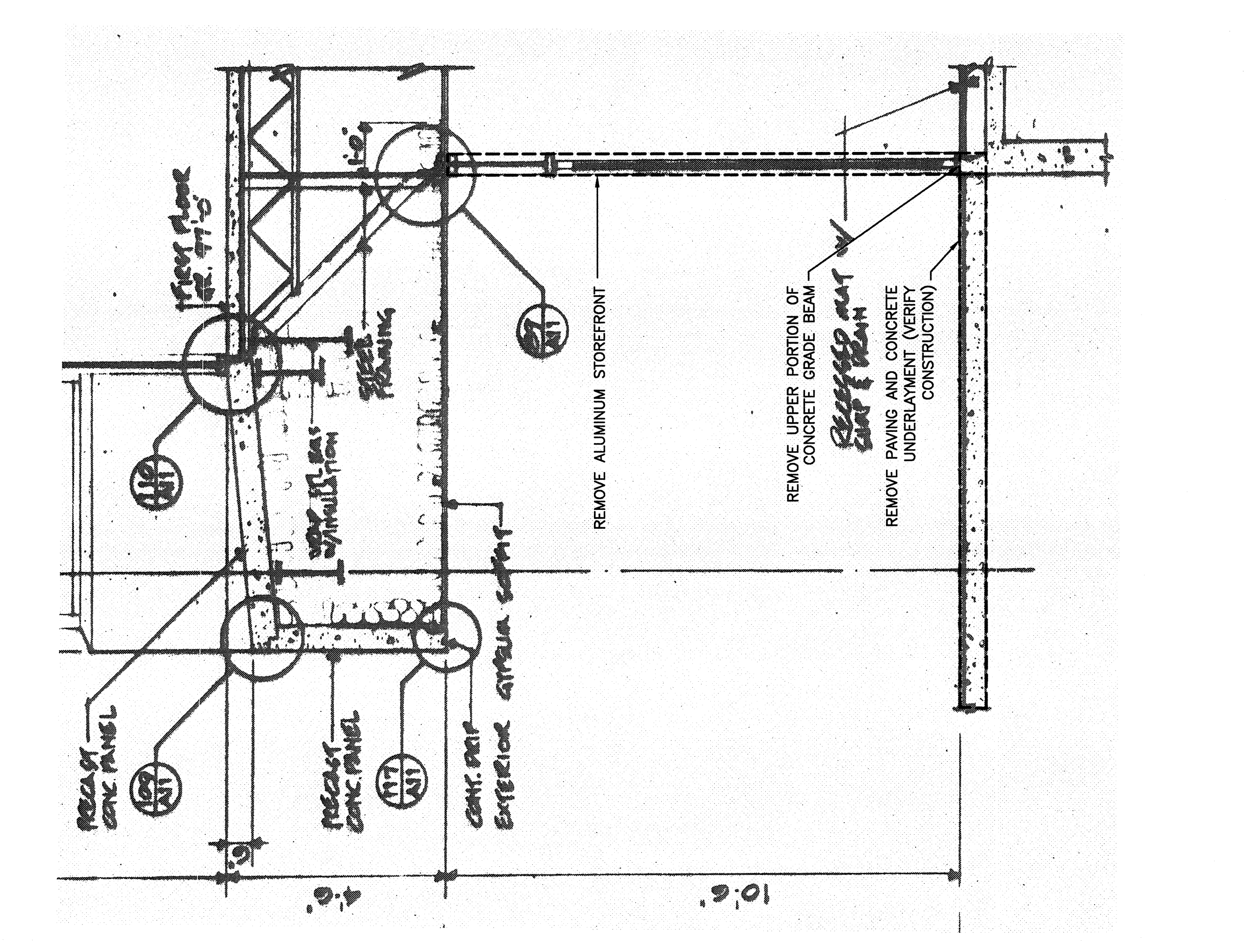
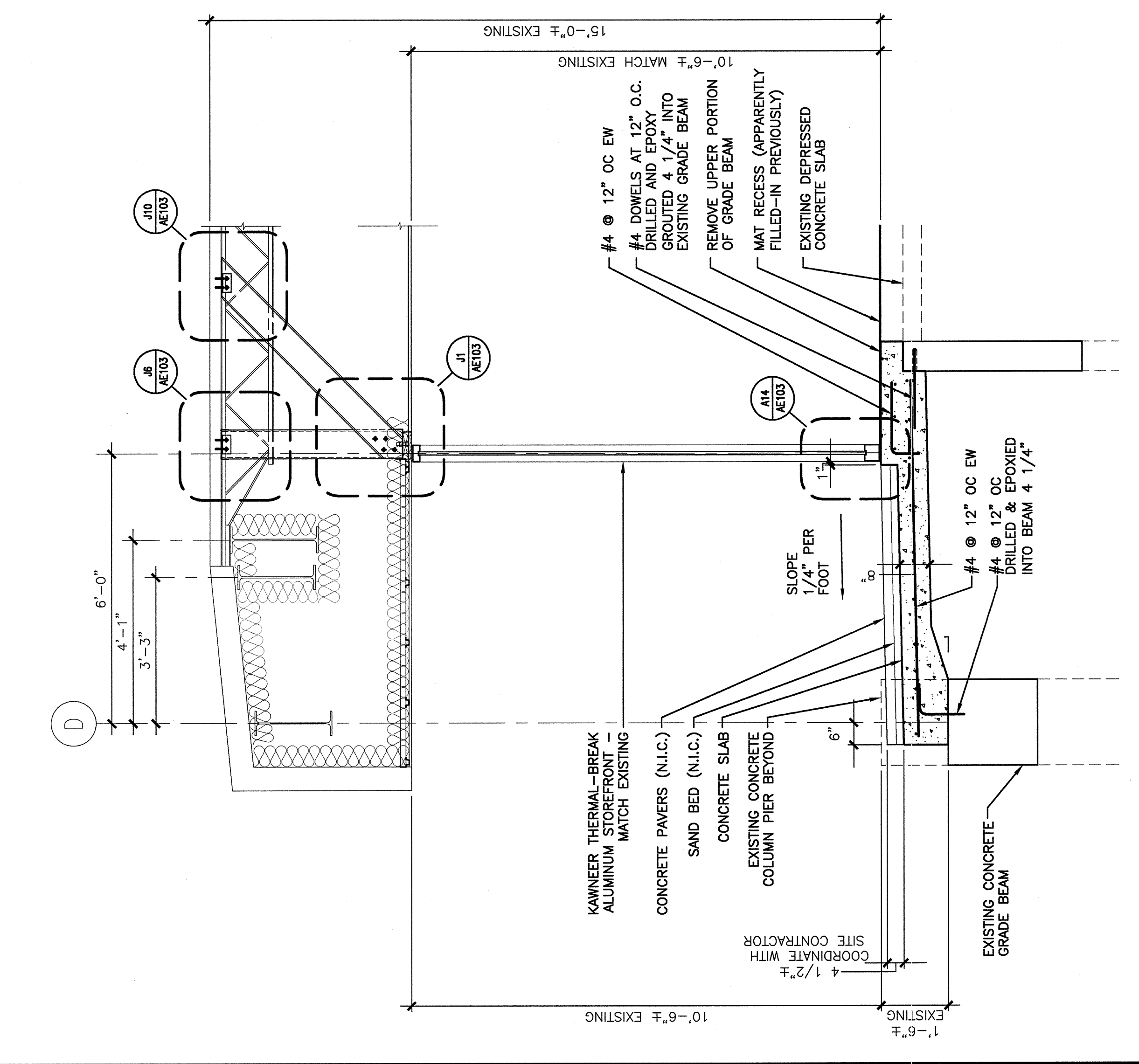
REV	DESCRIPTION	DATE
0	ISSUED FOR PERMITTING	2-13-04
1	ISSUED FOR CONSTRUCTION	5-21-04
2	ISSUED FOR PERMITTING	2-13-04

PROJECT TITLE:
CURRENT ISSUE STATUS:
SCALE: AS NOTED
PROJECT MANAGER: JNH
A/C/DRAWN BY: RLJ/TCH
DATE OF RECORD: JNH
CAD FILE: AE103-03145
PROJECT NO: 03145
DATE: 03/15
SHEET TITLE:

GENERAL NOTES
1. x



J1	DETAIL - DOOR/WINDOW HEAD	AE103	3"=1'-0"
J6	DETAIL - FRAMING	AE103	3"=1'-0"
J10	DETAIL - FRAMING	AE103	3"=1'-0"



A3	SECTION - EXISTING CONSTRUCTION & DEMOLITION	AE102	1/2"=1'-0"
A8	SECTION - REPLACEMENT STOREFRONT	AE102	1/2"=1'-0"
A14	DETAIL - STOREFRONT SILL	AE103	3"=1'-0"