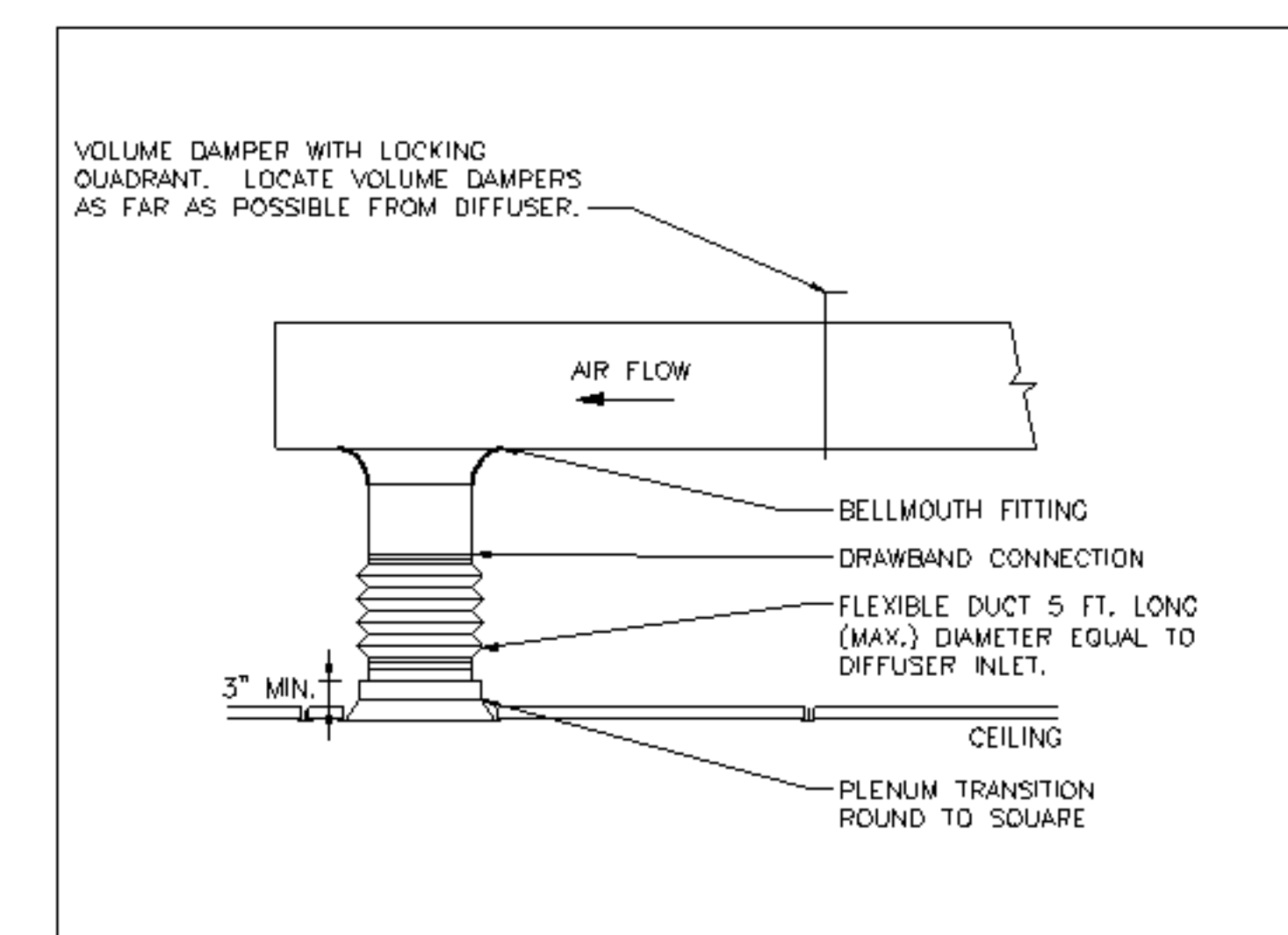
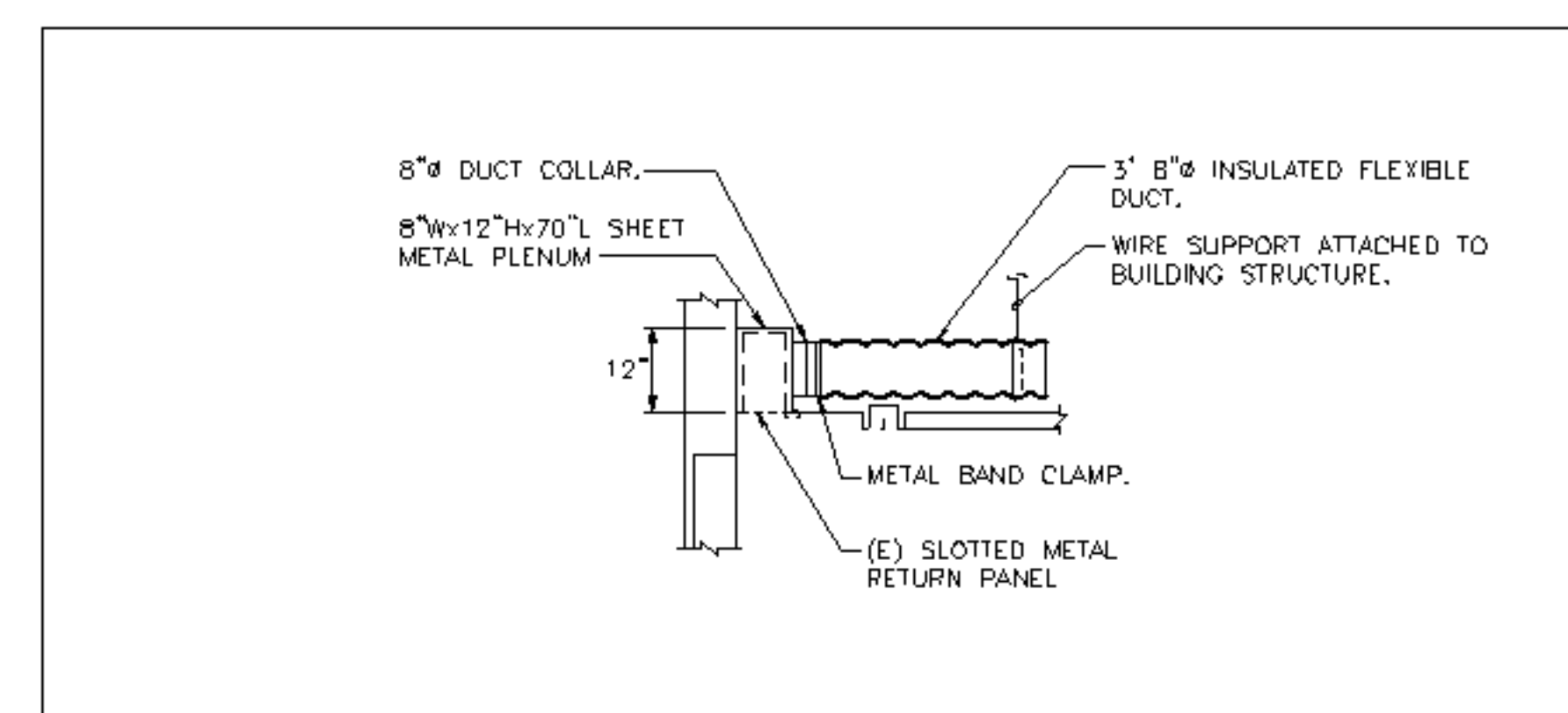


**NOTE:**  
1. SEE SHEET M-001 FOR LEGEND AND ABBREVIATIONS.



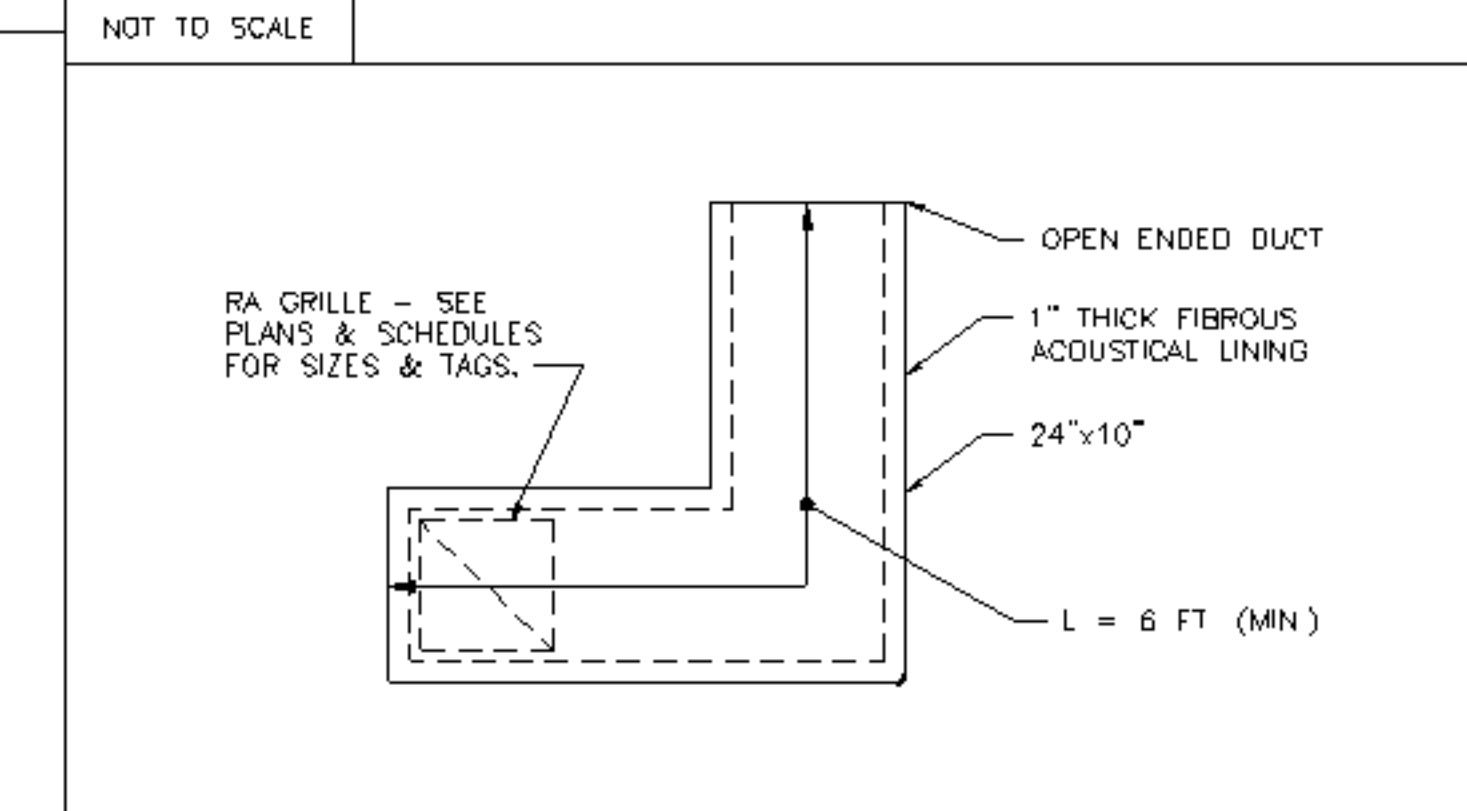
L14 DIFFUSER CONNECTION DETAIL

NOT TO SCALE



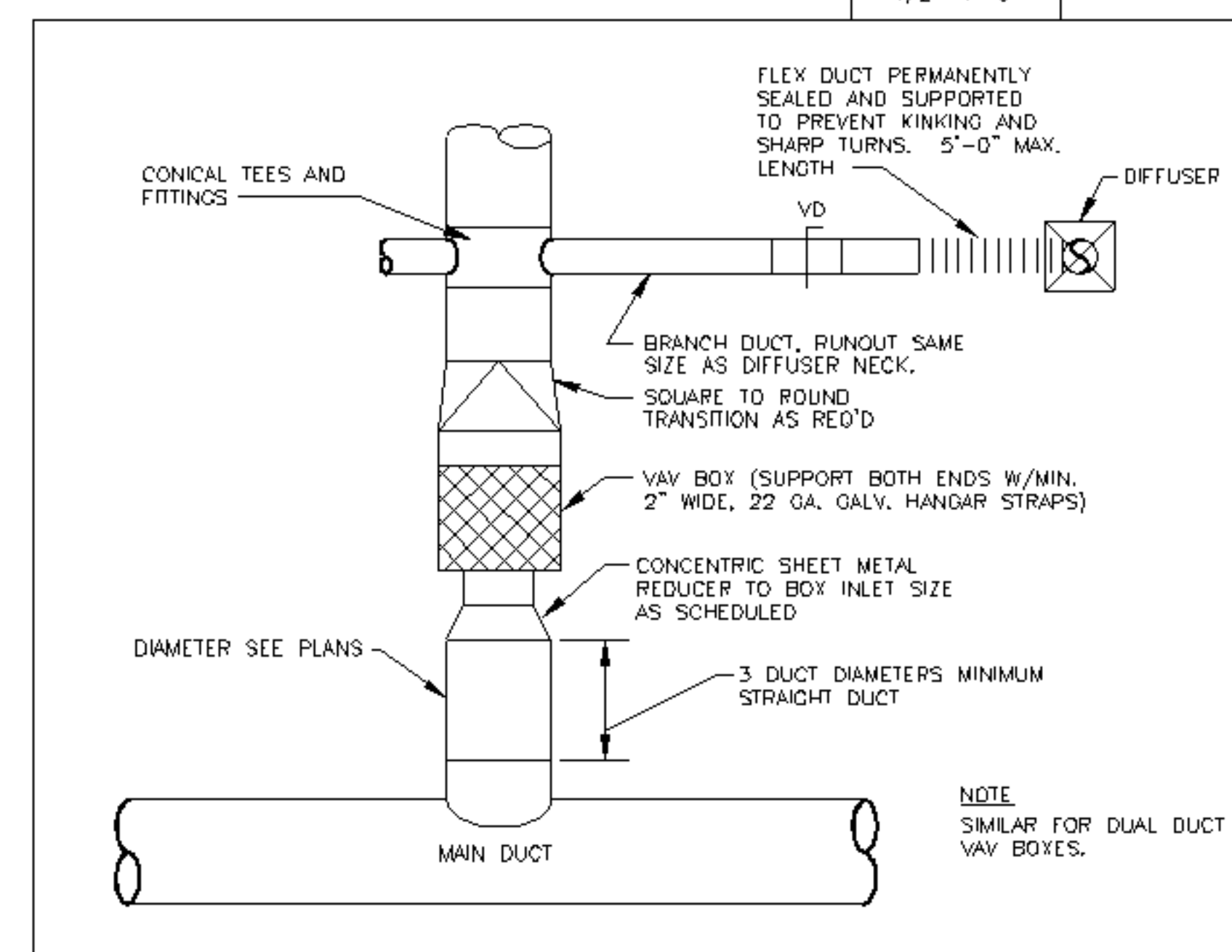
H9 RETURN PLENUM DETAIL

1/2" = 1'-0"



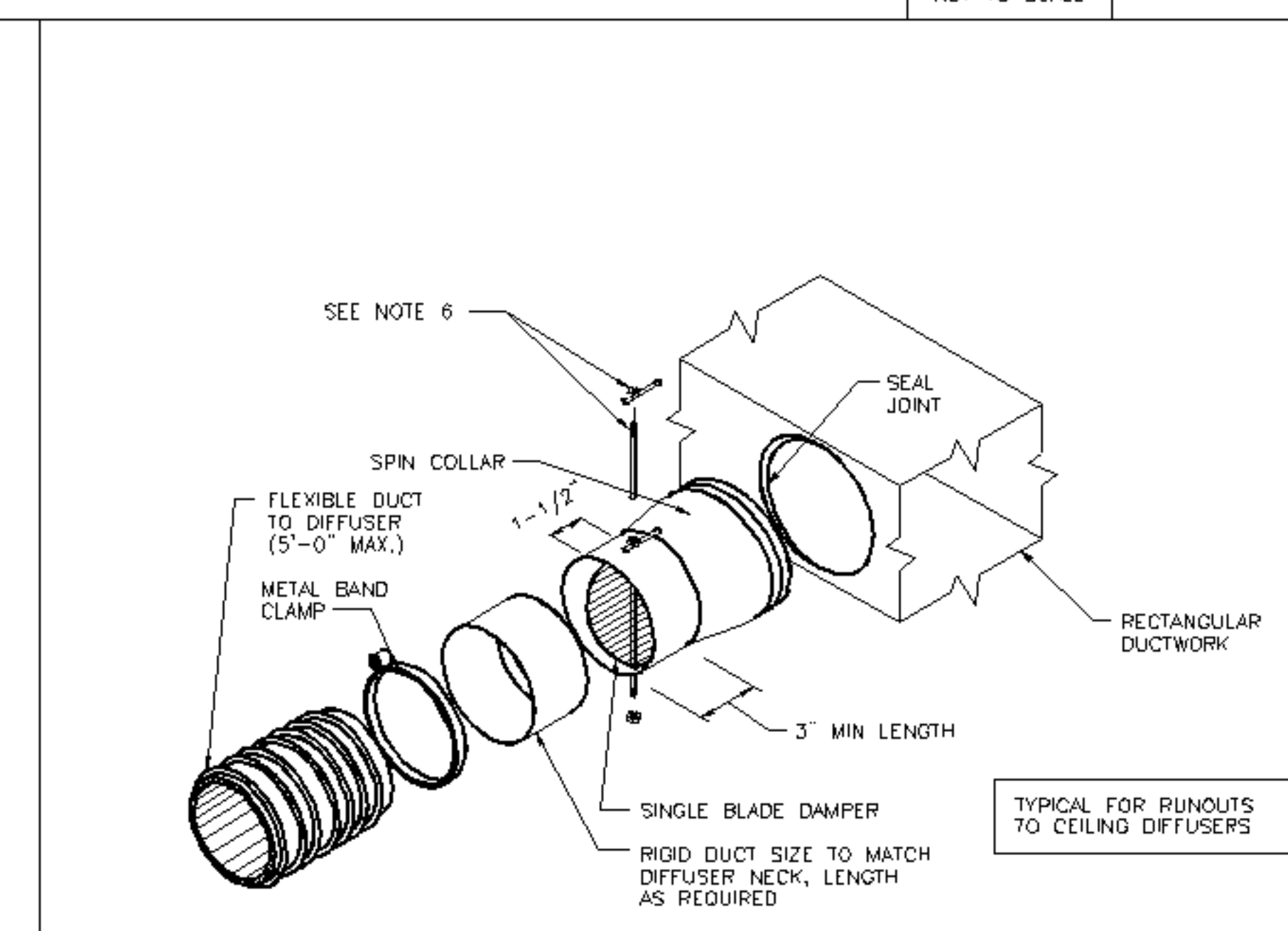
H14 ACOUSTICAL RETURN DUCT DETAIL

NOT TO SCALE



D7 VAV BOX SCHEMATIC

NOT TO SCALE



A11 SPIN COLLAR FLEXIBLE DUCT CONNECTOR W/ DAMPER

NOT TO SCALE

**NOTES:**

1. SUPPORT IN ACCORDANCE WITH SMARNA GUIDELINES.
2. BAND FLEX TO COLLAR 1/2" MINIMUM FROM OUTBOARD END OF COLLAR.
3. INSTALL SPIN COLLAR DAMPER IN OPEN POSITION; FINAL ADJUSTMENT BY TAB CONTRACTOR.
4. POP RIVET OR SHEET METAL SCREWS, MINIMUM 3 EA AT 120" INTERVALS, CONNECTING STOVEPIPE TO COLLAR. ENSURE RIVETS OR SCREWS DO NOT INTERFERE W/DAMPER.
5. SEAL JOINTS WITH SPECIFIED SEALANTS TO PREVENT LEAKAGE.
6. INSTALL LOCKING QUADRANT AND HANDLE ON BOTTOM OF DUCT FOR EASY SERVICE (SHOWN ON TOP FOR EASE OF ILLUSTRATION ONLY).
7. SUPPORT FLEXIBLE DUCT TO PREVENT KINKING AND SHARP TURNS.

REV.	DESCRIPTION	DATE
0	ISSUED FOR CONSTRUCTION	3-10-05

**ISSUED FOR CONSTRUCTION**  
**3-10-05**

CURRENT ISSUE STATUS:

--	--

**ARCHITECTURE ENGINEERING PLANNING**  
SMRT  
144 Fore Street, P.O. Box 618  
Portland, Maine 04104  
Tel. (207) 772-3846  
Fax. (207) 772-1070

UnumProvident HO-1  
3rd FLOOR OFFICE RENOVATIONS  
PORTLAND, ME.

PROJECT: DETAILS

SHEET TITLE:		DATE:	3-10-05
SCALE:	NOT TO SCALE	GRAPHIC SCALE:	0" = 1"
PROJECT MANAGER:	JLH		
JOB CAP/DRAWN:	CEB/CAH		
A/E OF RECORD:	FWJ	SHEET No.	M-501
SMRT CAD FILE:	M-501-05004		
PROJECT No.	05004		