

PLACE (USED) CEILING TILES WITH INTEGRAL INSULATION OVER SHEET METAL COVER - CUT TO FIT BETWEEN HANGERS

PROVIDE SHEET METAL COVER OVER EXISTING SLOTTED SHEET METAL CLOSURE PANELS - FIT BETWEEN HANGERS - PRE-FINISH TO MATCH EXISTING PANELS - FASTEN WITH SHEET METAL SCREWS



ROOM FINISH SCHEDULE

ROOM NUMBER	ROOM NAME	FLOOR	BASE	WALLS				CEILING		ROOM NUMBER	REMARKS
				NORTH	SOUTH	EAST	WEST	MATERIAL	HEIGHT		
-	OPEN OFFICE	CPT TILE	RES	PAINT	-	-	-	ACT 1	9'-0"±	-	REMOVE EXST EDF & VWC, PATCH WALL TO MATCH
311	ALCOVE	CPT TILE	RES	PAINT	PAINT	PAINT	PAINT	ACT 1	9'-0"±	311	SEAL PIPE PENETRATIONS - 1-HR FIRE RATING
312	STORAGE	CONC	RES	PAINT	PAINT	PAINT	PAINT	ACT 1	9'-0"±	312	
313	ENTRY	CPT TILE	RES	PAINT	PAINT	PAINT	PAINT	EXIST	-	313	
314	ALCOVE	CPT TILE	RES	PAINT	PAINT	PAINT	PAINT	ACT 1	9'-0"±	314	REMOVE EXST EDF & VWC, PATCH WALL TO MATCH
-	OPEN OFFICE	CPT TILE	RES	PAINT	PAINT	PAINT	-	ACT 1	9'-0"±	-	REMOVE EXST EDF, PATCH WALL TO MATCH
3D-98	OFFICE	CPT TILE	RES	PAINT	PAINT	PAINT	PAINT	ACT 1	9'-0"±	3D-98	
3D-99	OFFICE	CPT TILE	RES	PAINT	PAINT	PAINT	PAINT	ACT 1	9'-0"±	3D-99	
323	ELEVATOR LOBBY	CPT TILE	RES	-	-	EXIST RAIL	EXIST VWC	ACT 2	11'-0"±	323	
-	OPEN OFFICE	CPT TILE	RES	PAINT	PAINT	PAINT	PAINT	ACT 1	9'-0"±	-	REMOVE EXST EDF, PATCH WALL TO MATCH
3A-96	OFFICE	CPT TILE	RES	PAINT	PAINT	PAINT	PAINT	ACT 1	9'-0"±	3A-96	
3A-97	OFFICE	CPT TILE	RES	PAINT	PAINT	PAINT	PAINT	ACT 1	9'-0"±	3A-97	
3A-98	OFFICE	CPT TILE	RES	PAINT	PAINT	PAINT	PAINT	ACT 1	9'-0"±	3A-98	
3A-99	OFFICE	CPT TILE	RES	PAINT	PAINT	PAINT	PAINT	ACT 1	9'-0"±	3A-99	
335	EXISTING VENDING	CPT TILE	RES	PAINT	PAINT	PAINT	PAINT	ACT 1	9'-0"±	335	REMOVE WALL COVE LIGHTS, PATCH WALLS TO MATCH
3B-3E	EXISTING CONFERENCE	CPT TILE	RES	PAINT	PAINT	PAINT	PAINT	ACT 1	9'-0"±	3B-3E	
3E-98	OFFICE	CPT TILE	RES	PAINT	PAINT	PAINT	PAINT	ACT 1	9'-0"±	3E-98	
3E-99	OFFICE	CPT TILE	RES	PAINT	PAINT	PAINT	PAINT	ACT 1	9'-0"±	3E-99	
339	ELEVATOR LOBBY	CPT TILE	RES	-	-	EXIST VWC	EXIST RAIL	ACT 2	11'-0"±	339	
340	ENTRY	CPT TILE	RES	PAINT	PAINT	PAINT	PAINT	EXIST	-	340	
3E-3C	EXISTING CONFERENCE	CPT TILE	RES	PAINT	PAINT	PAINT	PAINT	ACT 1	9'-0"±	3E-3C	
3E-3D	EXISTING CONFERENCE	-	-	-	-	-	-	-	-	3E-3D	NO WORK

L4 WINDOW SOFFIT DETAIL

3"=1'-0" AE102 & AE103

L9 ROOM FINISH SCHEDULE

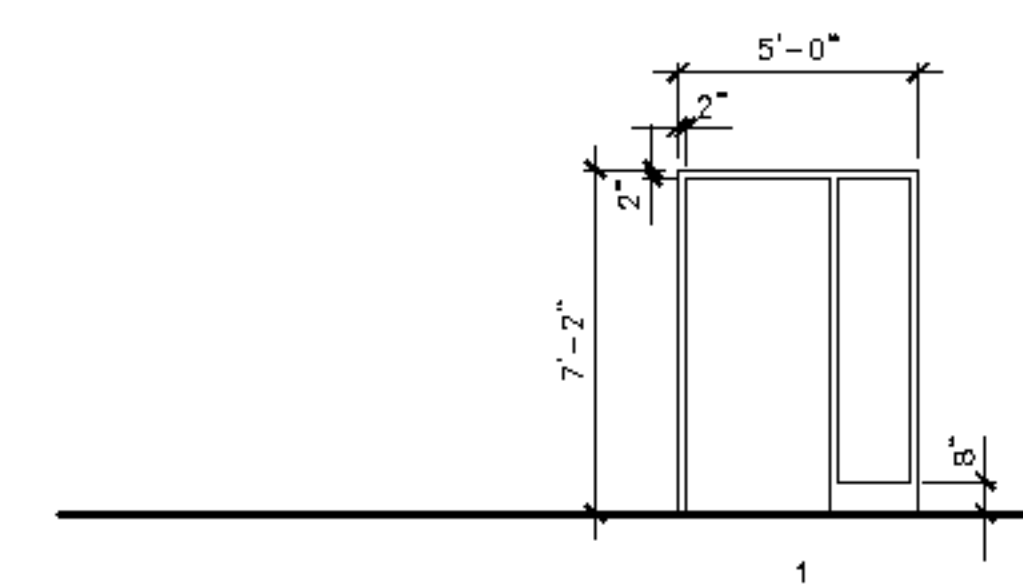
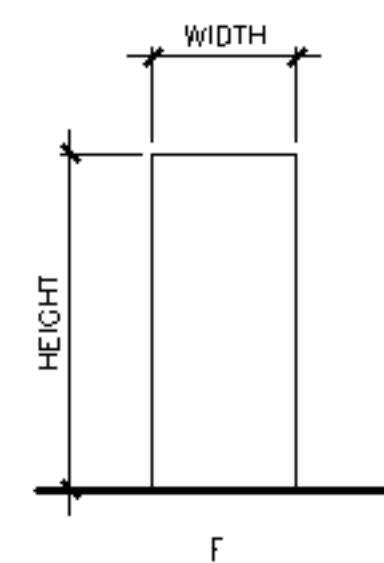
DOOR SCHEDULE

DOOR NUMBER	DOOR			GLAZING (SIDELITE)	FRAME			HWS	FIRE RATING (MIN.)	DOOR NUMBER	REMARKS
	SIZE (W x H x T)	MATERIAL	ELEVATION		MATERIAL	ELEVATION	HEAD				
3D-98	3-0 x 7-0 x 1-3/4	HM	F	TEMP.	HM	1			1	3D-98	
3D-99	3-0 x 7-0 x 1-3/4	HM	F	TEMP.	HM	1			1	3D-99	
3A-96	3-0 x 7-0 x 1-3/4	HM	F	TEMP.	HM	1			1	3A-96	
3A-97	3-0 x 7-0 x 1-3/4	HM	F	TEMP.	HM	1			1	3A-97	
3A-98	3-0 x 7-0 x 1-3/4	HM	F	TEMP.	HM	1			1	3A-98	
3A-99	3-0 x 7-0 x 1-3/4	HM	F	TEMP.	HM	1			1	3A-99	
3E-98	3-0 x 7-0 x 1-3/4	HM	F	TEMP.	HM	1			1	3E-98	
3E-99	3-0 x 7-0 x 1-3/4	HM	F	TEMP.	HM	1			1	3E-99	

HARDWARE SETS

- 1 OFFICE FUNCTION

E9 DOOR SCHEDULE



A9 DOOR ELEVATIONS

1/4"=1'-0"

A13 FRAME ELEVATIONS

1/4"=1'-0"

0	ISSUED FOR CONSTRUCTION	3-10-05
REV.	DESCRIPTION	DATE

ISSUED FOR CONSTRUCTION
3-10-05

CURRENT ISSUE STATUS:



ARCHITECTURE ENGINEERING PLANNING

SMRT
144 Fore Street, P.O. Box 618
Portland, Maine 04104
Tel. (207) 772-3846
Fax. (207) 772-1070

UnumProvident HO-1
3rd FLOOR OFFICE RENOVATIONS
PORTLAND, ME.

PROJECT: ROOM FINISH AND DOOR SCHEDULES

SHEET TITLE:		DATE:
SCALE:	NOT TO SCALE	GRAPHIC SCALE: 0" = 1"
PROJECT MANAGER:	JLH	JOB CAP/DRAWN:
	CEB	A/E OF RECORD:
	JLH	SMRT CAD FILE:
	AE601-05004	PROJECT No.:
	05004	

SHEET No. AE601