

Features

Visible only (V/O) 24 VDC notification appliances with high output xenon strobe, available for wall or ceiling mount:

- Intensity is selectable as 15, 30, 75, or 110 candela with visible selection jumper secured behind strobe housing
- Operation is compatible with ADA requirements (refer to important installation information on page 3)
- Polarized input allows connection to compatible reverse polarity, supervised notification appliance circuit (NAC)
- Regulated circuit design ensures consistent flash output and provides controlled inrush current
- Rugged, high impact, flame retardant thermoplastic housings are available in red or white with clear lens
- Listed to UL 1971 and ULC S526

Strobes provide synchronized flash for use with:

- 4006, 4008, 4010, and 4100U Series fire alarm control panels with NACs selected to provide strobe synchronization or SmartSync two-wire control**
- 4009 IDNet™ NAC Extenders
- Separate strobe Synchronization Modules that are available for Class B or Class A operation
- Separate SmartSync Control Modules (SCMs) that provide Class B or Class A output from conventional NAC inputs

Strobe housings provides flexible, easy, and convenient semi-flush or surface wall mounting:

- Rear of housing does not extend into box
- Wall mount strobes easily mount to single gang, double gang, or 4-inch square outlet box
- Ceiling mount strobes mount to single gang boxes

Wall mount strobe features:

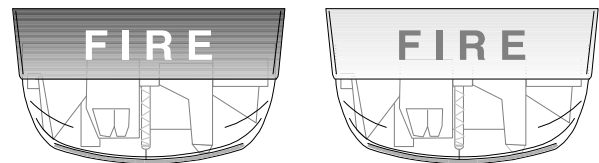
- Wiring terminals are accessible from the front of the housing providing easy access for installation, inspection, and testing
- Covers are available separately to convert housing color

Optional adapters and wire guards:

- Wall mount strobe adapters are available to cover surface mounted electrical boxes and to adapt to Simplex® 2975-9145 boxes
- UL listed red wire guards are available for wall or ceiling mount strobes*



Wall Mount Strobes



Ceiling Mount Strobes

Description

Multi-Candela TrueAlert synchronized strobes provide convenient installation to standard electrical boxes. The enclosure designs are both impact and vandal resistant and provide a convenient strobe intensity selection. Since each model can be selected for intensity output, on-site model inventory is minimized and changes encountered during construction can be easily accommodated.

Wall mount strobe housings are a one-piece assembly (including lens) that mounts to a single or double gang, or 4" square standard electrical box. The cover can be quickly removed (a tool is required) and covers are available separately for color conversion.

Ceiling mount strobes install using standard single gang electrical boxes. Color choice is determined by model number.

Strobe Intensity Selection

During installation, a selection plug at the back of the housing determines the desired strobe intensity. An attached flag with black letters on a highly visible yellow background allows the selected intensity to be seen at the side of the strobe lens.

Strobe Application Reference

Proper selection of visible notification is dependent on occupancy, location, local codes, and proper applications of: the *National Fire Alarm Code* (NFPA 72), ANSI A117.1; the appropriate model building code: BOCA, ICBO, or SBCCI; and the application guidelines of the Americans with Disabilities Act (ADA).

** Simplex multi-candela SmartSync two-wire horn/strobe appliance operation is protected under one or more of the following U.S. Patent Numbers: 5,559,492; 5,622,427; 5,865,527; 5,886,620; 6,281,789; 6,954,137; 7,005,971; and 7,006,003.

* Refer to page 2 for guard listing. This product has been approved by the California State Fire Marshal (CSFM) pursuant to Section 13144.1 of the California Health and Safety Code. See CSFM Listing 7125-0026:316 for allowable values and/or conditions concerning material presented in this document. It is subject to re-examination, revision, and possible cancellation. Refer to page 2 for listing status of wire guards. Additional listings may be applicable; contact your local Simplex product supplier for the latest status. Listings and approvals under Simplex Time Recorder Co. are the property of Tyco Safety Products Westminster.

Synchronized Strobes

Multiple Strobes. When multiple strobes and their reflections can be seen from one location, synchronized flashes reduce the probability of photo-sensitive reactions as well as the annoyance and possible distraction of random flashing. These multi-candela strobes are synchronized over a two-wire circuit when connected to compatible NACs, to compatible Synchronized Flash Modules, or to SmartSync Control Modules.

SmartSync Two-Wire Control

Some applications desire the audible notification appliances to be capable of being silenced before the alarm condition is reset (on-until-silenced) while the visible notification appliances are kept activated until the alarm condition is reset (on-until-reset). SmartSync operation mode provides this function using a single circuit (two-wire operation).

SmartSync Control Sources

SmartSync two-wire control is available from:

- 4006, 4008, 4100U, and 4010 Fire Alarm Control Panels (refer to individual product data sheets for more information)
- 4009 IDNet NAC Extenders (refer to data sheet S4009-0002)
- SmartSync Control Module (SCM) Model 4905-9938 (refer to data sheet S4905-0003)

Additional SmartSync compatible notification appliances include separate horns and combination horn/strobe notification appliances.

Product Selection

Multi-Candela Visible Notification Appliances (Strobes)

Model	Mounting	Housing Color	"FIRE" Lettering	Description
4906-9101	Wall	Red	White	Multi-candela strobe with intensity selectable as: 15, 30, 75, or 110 candela; synchronized flash rate; SmartSync two-wire control compatible
4906-9103		White	Red	
4906-9102	Ceiling	Red	White	
4906-9104		White	Red	

Wall Mount Strobe Adapters

Model	Description	Dimensions
4905-9937	Red	Surface Mount Adapter Skirt; use to cover 1-1/2" (38 mm) deep surface mounted boxes Total depth with strobe = 4-3/8" (111 mm)
4905-9940	White	
4905-9931	Red Adapter Plate for mounting to Simplex 2975-9145 box (typically for retrofit, may be mounted vertical or horizontal)	8-5/16" x 5-3/4" x 0.060" Thick (211 mm x 146 mm x 1.5 mm)
2975-9145	Red Mounting Box, requires Adapter Plate 4905-9931	7-7/8" x 5-1/8" x 2-3/4" D (200 mm x 130 mm x 70 mm)

Ceiling Mount Strobe Adapter

Model	Description	Dimensions
4905-9910	Surface Mount Adapter Plate; zinc plated; required for mounting to handy box; not needed when using 4905-9926 guard	4-7/8" x 3-1/8" x 0.060" D (124 mm x 79 mm x 1.5)

Synchronization Modules (refer to data sheet S4905-0003 for additional information)

Model	Description	Dimensions
4905-9914	Class B	Synchronized Flash Module; epoxy encapsulated with in/out 18 AWG (0.82 mm ²) wire leads, rated for 2 A NAC, requires 5 mA for power
4905-9922	Class A	
4905-9938	SmartSync Control Module with Class B or Class A output; mounts in 4" (102 mm) square box	4" x 4-1/8" x 1-1/4" D (102 mm x 105 mm x 32 mm)

Replacement Covers and Guards

Model	Description	Dimensions
4905-9992	Red cover with white "FIRE" lettering	For Wall mount strobes 5-1/8" H x 5" W x 1-1/2" D (130 mm x 127 mm x 38 mm)
4905-9993	White cover with red "FIRE" lettering	
4905-9961*	Wall mount	Red wire guard with mounting plate, compatible with semi-flush or surface mounted boxes 6-1/16" H x 6-1/16" W x 3-1/8" D (154 mm x 154 mm x 79 mm)
4905-9926*	Ceiling mount	

* UL listed by Space Age Electronics Inc.

Strobe Specifications

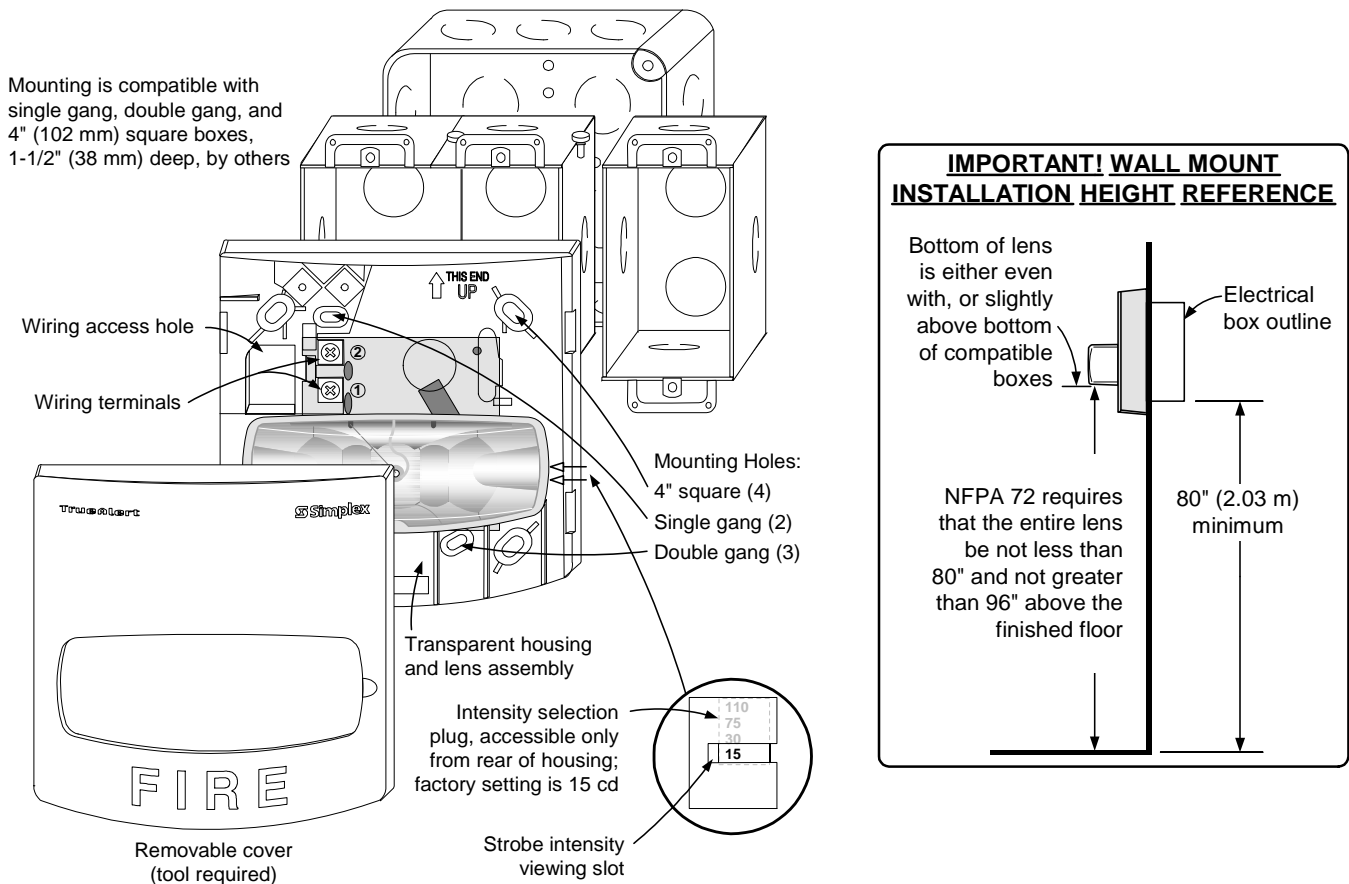
Wall Mount or Ceiling Mount, Common Specifications

Rated Voltage Range		Regulated 24 VDC; see Note 1 below			
Flash Rate		1 Hz			
Synchronized NAC Loading		Up to 35 synchronized strobes maximum per NAC			
Temperature Range		32° to 122° F (0° to 50° C)			
Humidity Range		10% to 93%, non-condensing at 100° F (38° C)			
Connections		Terminal blocks for 18 AWG to 12 AWG (0.82 mm ² to 3.31 mm ²); two wires per terminal for in/out wiring			
Wall Mount	Housing Dimensions (with lens)	5-1/8" H x 5" W x 2-3/4" D (130 mm x 127 mm x 70 mm)			
	Maximum RMS Current Rating per Strobe Setting (see Note 2 below)	15 cd	30 cd	75 cd	110 cd
		60 mA	94 mA	186 mA	252 mA
	Reference RMS Currents at other voltages	18 VDC	53 mA	84 mA	165 mA
24 VDC		40 mA	63 mA	124 mA	168 mA
Ceiling Mount	Housing Dimensions (with lens)	4-3/4" L x 2-5/16" W x 2-5/8" D (121 mm x 75 mm x 67 mm)			
	Maximum RMS Current Rating per Strobe Setting (see Note 2 below)	15 cd	30 cd	75 cd	110 cd
		75 mA	125 mA	233 mA	316 mA
	Reference RMS Currents at other voltages	18 VDC	67 mA	111 mA	207 mA
24 VDC		50 mA	83 mA	155 mA	211 mA

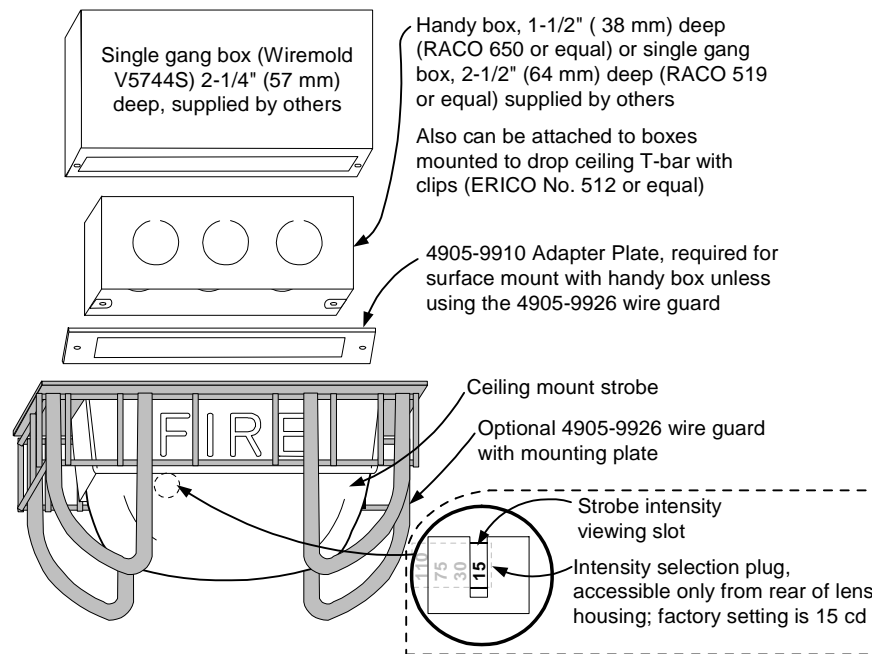
NOTES:

1. "Regulated 24 VDC" refers to the voltage range of 16 to 33 VDC per UL Standard 1971, *Signaling Devices for the Hearing Impaired*, changes effective May 1, 2004. This voltage range is the absolute operating range. Operation outside of this range may cause permanent damage to the strobe. Please note that 16 VDC is the lowest operating voltage that is allowed at the last appliance on the NAC under worst case conditions.
2. The maximum RMS current listed is the device nameplate rating. Strobe designs are constant wattage and the maximum RMS current rating occurs at the lowest allowable operating voltage. (RMS is root mean square and refers to the effective value of a varying current waveform.)

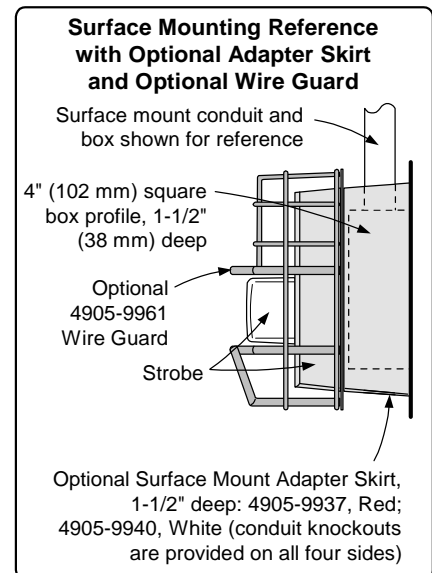
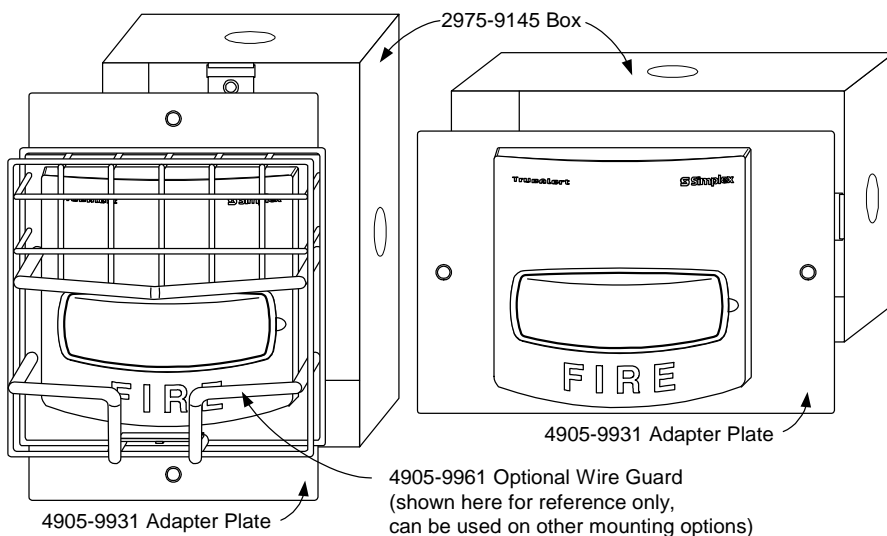
Installation Reference, Surface or Semi-Flush Wall Mounting



Ceiling Mount Strobe Installation Reference



Wall Mount Installation Reference; Adapter Plate, Guard, and Adapter Skirt



Tyco is a registered trademark of Tyco International Services GmbH and is used under license. Simplex, the Simplex logo, IDNet, TrueAlert, and SmartSync are trademarks of Tyco International Ltd. and its affiliates and are used under license. NFPA 72 and National Fire Alarm Code are registered trademarks of the National Fire Protection Association (NFPA).



Tyco Safety Products Westminister • Westminister, MA • 01441-0001 • USA
www.tycosafetyproducts-usa-wm.com

S4906-0001-4 9/2009

© 2009 Tyco Safety Products Westminister. All rights reserved. All specifications and other information shown were current as of document revision date and are subject to change without notice.