

Features

Audible/visible ceiling mount notification appliance with:

- Multi-tapped speaker
- High intensity xenon strobe, selectable for free-run or synchronized flash

Audible notification appliance (speaker):

- High quality voice and tone reproduction with taps for 1/4, 1/2, 1, or 2 W, at 25 or 70.7 VRMS
- Speakers are wired separately from strobe wiring
- UL listed to Standard 1480
- Compliant with NFPA 72, 520 Hz Low Frequency Signal Requirements for Sleeping Areas

TrueAlert non-addressable visible notification appliance (strobe):

- Models available with 15, 30, or 110 candela
- 24 VDC operation with switch selection for free-run or synchronized flash rate**
- UL listed to Standard 1971
- Compatible with ADA requirements
- Strobe candela rating is clearly indicated on reflector
- Rugged, high impact, flame retardant thermo plastic housing

Synchronized flash rate mode for use with:

- Synchronization modules for Class B (Style Y) or Class A (Style Z) operation

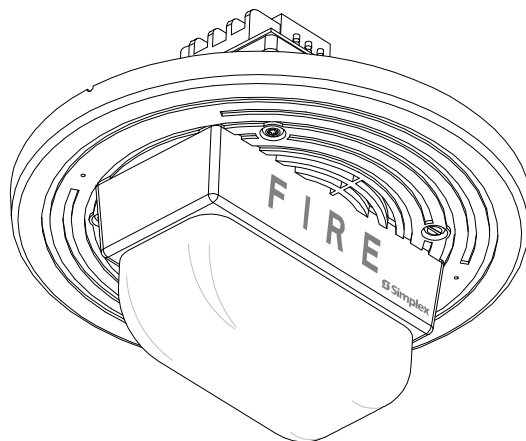
Notification appliance design provides:

- Round housing for ceiling mount in standard electrical boxes
- Separate in/out wiring terminals for speaker and strobe

Description

TrueAlert non-addressable speaker/visible (S/V) notification appliances combine a multi-tapped speaker and a high intensity strobe to provide audio/voice notification and visible notification from the same appliance.

Speakers and strobes are wired separately. The speaker is multi-tapped with taps available for either 25 VRMS or 70.7 VRMS and the strobe is selectable for either free-run or synchronized operation.



Ceiling Mount TrueAlert Non-Addressable S/V Appliances
Feature White Housings with Red Lettering

Strobe Selection

Proper selection of visible notification is dependent on occupancy, location, local codes, and proper applications of: the *National Fire Alarm Code* (NFPA 72), ANSI A117.1; the appropriate model building code: BOCA, ICBO, or SBCCI; and the application guidelines of the Americans with Disabilities Act (ADA).

Strobe Operation

TrueAlert non-addressable S/V strobes can be set for free-run operation or synchronized operation using an on-board selection switch. When selected for *synchronized operation*, flash operation is controlled from:

- **Simplex® Fire Alarm Control Panels** providing NACs selected to product Simplex strobe synchronization signals (refer to control panel data sheet for details)
- **Synchronized Flash Modules**, 4905-9914 (Class B) or 4905-9922 (Class A)
- **4009 IDNet NAC Extender**, models 4009-9201 and 4009-9301 (refer to data sheet S4009-0002)

* This product has been approved by the California State Fire Marshal (CSFM) pursuant to Section 13144.1 of the California Health and Safety Code. See CSFM Listing 7320-0026:242 for allowable values and/or conditions concerning material presented in this document. Accepted for use – City of New York Department of Buildings – MEA35-93E. This product was not ULC listed as of document revision date. Additional listings may be applicable; contact your local Simplex product supplier for the latest status. Listings and approvals under Simplex Time Recorder Co. are the property of Tyco Fire Protection Products.

Product Selection

Speaker/Visible Round Ceiling Mount Notification Appliances with TrueAlert Non -Addressable Strobes

Model	Strobe Output Rating			Housing Color
	15 cd	30 cd	110 cd	
4903-9196	✓			White with red "FIRE" lettering
4903-9197		✓		
4903-9198			✓	

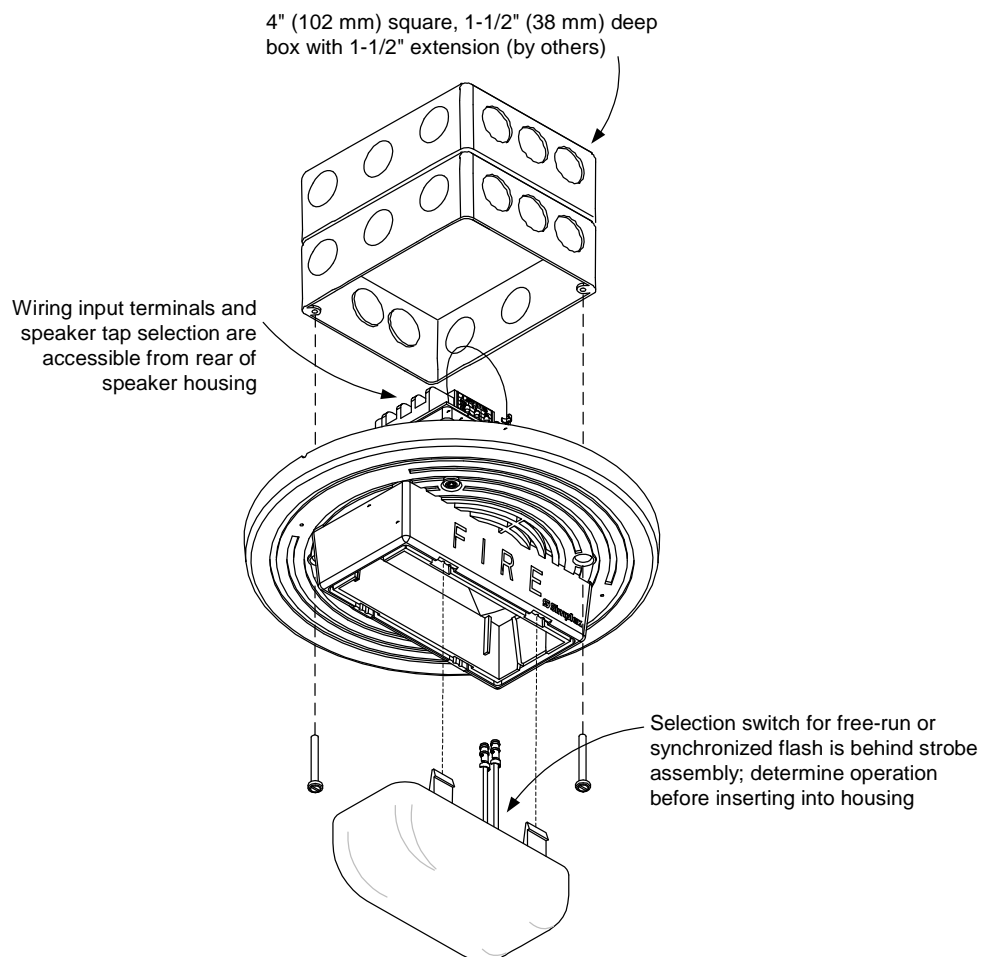
Synchronized Flash Control Modules

Model	Description		Dimensions
4905-9914	Synchronized Flash Module, Class B (Style Y) operation	Epoxy encapsulated with in/out 18 AWG (0.82 mm ²) wire leads, rated for 2 A NAC, requires 5 mA for power	1-3/8" W x 2-7/16" L x 13/16" H (35 mm x 62 mm x 20 mm)
4905-9922	Synchronized Flash Module, Class A (Style Z) operation		

Accessories

Model	Description	Dimensions
2905-9946	Tile Bridge	See diagram on page 4

Installation Reference



S/V Specifications

Strobe Specifications

Rated Voltage Range	UL Listed Range	Regulated 24 VDC; see Notes 1 below		
	ULC Listed Range	20 VDC to 30 VDC per ULC S526-M87		
Flash Rate and Synchronized NAC Loading		1 Hz; with up to 35 synchronized strobes maximum per NAC		
Maximum RMS Current Rating per Strobe Output (see Note 2 below)		15 cd	30 cd	110 cd
		90 mA	128 mA	285 mA
Reference Currents at other voltages	18 VDC	80 mA	114 mA	253 mA
	24 VDC	60 mA	85 mA	190 mA

Speaker Specifications

Input Voltage		25 or 70.7 VRMS, see Note 3 below			
Power Taps		1/4, 1/2, 1, and 2 W			
Fire Alarm Frequency Response		400 to 4000 Hz			
Speaker Output Ratings (dBA) @ 10 ft (3 m)	Wattage Tap	1/4 W	1/2 W	1 W	2 W
	UL 1480 Reverberant Chamber Rating	79	82	85	88

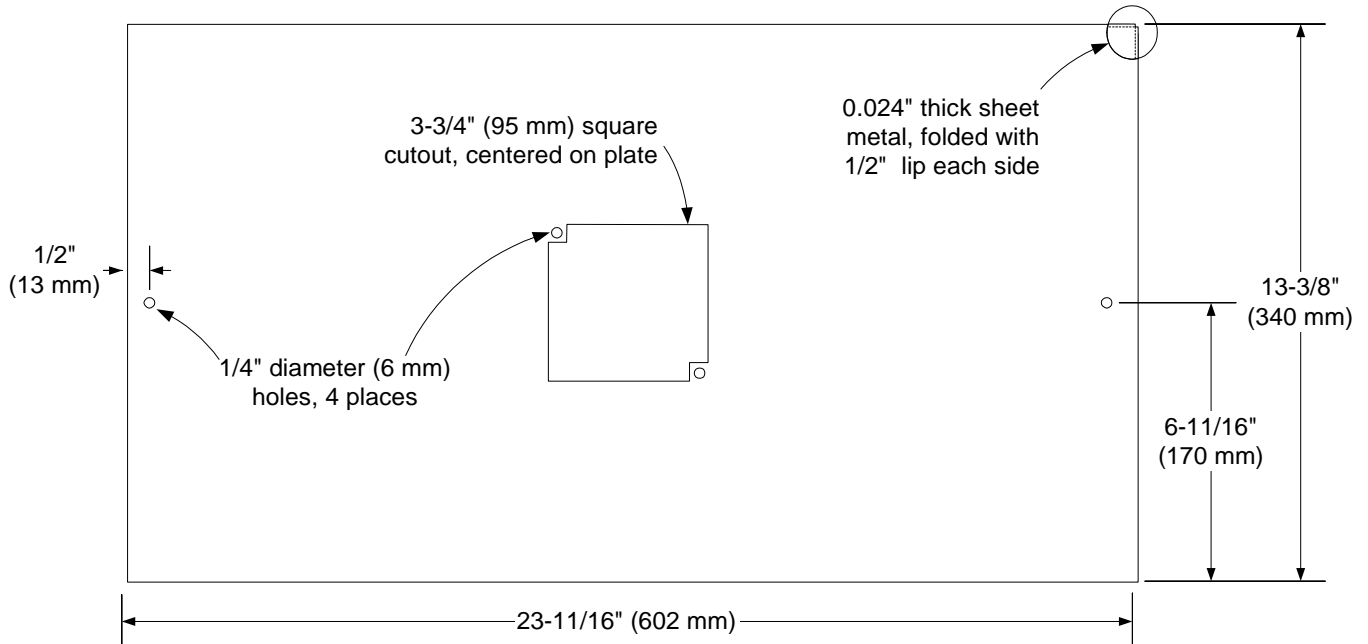
General Specifications

Housing Dimensions (including lens)	7-1/4" H x 5" W x 2-5/8" D (184 mm x 127 mm x 67 mm)
Depth into Box	2-1/4" (57 mm)
Speaker Tap Selection	Single jumper wire with pressure connector, attaches to one of 8 terminals
Temperature Range	32° to 122° F (0° to 50° C)
Humidity Range	10% to 93%, non-condensing at 100° F (38° C)
Connections	Terminals for 18 to 12 AWG (0.82 mm ² to 3.31 mm ²), separate terminals for speaker and strobe connections
Installation Instructions	579-326

NOTES:

1. "Regulated 24 VDC" refers to the voltage range of 16 to 33 VDC per UL Standard 1971, Signaling Devices for the Hearing Impaired, changes effective May 1, 2004. This voltage range is the absolute operating range. Operation outside of this range may cause permanent damage to the appliance. Please note that 16 VDC is the lowest operating voltage that is allowed at the last appliance on the NAC under worst case conditions. The strobe of this A/V is field selectable for free-run or synchronized operation.
2. The maximum RMS current listed is the device nameplate rating. Strobe designs are constant wattage and the maximum RMS current rating occurs at the lowest allowable operating voltage. (RMS is root mean square and refers to the effective value of a varying current waveform.)
3. Speakers are for connection to conventional fire alarm audio circuits.

2905-9946 Tile Bridge



TYCO, SIMPLEX, and the product names listed in this material are marks and/or registered marks. Unauthorized use is strictly prohibited. NFPA 72 and National Fire Alarm and Signaling Code are registered trademarks of the National Fire Protection Association (NFPA).



Tyco Fire Protection Products • Westminister, MA • 01441-0001 • USA
www.simplex-fire.com

S4903-0019-5 5/2014

© 2014 Tyco Fire Protection Products. All rights reserved. All specifications and other information shown were current as of document revision date and are subject to change without notice.