

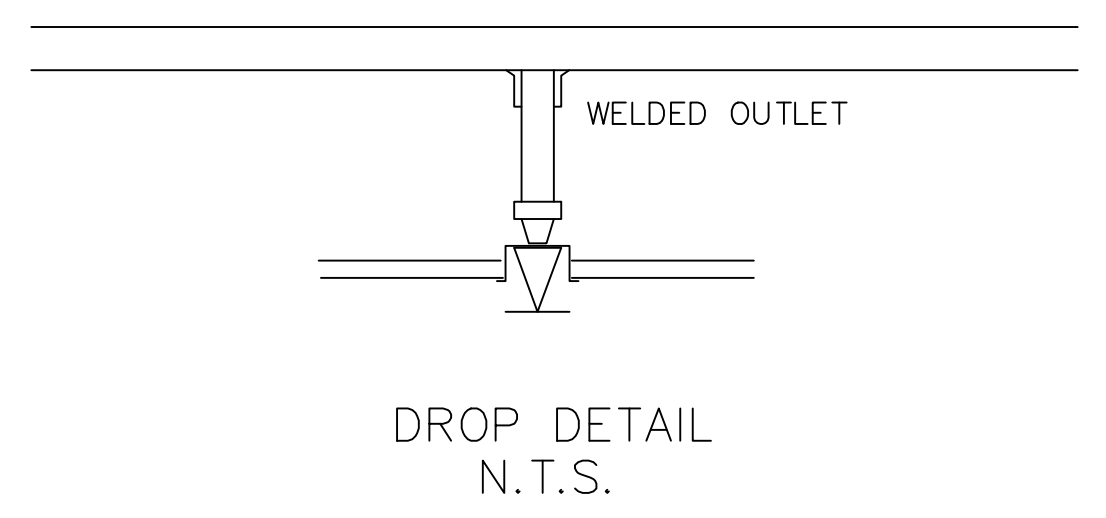
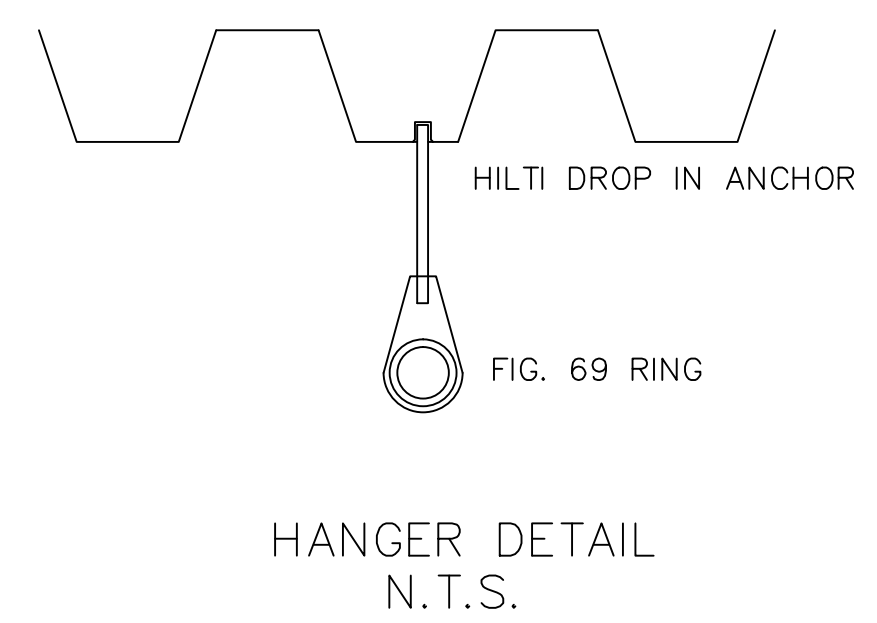
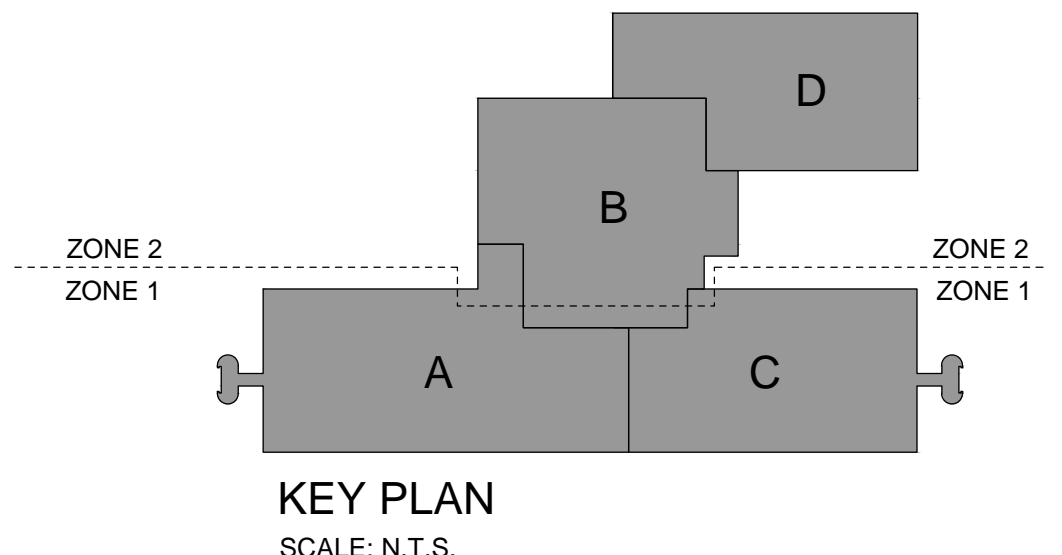
- EXISTING CEILING FIXTURES LEGEND:**
- DIRECT/INDIRECT FLUORESCENT LIGHT - INCLUDES NITE AND EMERGENCY LIGHTS
 - LINEAR PENDANT LIGHT
 - FLUORESCENT LIGHT TROFFER
 - FLUORESCENT LIGHT - LENSED
 - PLENUM VENTS (SIZES VARY)
 - LINEAR FLUORESCENT LIGHT TUBE
 - RECESSED CAN
 - DIFFUSER
 - SPEAKER
 - SMOKE DETECTOR
 - SPRINKLER HEAD
 - DIRECTIONAL EXIT SIGN - FILL INDICATES EXIT ARROW
 - CEILING MOUNTED STROBE/HORN
 - WALL MOUNTED SECURITY CAMERA
 - CEILING MOUNTED SECURITY CAMERA

- NEW CEILING FIXTURES LEGEND:**
- NEW OR RELOCATED FLUORESCENT LIGHT
 - NEW OR RELOCATED RECESSED CAN
 - NEW OR RELOCATED DIFFUSER
 - SECURITY CAMERA - SEE ELECTRICAL DRAWINGS FOR TYPE AND POSITION
 - NEW SMOKE DETECTOR

- 2 HR RATED WALL
- 1 HR RATED WALL
- NEW OR RELOCATED DIRECTIONAL EXIT SIGN
- BETACALCO: DNA - CEILING MNTD LIGHT FIXTURE
- 6"x4" LINEAR LIGHT FIXTURE
- COLORED LED LIGHT STRIP
- SQUARE RECESSED LIGHT

SCALE : 1/8" = 1'-0"

GROUND FLOOR



SYSTEM CLASSIFICATION

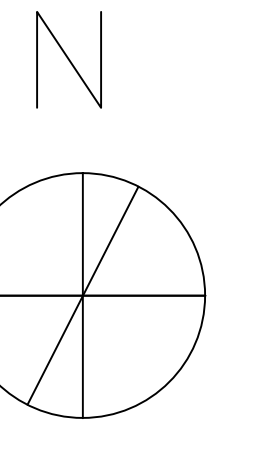
A WET PIPE HYDRAULICALLY CALCULATED SPRINKLER SYSTEM TO BE INSTALLED IN ALL AREAS OF THE GROUND FLOOR ONLY TO MEET NFPA, STATE OF MAINE, AND CITY OF PORTLAND CODES. UPPER FLOORS TO BE FULLY SPRINKLERED IN FUTURE AS AGREED BETWEEN OWNER AND AUTHORITIES HAVING JURISDICTION. SYSTEM MAINS TO BE SIZED TO ACCOMMODATE FUTURE EXPANSION TO THE GROUND LEVEL SHALL BE DIVIDED INTO TWO SEPARATE ZONES OF SPRINKLERS, AS WILL THE UPPER FLOORS AS THE SYSTEM IS EXTENDED IN FUTURE TO UPPER LEVELS PER OWNERS SCHEDULE. EACH FLOOR LEVEL SHALL UTILIZE FLOOR CONTROL STATIONS LOCATED IN COMMON AREAS ABOVE ATC. FLOOR CONTROL STATIONS SHALL BE FED FROM CORRESPONDING ZONE CONTROL RISERS VIA FEED MAIN. ZONE CONTROL VALVES FOR EACH OF THE TWO ZONES SHALL BE LOCATED IN DEDICATED SPRINKLER ROOM ON GROUND LEVEL. WATER SUPPLY TO BE FROM NEW ELECTRIC FIRE PUMP RATED MINIMUM 750GPM AT 50PSI TAKING SUCTION FROM 6" UNDERGROUND FEED MAIN TIED TO 12" CITY MAIN AT STREET FIRE PUMP SUPPLIES SPRINKLER SYSTEM ONLY AND IS SIZED FOR MOST DEMANDING SPRINKLER DESIGN FLOW (EH GP 1) FIRE PUMP SHALL BE EQUIPPED WITH AUTO TRANSFER SWITCH CONNECTED TO BUILDING GENERATOR

SYSTEM IS DESIGNED TO MEET NFPA #13 FOR LIGHT HAZARD IN ALL AREAS EXCEPT AS FOLLOWS:
 FACILITIES SHOP IS CLASSIFIED AS ORDINARY HAZARD GROUP II
 STORAGE AREAS CLASSIFIED AS ORDINARY HAZARD GROUP II
 WITH TOP OF STORAGE HEIGHT LESS THAN TWELVE FEET PER NFPA 13-2010 TABLE 13.2.1
 HIGH DENSITY FILE STORAGE CONSISTS OF COMPACT MOBILE SHELVING LESS THAN EIGHT FEET IN HEIGHT MEETING THE REQUIREMENTS OF NFPA 13 2010 SEC 20.6 AND MAY BE CLASSIFIED AS LIGHT HAZARD.
 PC/PRINTER STORAGE CLASSIFIED AS EXTRA HAZARD I WITH MAX STORAGE HEIGHT 8' OR LESS PER NFPA-13 2010 TABLE 13.2.1 FOR GROUP A PLASTICS IN CARTONS.
 FORM STORAGE & PRINT DISTRIBUTION AREA - ORDINARY HAZARD GROUP II
 LOADING DOCK/RECEIVING AREA - ORDINARY HAZARD GROUP II
 MECHANICAL EQUIPMENT ROOMS - ORDINARY HAZARD GROUP I

ALL HANGER SPACING AND SIZES TO CONFORM TO NFPA #13. FLOORS ABOVE.

GENERAL NOTES

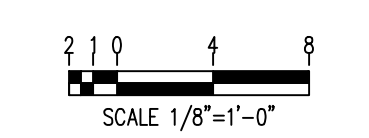
ALL DIMENSIONS ARE CENTER TO CENTER U/N
 ALL SCH. 40 BLACK STEEL PIPE IS THREADED WITH CIB STANDARD WEIGHT FITTINGS
 ALL SCH. 10 BLACK STEEL PIPE IS ROLL GROOVED WITH DUCTILE GROOVED FITTINGS
 EXISTING STANDPIPE SYSTEM TO REMAIN AS IS



LEGEND

- 155' QUICK RESPONSE BRASS UPRIGHT SPRINKLER
- 155' QUICK RESPONSE BRASS UPRIGHT SPRINKLER ON A 1" SPRIG UP
- 200' QUICK RESPONSE BRASS UPRIGHT SPRINKLER
- 155' QUICK RESPONSE WHITE PENDENT SPRINKLER
- 155' QUICK RESPONSE WHITE HORIZONTAL SIDEWALL SPRINKLER
- 155' QUICK RESPONSE BRASS DRY PENDENT SPRINKLER
- 155' QUICK RESPONSE BRASS DRY SIDEWALL SPRINKLER
- OPEN BRASS PENDENT SPRINKLER
- FF k=XX FIN FLR TO CENTERLINE OF PIPE
- BF k=XX BOTTOM OF ROOF FURLIN TO CENTERLINE OF PIPE
- BJ k=XX BOTTOM OF JOISTS TO CENTERLINE OF PIPE
- C k=XX FINISH CEILING TO CENTERLINE OF PIPE
- BST k=XX BOTTOM OF STEEL PORTION OF ROOF TRUSS TO CENTERLINE OF PIPE
- GROOVED PIPE COUPLING
- RISE OR DROP NIPPLE
- RISE OR DROP BETWEEN FLOORS
- HYDRAULIC REFERENCE POINT
- PIPE SIZE AND LENGTH
- LINE OR MAIN NUMBER

- 34 RELIABLE QR F1FR56
- 155' WHITE SEM REC PENDENTS 1/2" X 1/2" K=5.6
- 11 RELIABLE QR F1FR42
- 155' WHITE/BRASS HORIZONTAL SIDEWALLS 1/2" X 1/2" K=5.6
- 160 RELIABLE QR F1FR56
- 155' BRASS UPRIGHTS 1/2" X 1/2" K=5.6
- 3 RELIABLE QR F1FR56 BRASS UPRIGHTS 1/2" X 1/2" K=5.6
- 52 RELIABLE QR F1FR56
- 155' WHITE SEM REC PENDENTS 1/2" X 1/2" K=5.6
- 19 RELIABLE SR GFR VELO-ECOH
- 165' WHITE SEM REC PENDENTS EXTENDED COVERAGE ORDINARY HAZARD 3/4" X 3/4" K=14
- 167 RELIABLE QR J112
- 155' WHITE SEM REC PENDENTS EXTENDED COVERAGE LIGHT HAZARD 3/4" X 3/4" K=11.2



DEAN & ALLYN, INC.
 FIRE PROTECTION - SPECIAL HAZARD
 PO BOX 709, GRAY, MAINE 04039
 (207)657-5646 FAX:(207)657-5647

GROUND FLOOR SPRINKLER ZONE # 1 AREA C

SHEET NO.	DATE	APPROVED BY	DATE	SURVEYED BY	DATE	TITLE
NO. 4 OF 7				DAN	01/15/13	
				DAN	04/29/13	
				TEC	04/29/13	
	04/29/13					
	02/12/13					
	01/22/12					

DANA A. STEWART
 NICET IV - #064544

UNUM BUILDING HO1
 2211 CONGRESS STREET
 PORTLAND, MAINE 04122

NO. OF NEW SPRINKLERS: 112
 NO. OF NEW BRASS UPRIGHTS: 446
 CONTRACT NO.: C121125