

- EXISTING CEILING FIXTURES LEGEND:**
- DIRECT/INDIRECT FLUORESCENT LIGHT - INCLUDES NITE AND EMERGENCY LIGHTS
  - LINEAR PENDANT LIGHT
  - FLUORESCENT LIGHT TROFFER
  - FLUORESCENT LIGHT - LENSED
  - PLENUM VENTS (SIZES VARY)
  - LINEAR FLUORESCENT LIGHT TUBE
  - RECESSED CAN
  - DIFFUSER
  - SPEAKER
  - SMOKE DETECTOR
  - SPRINKLER HEAD
  - DIRECTIONAL EXIT SIGN - FILL INDICATES EXIT ARROW
  - CEILING MOUNTED STROBE/HORN
  - WALL MOUNTED SECURITY CAMERA
  - CEILING MOUNTED SECURITY CAMERA

- NEW CEILING FIXTURES LEGEND:**
- NEW OR RELOCATED FLUORESCENT LIGHT
  - NEW OR RELOCATED RECESSED CAN
  - NEW OR RELOCATED DIFFUSER
  - SECURITY CAMERA - SEE ELECTRICAL DRAWINGS FOR TYPE AND POSITION
  - NEW SMOKE DETECTOR

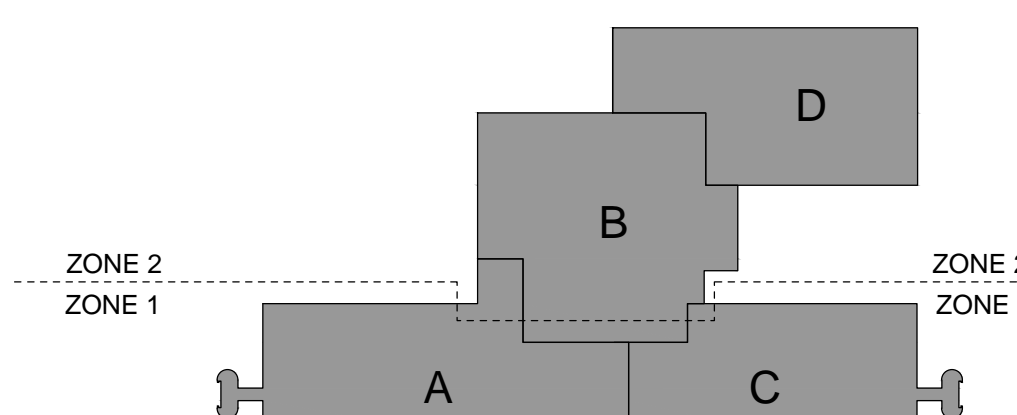
- NEW OR RELOCATED DIRECTIONAL EXIT SIGN
- BETACALCO: DNA - CEILING MNTD LIGHT FIXTURE
- 6"x4" LINEAR LIGHT FIXTURE
- COLORED LED LIGHT STRIP
- SQUARE RECESSED LIGHT

2 HR RATED WALL

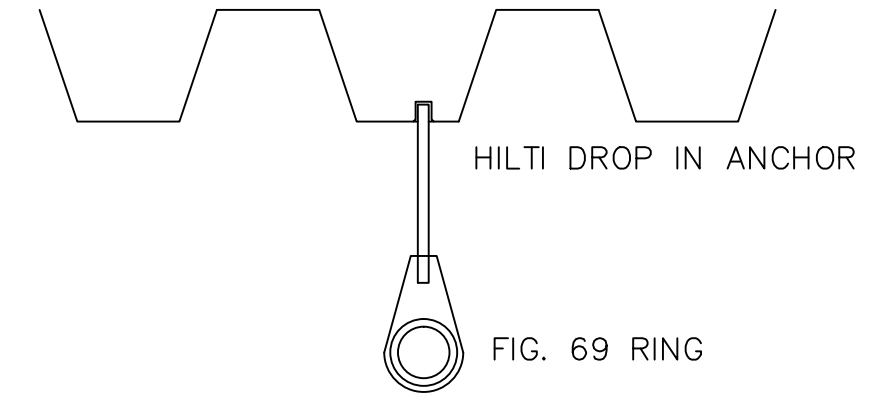
1 HR RATED WALL

SCALE : 1/8" = 1'-0"

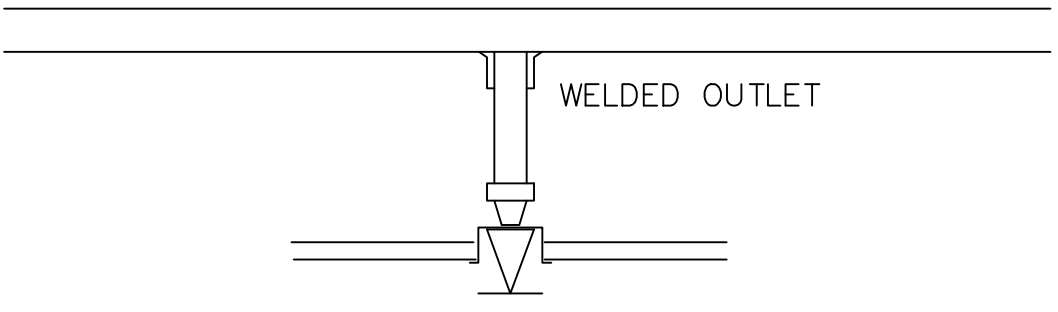
**GROUND FLOOR**



KEY PLAN  
SCALE: N.T.S.



HANGER DETAIL  
N.T.S.



DROP DETAIL  
N.T.S.

**SYSTEM CLASSIFICATION**

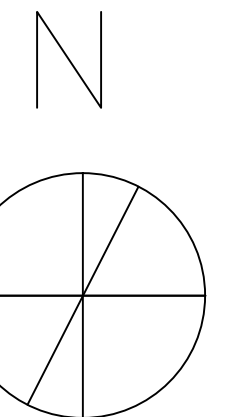
A WET PIPE HYDRAULICALLY CALCULATED SPRINKLER SYSTEM TO BE INSTALLED IN ALL AREAS OF THE GROUND FLOOR ONLY TO MEET NFPA, STATE OF MAINE, AND CITY OF PORTLAND CODES. UPPER FLOORS TO BE FULLY SPRINKLERED IN FUTURE AS AGREED BETWEEN OWNER AND AUTHORITIES HAVING JURISDICTION. SYSTEM MAINS TO BE SIZED TO ACCOMMODATE FUTURE EXPANSION TO THE GROUND LEVEL SHALL BE DIVIDED INTO TWO SEPARATE ZONES OF SPRINKLERS, AS WILL THE UPPER FLOORS AS THE SYSTEM IS EXTENDED IN FUTURE TO UPPER LEVELS PER OWNERS SCHEDULE. EACH FLOOR LEVEL SHALL UTILIZE FLOOR CONTROL STATIONS LOCATED IN COMMON AREAS ABOVE ATC. FLOOR CONTROL STATIONS SHALL BE FED FROM CORRESPONDING ZONE CONTROL RISERS VIA FEED MAIN. ZONE CONTROL VALVES FOR EACH OF THE TWO ZONES SHALL BE LOCATED IN DEDICATED SPRINKLER ROOM ON GROUND LEVEL. WATER SUPPLY TO BE FROM NEW ELECTRIC FIRE PUMP RATED MINIMUM 750GPM AT 50PSI TAKING SUCTION FROM 6" UNDERGROUND FEED MAIN TIED TO 12" CITY MAIN AT STREET. FIRE PUMP SHALL BE EQUIPPED WITH AUTO TRANSFER SWITCH CONNECTED TO BUILDING GENERATOR.

SYSTEM IS DESIGNED TO MEET NFPA #13 FOR LIGHT HAZARD IN ALL AREAS EXCEPT AS FOLLOWS:  
 FACILITIES SHOP IS CLASSIFIED AS ORDINARY HAZARD GROUP II  
 STORAGE AREAS CLASSIFIED AS ORDINARY HAZARD GROUP II WITH TOP OF STORAGE HEIGHT LESS THAN TWELVE FEET PER NFPA 13-2010 TABLE 13.2.1  
 HIGH DENSITY FILE STORAGE CONSISTS OF COMPACT MOBILE SHELVING LESS THAN EIGHT FEET IN HEIGHT MEETING THE REQUIREMENTS OF NFPA 13 2010 SEC 20.6 AND MAY BE CLASSIFIED AS LIGHT HAZARD.  
 PC/PRINTER STORAGE CLASSIFIED AS EXTRA HAZARD I WITH MAX STORAGE HEIGHT 8' OR LESS PER NFPA-13 2010 TABLE 13.2.1 FOR GROUP A PLASTICS IN CARTONS.  
 FORM STORAGE & PRINT DISTRIBUTION AREA - ORDINARY HAZARD GROUP II  
 LOADING DOCK/RECEIVING AREA - ORDINARY HAZARD GROUP II  
 MECHANICAL EQUIPMENT ROOMS - ORDINARY HAZARD GROUP I

ALL HANGER SPACING AND SIZES TO CONFORM TO NFPA #13. FLOORS ABOVE.

**GENERAL NOTES**

ALL DIMENSIONS ARE CENTER TO CENTER U/N  
 ALL SCH. 40 BLACK STEEL PIPE IS THREADED WITH CIB STANDARD WEIGHT FITTINGS  
 ALL SCH. 10 BLACK STEEL PIPE IS ROLL GROOVED WITH DUCTILE GROOVED FITTINGS  
 EXISTING STANDPIPE SYSTEM TO REMAIN AS IS



- LEGEND**
- 155' QUICK RESPONSE BRASS UPRIGHT SPRINKLER
  - 155' QUICK RESPONSE BRASS UPRIGHT SPRINKLER ON A 1" SPRING UP
  - 200' QUICK RESPONSE BRASS UPRIGHT SPRINKLER
  - 155' QUICK RESPONSE WHITE PENDENT SPRINKLER
  - 155' QUICK RESPONSE WHITE HORIZONTAL SIDEWALL SPRINKLER
  - 155' QUICK RESPONSE BRASS DRY PENDENT SPRINKLER
  - 155' QUICK RESPONSE BRASS DRY SIDEWALL SPRINKLER
  - OPEN BRASS PENDENT SPRINKLER
  - FF k=XX FM FLR TO CENTERLINE OF PIPE
  - BF k=XX BOTTOM OF ROOF FURLIN TO CENTERLINE OF PIPE
  - BJ k=XX BOTTOM OF JOISTS TO CENTERLINE OF PIPE
  - C k=XX FINISHED CEILING TO CENTERLINE OF PIPE
  - BST k=XX BOTTOM OF STEEL PORTION OF ROOF TRUSS TO CENTERLINE OF PIPE
  - GROOVED PIPE COUPLING
  - RISE OR DROP NIPPLE
  - RISE OR DROP BETWEEN FLOORS
  - HYDRAULIC REFERENCE POINT
  - PIPE SIZE AND LENGTH
  - LINE OR MAIN NUMBER

- 3 RELIABLE QR F1FR56 BRASS UPRIGHTS 1/2"x1/2" K=5.6
- 34 RELIABLE QR F1FR56 WHITE SEM REC PENDENTS 1/2" X 1/2" K=5.6
- 11 RELIABLE QR F1FR42 WHITE/BRASS HORIZONTAL SIDEWALLS 1/2"x1/2" K=5.6
- 160 RELIABLE QR F1FR56 BRASS UPRIGHTS 1/2"x1/2" K=5.6
- 52 RELIABLE QR F1FR56 WHITE SEM REC PENDENTS 1/2"x1/2" K=5.6
- 19 RELIABLE SR GFR VELO-ECHO WHITE SEM REC PENDENTS EXTENDED COVERAGE ORDINARY HAZARD 3/4"x3/4" K=14
- 167 RELIABLE QR J112 WHITE SEM REC PENDENTS EXTENDED COVERAGE LIGHT HAZARD 3/4"x3/4" K=11.2

**DEAN & ALLYN, INC.**  
 FIRE PROTECTION • SPECIAL HAZARD  
 PO BOX 709, GRAY, MAINE 04039  
 (207)657-5646 FAX: (207)657-5647

**GROUND FLOOR SPRINKLER ZONE # 2 AREA B**

SHEET NO. 3 OF 7	APPROVED BY	DATE	SURVEYED BY	DAN	01/15/13	TITLE
			DRAWN BY	DAN	04/29/13	
	PERMIT	04/29/13	CHECKED BY	TEC	04/29/13	
	APPROVAL REVIEW	09/12/13	AT	DEAN & ALLYN, INC		
	DRAFT REVIEW	01/22/12	SCALE	AS NOTED		
	REVISIONS	DATE				

UNUM BUILDING H01  
 2211 CONGRESS STREET  
 PORTLAND, MAINE 04122

NO. OF NEW SPRINKLERS 196  
 NO. OF NEW SPRINKLERS 446  
 CONTRACTOR C121125