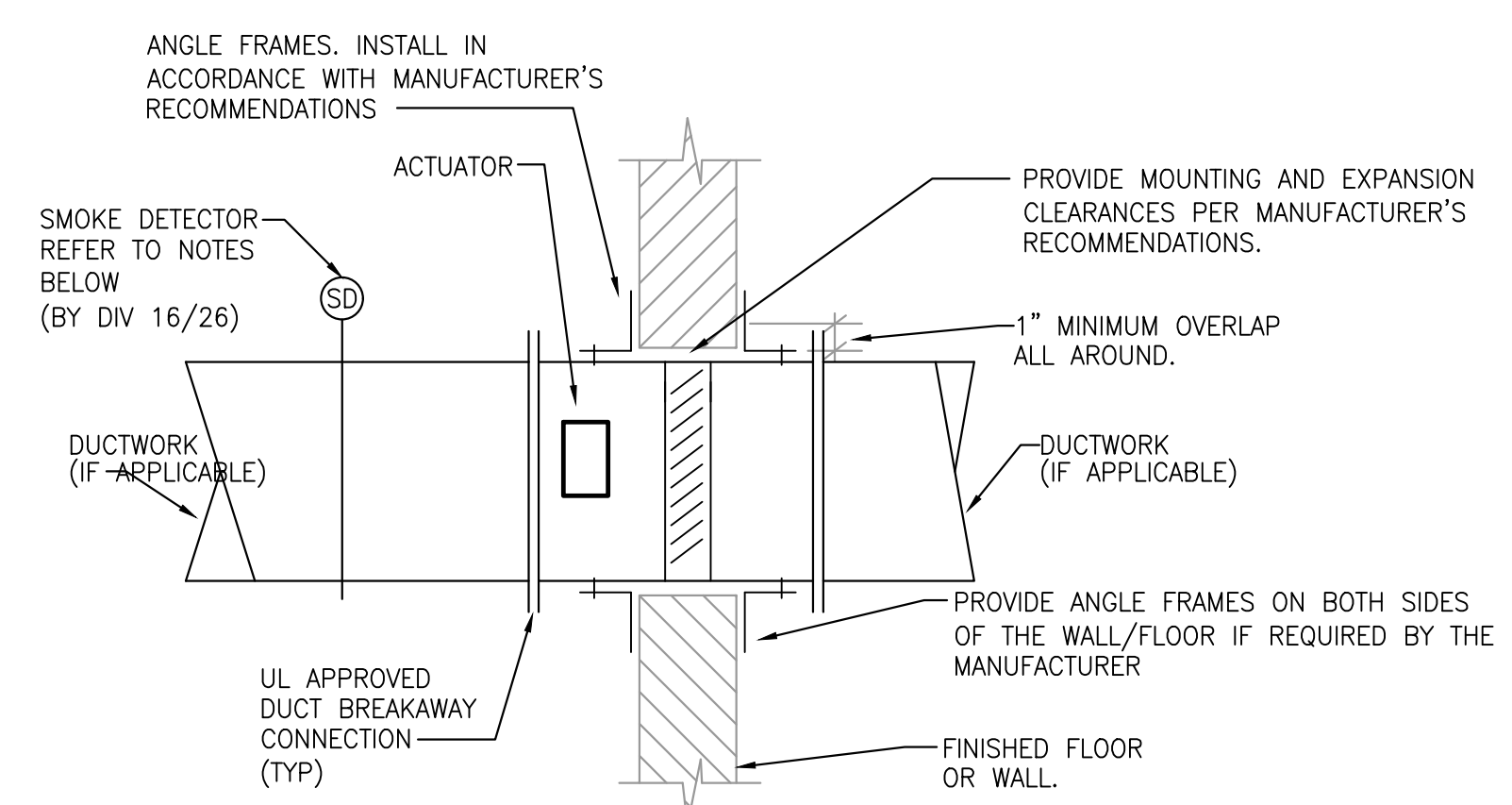
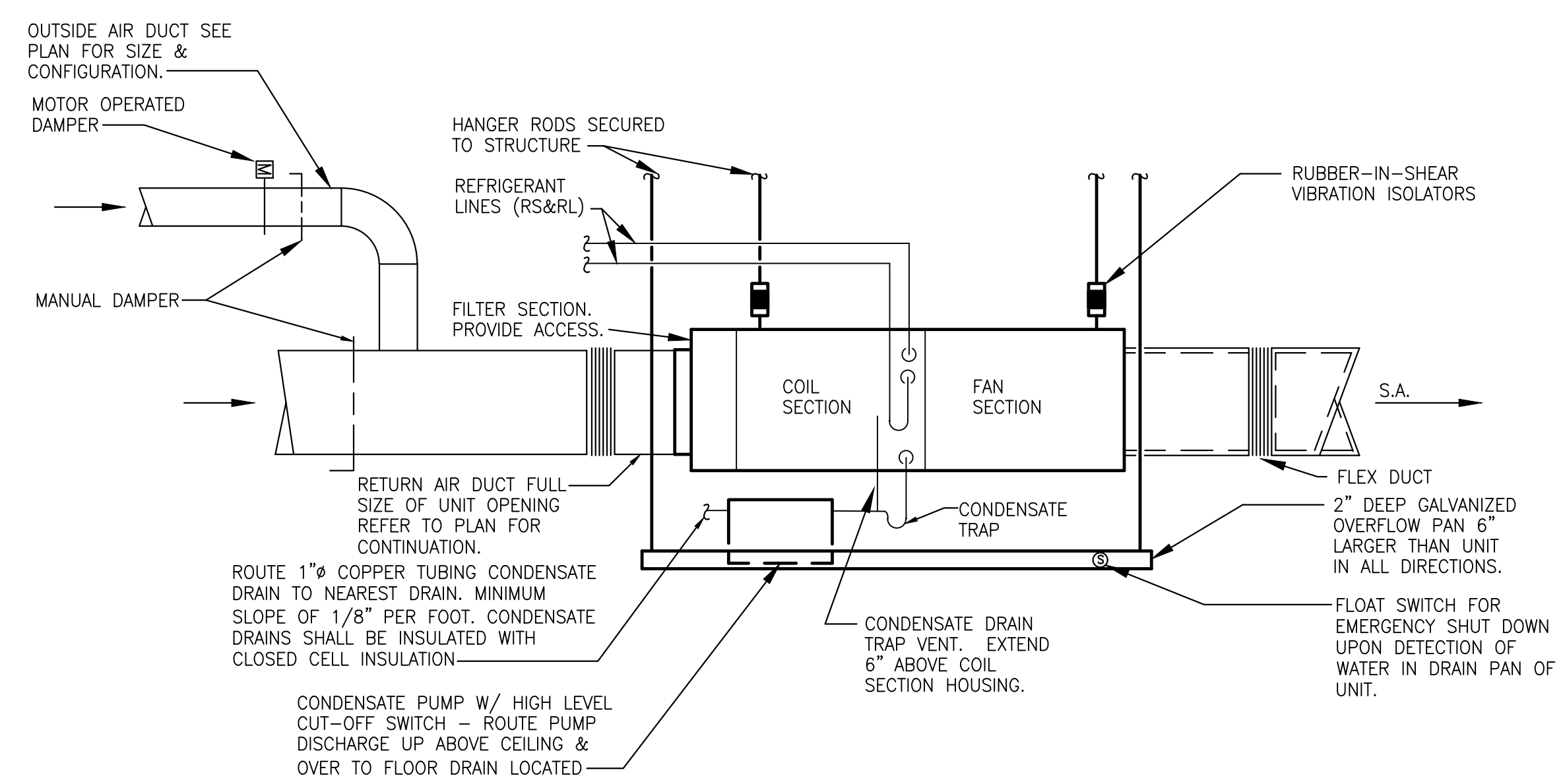


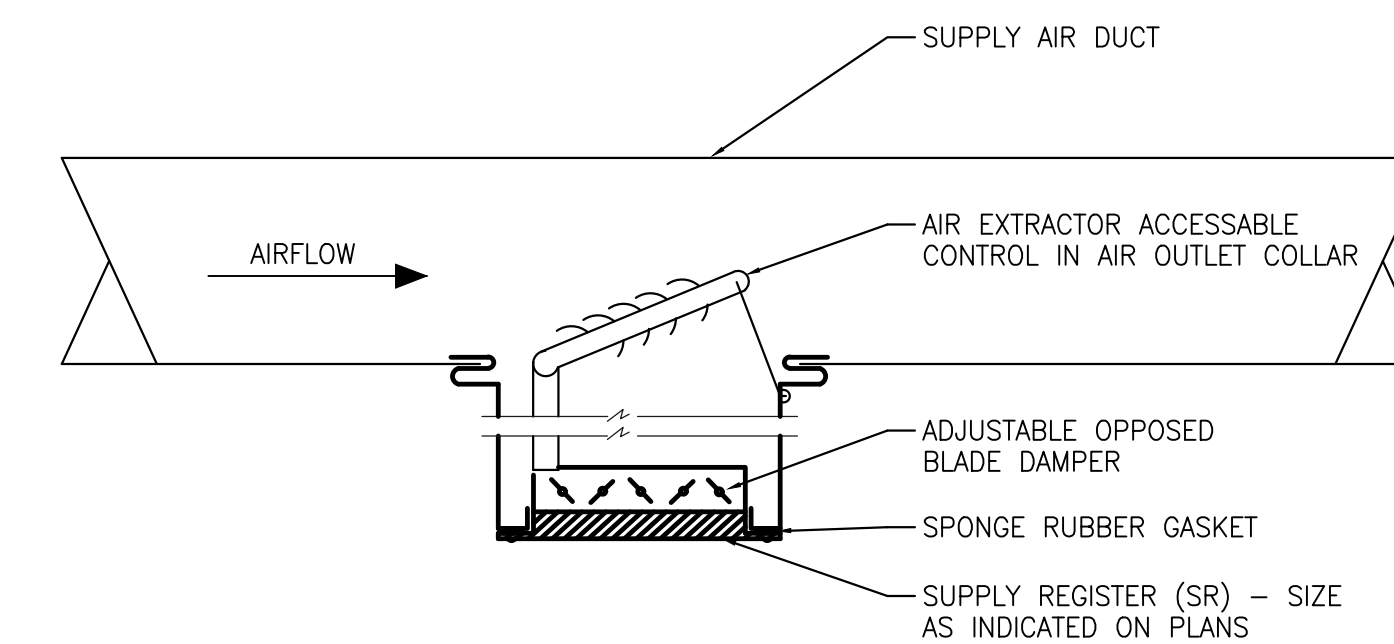
6 HOT WATER COIL PIPING DETAIL
MO.004 SCHEMATIC ONLY



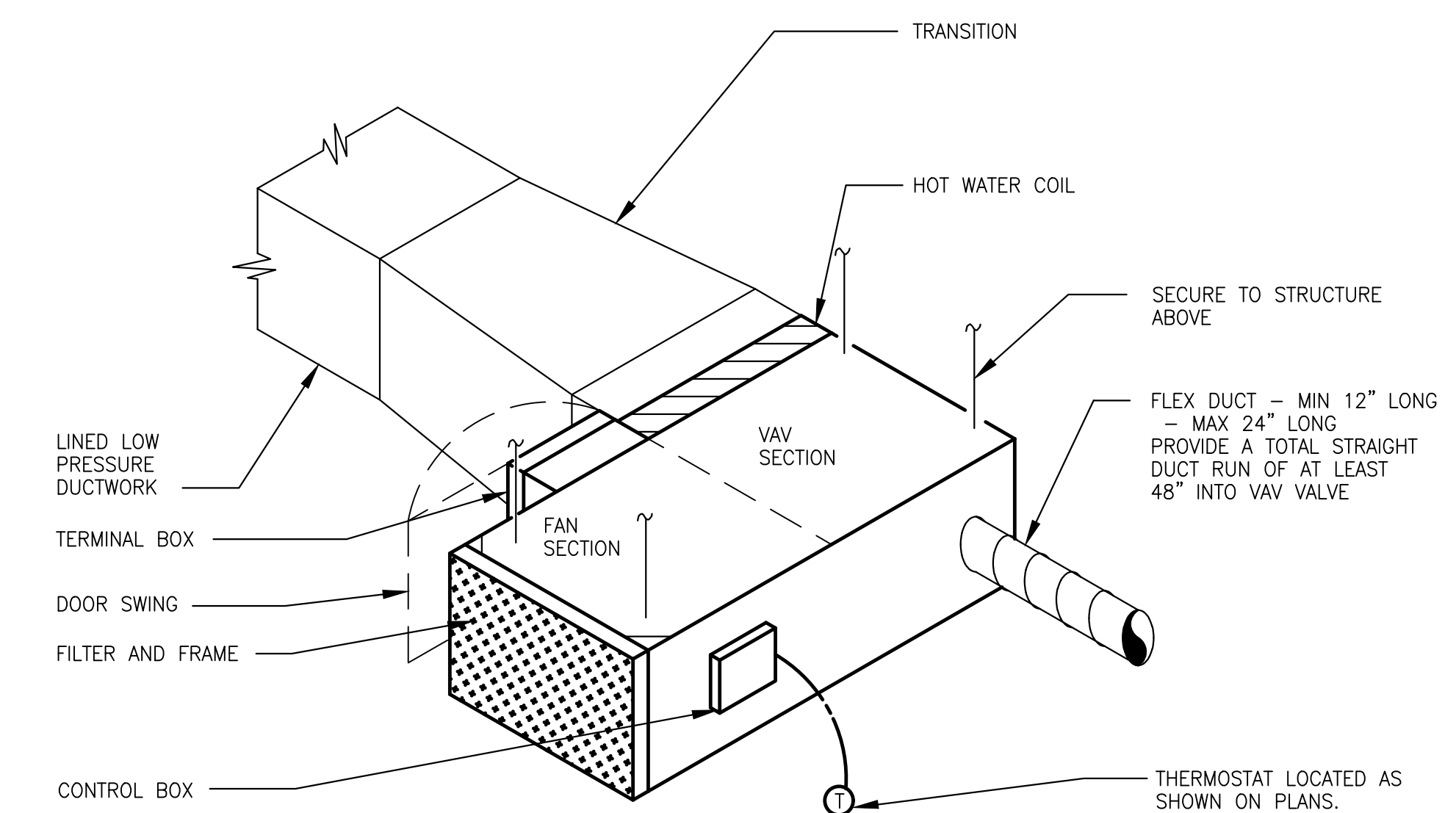
5 FIRE/SMOKE DAMPER DETAIL
MO.004 NO SCALE



4 INDOOR UNIT DETAIL
MO.004 NO SCALE

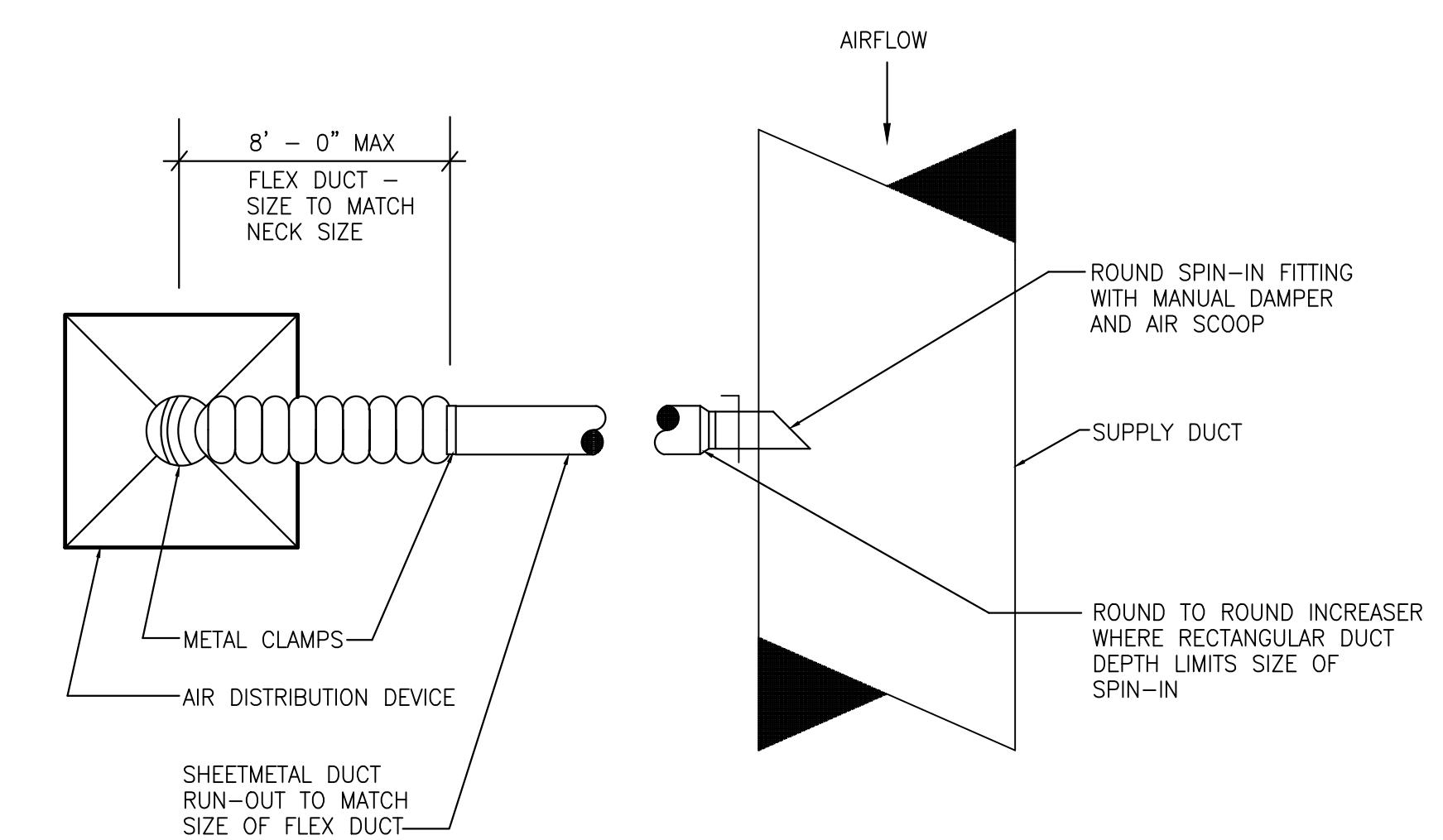


3 REGISTER CONNECTION DETAIL
MO.004 NO SCALE



2 POWERED INDUCTION UNIT
MO.004 NO SCALE

NOTE: 1) VAV UNIT INSTALLATIONS ARE SIMILAR
2) ALL FAN POWERED BOXES SHALL BE INTERLOCKED WITH BASE BUILDING CONTROL TO SHUTDOWN UPON THE DETECTION OF SMOKE PER THE INTERNATIONAL MECHANICAL CODE.



1 DIFFUSER CONNECTION DETAIL
MO.004 NO SCALE

